



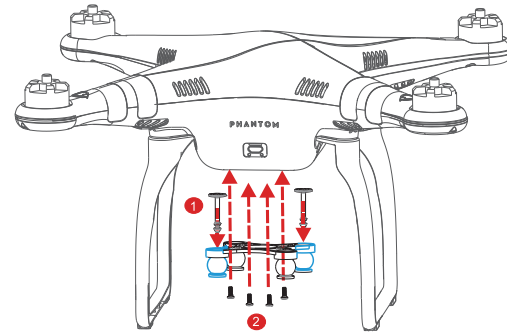
ZENMUSE H4-3D GIMBAL

QUICK START GUIDE 1.0

安装指南

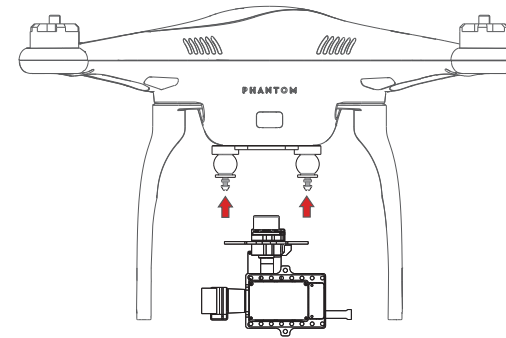
- 1 First, insert the securing pins through the holes on the highlighted diagonal position shown below. Then, attach and secure the upper plate of damping unit to the Phantom 2 airframe with four M3x5 screws.

首先将云台防脱落扣安装在下图中蓝色所标示的位置，然后用4颗M3x5螺丝将减震装置上板安装至Phantom 2机身底部。



- 2 Attach the bottom plate of damping unit to the upper plate of the damping unit through four vibration absorbers. Be sure the lip of the vibration absorbers are properly inserted through the mounting holes of the bottom plate.

将减震装置上板上的四个减震球套入减震下板。

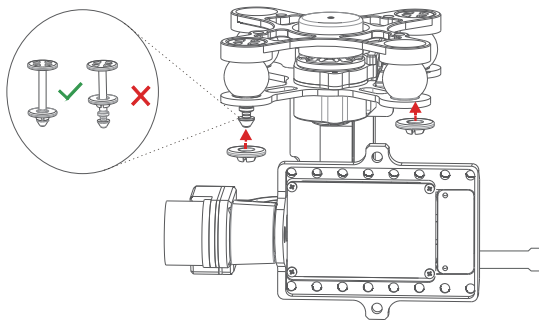


LEARN MORE : WWW.DJI.COM

20141117

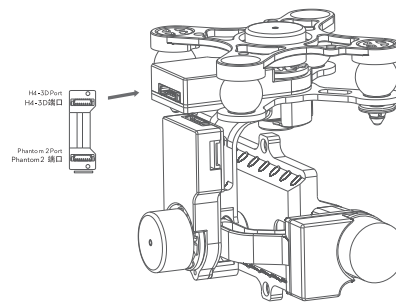
- 3 Firmly insert the securing washers into the securing pins to lock in the damping unit.

将云台防脱落件盘推入云台防脱落扣中，并确保防脱落件之间锁死。



- 4 Plug the 8-pin cable from the Phantom 2 to the Phantom 2 port on the anti-interference enhancement board, then connect the H4-3D port on the anti-interference enhancement board with the 8-pin port on the gimbal via the supplied 8-pin cable. You can either attach the anti-interference enhancement board to the bottom of Phantom 2, or install it inside Phantom 2 housing.

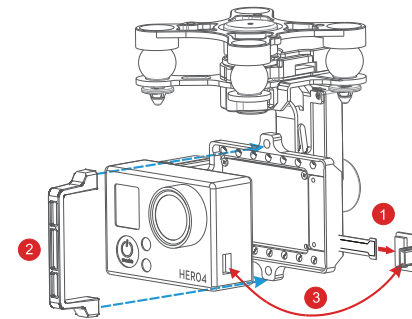
首先，将Phantom 2上的8针线插入到抗干扰加强板的Phantom 2端口，然后，使用8针线连接抗干扰加强板H4-3D端口与云台上8针端口。抗干扰加强板既可安装于机身外，也可安装于机身内部预留位上。



* 8-pin port on the H4-3D gimbal should only be used for connecting to the Phantom 2. Do not connect other devices (such as a video downlink transmitter) to this port, otherwise the gimbal may be damaged.
云台上的8针端口只用于通过标配的8针线连接到Phantom 2。
禁止将其它配件（如5.8G图传发射机）连接到此端口，否则会引起云台故障。

- 5 Connect the video output board with the connection cable from the gimbal, ensure the connection orientation is correct. Mount the camera onto the gimbal and secure the camera with camera bracket by using two M2.5x6.3 screws. Firmly insert the video output board connector into the mini-USB port on camera to complete.

首先，将排线与视频输出板的排线端口相连，确保排线连接方向正确，端口连接紧密。然后，安装相机到云台底座，用2颗M2.5x6.3螺丝拧紧相机固定框。最后，将视频输出板的mini-USB端口插入相机对应端口，并确保端口连接紧密。



* Do not power on the aircraft before mounting the camera onto the H4-3D gimbal, otherwise the gimbal may be damaged.

未安装相机之前，请勿给云台通电，否则将会烧毁云台电机与电调。

- 6 Assembly is finished. Ensure the installed damping unit is aligned parallel with the Phantom 2. Double check and ensure all vibration absorbers are securely fastened and the gimbal is properly assembled prior to use.

安装完成。检查安装，确保减震装置牢固水平地安装于飞行器上，且减震装置上下板平行，确保安装精确牢固。

