

PT-9107S



STEREO TUNER



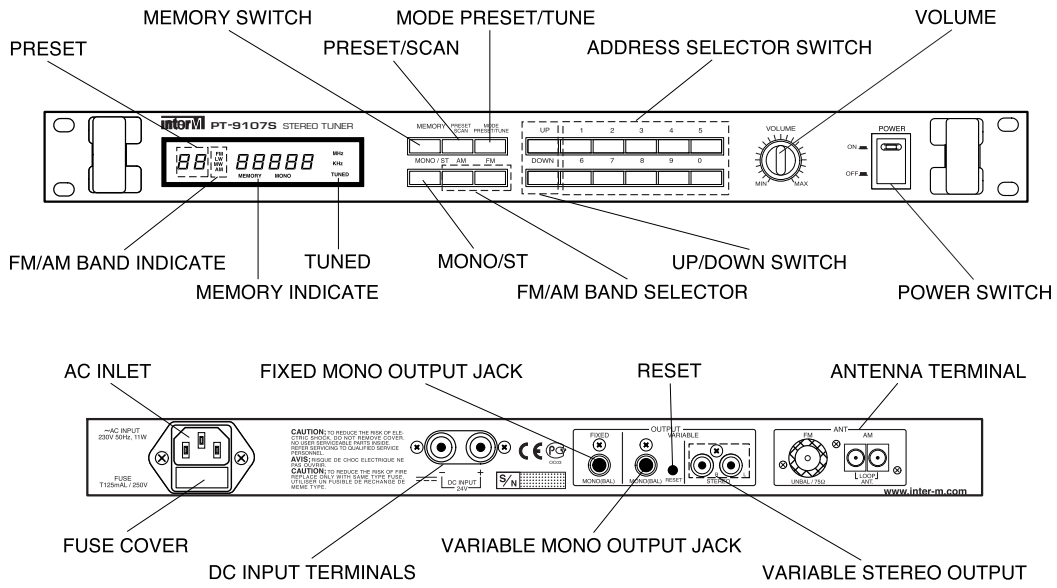
FEATURES

- **HIGH PERFORMANCE FM/AM TUNER**
This tuner incorporated FRONT END with FET, high sensitivity circuitry.
- **FIXED AND VARIABLE OUTPUT**
This unit is provided 1 fixed output and 2 variable output. Variable output is controlled with volume on the front panel.
- **AUTO SCAN, AUTO SCAN MEMORY**
The frequency is increase and decrease by 1 step when you press the UP/DOWN switch, more than 2 sec then the function is change to auto SCAN mode automatically. If MEMORY KEY is that press more than 2 seconds, AUTO SCAN MEMORY function achieve.
- **MONO/STEREO FUNCTION**
- **20 FREQUENCY MEMORIES**
This tuner is able to memory 20 frequencies each AM/FM, and each memorized frequency is accessible during 5 sec by using PRESET SCAN switch.
- **FM STEREO MUTE CIRCUIT**
This unit employed muting circuitry and eliminates noise when tuner is not tuned frequency in stereo state.
- **USE OF EMERGENCY BATTERY**
You can operate this by use of emergency battery for unexpected AC power failure.

SPECIFICATIONS

- **ELECTRICAL** *0dB=0.775Vrms
 - Tuning Range.....FM: 87.5MHz~108MHz
AM: 522kHz~1611kHz
AM: 530kHz~1720kHz (UL/CSA only)
 - Sensitivity.....FM: Less than 3uV
AM: Less than 100uV
 - S/N.....FM: Better than 65dB
AM: Better than 40dB
 - T.H.D.....FM: 0.3%
AM: 1%
 - Output Level
FM.....Mono Balance: 1V (modul. 75kHz)
Stereo: 500mV (modul. 75kHz)
AM.....Mono Balance: 240mV (modul. 30%)
 - Antenna Input.....FM: 75Ω
AM: Loop Ant.
- **GENERAL**
 - Power Source.....AC 100V~240V, DC 24V 50/60Hz
 - Power Consumption.....11W
 - Weight.....3.5kg
 - Dimensions.....482(W) × 44(H) × 280(D)mm

PT-9107S



BLOCK DIAGRAM

