

Daptor One

Wireless Telephone Adapter



Product Overview

Remote Broadcasting gone wireless! Connect Daptor One between the RJ-11 jack on your JK Audio RemoteMix unit and the earpiece / headset jack of your wireless telephone for remote broadcasting over a cell phone.

The Daptor One converts the 2.5 mm headset jack on your cell phone to a modular jack. This RJ-11 jack connects directly to most JK Audio RemoteMix series mixers. You will continue to use your wireless phone to dial or answer the call, but you will use the microphones and headphones plugged into your RemoteMix for sending and receiving audio.

Daptor One's mini-hybrid circuit converts the earpiece and microphone signals into a balanced RJ-11 phone line signal. Mic signals from the RemoteMix are sent into the wireless phone, while the earpiece signals from the wireless phone are sent into the RemoteMix headphones.

****Works with all wireless phones that accept generic third party earpiece / headsets***

****Hybrid circuit minimizes crosstalk***

****No battery or AC adapter needed***

****Durable diecast aluminum construction***

JK Audio

Telephone Interface Products

815-786-2929

1-800-JK-Audio

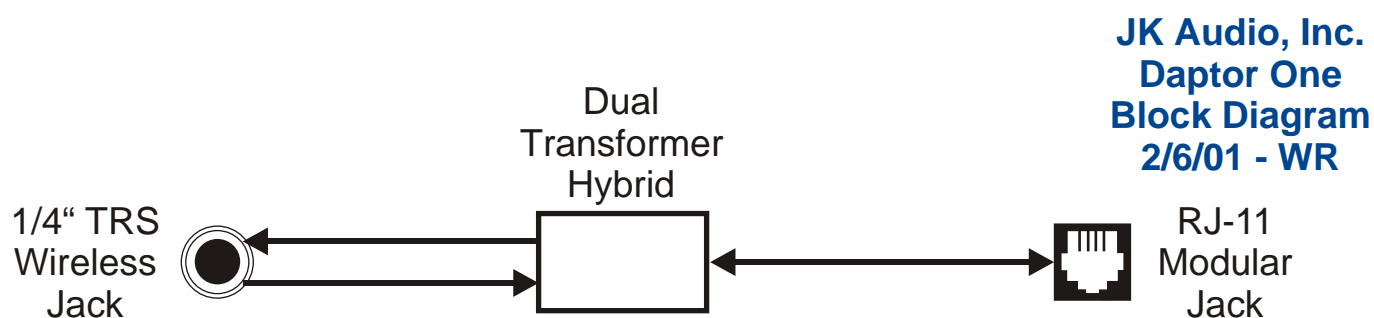
www.jkaudio.com

Daptor One

Wireless Telephone Adapter

Daptor One was designed for use with JK Audio products only. It does not supply the necessary ring voltage or talk battery which may be required by modems or other manufacturers remote consoles. Daptor One is compatible with the following JK Audio products:

RemoteMix C+
RemoteMix 3
RemoteMix 3.m
RemoteMix Sport
RemoteMix 3x4
Innkeeper 1 and 1x Digital Hybrids



Specifications:

Phone Line: RJ-11 modular phone line jack

Interface Jack: 1/4" TRS
includes 1/4" to 2.5 mm cable, tip and ring reversed

Size: 3.6" x 1.6" x 1.3" (9.2 x 4.1 x 3.3cm)

Weight: 6 ounces

JK Audio

Telephone Interface Products

815-786-2929

1-800-JK-Audio

www.jkaudio.com