

# RemoteMix 3

## Phone Line / Handset Interface

### Product Overview

RemoteMix 3 is a combined phone line hybrid mixer and universal handset interface. We combined an audio mixer, headphone amplifier, telephone hybrid, and PBX telephone interface in one rugged unit. It's perfect for remote broadcasts, sporting events, and field reporting from any location.



Simply plug the RemoteMix 3 into an analog phone line, connect a couple of microphones and headphones, and you're ready to call into the station. In your headphones, you will hear a mix of both microphones and the line in jack, as well as the audio coming back from the other side of the phone call. This headphone mix also comes out the back of the unit on an RCA jack and an XLR balanced jack, which are adjustable from line level to mic level for PA system or tape deck feeds. The built in time-delayed peak limiter and VU meter help to control transmit levels, while the built-in push-to-talk condenser microphone and monitor speaker are a real help during equipment set-up and station breaks.

*Universal Handset Interface* - Ever get to a remote site that uses ISDN or a digital PBX phone system? You don't have to worry any more. Simply unplug the handset from the existing telephone and plug the coily cord directly into the PBX jack on RemoteMix 3. Select the handset type with the three position switch and you're ready to go. RemoteMix 3 can emulate electret, dynamic and carbon handset microphone types. This will allow you to use your professional microphones and headphones during the broadcast.

# JK Audio

Telephone Interface Products

815-786-2929

1-800-JK-Audio

[www.jkaudio.com](http://www.jkaudio.com)

# RemoteMix 3

## Phone Line / Handset Interface

### Features

**Two XLR Microphone Inputs** with independent level controls. Mic 1 input is mic / line switchable.

**Two 1/4" Headphone Jacks** adjustable with "Headphones" control.

**RCA Line Input** accepts line level signals. Adjustable with the "Line In" control.

**RCA Line Output** delivers a line level signal containing the phone + mic mix. Adjustable to mic level with the "Line Output" control.



**Balanced XLR Output** delivers a line level signal containing the phone+ mic mix. Adjustable to mic level with the "Line Output" control.

**Universal Handset Interface** for use with analog and digital PBX or ISDN telephones. Three position switch will emulate electret, dynamic and carbon handset microphone types. This will allow you to use your professional microphones and headphones with virtually any telephone system.

**RJ-11 Jack** for use with conventional phone lines. Also has an auxiliary handset input for use as a standard telephone. Handset jack is biased for electret microphone types.

**Time Delayed Peak Limiter and VU Meter** help to control transmit levels. The peak limiter has a three second delay before clipping any audio. This allows for normal speech patterns as well as brief exclamations to be broadcast unhindered.

**Push to Talk Condenser Microphone and Monitor Speaker** are a real help during equipment setup and station breaks. Microphone push button mutes speaker to eliminate feedback and switch disables speaker entirely after setup is complete.

**Two 9 Volt Batteries** will power the unit for 36 hours. The batteries are installed parallel so the unit can run on only one battery if necessary. An AC adapter is also included with the unit.

**DTMF / Pulse Keypad** for dialing out. Tone / Pulse switch located under the battery door.

**Keypad Lockout Switch** so accidental key presses are not blasted down the phone line during a broadcast.



# JK Audio

## Telephone Interface Products

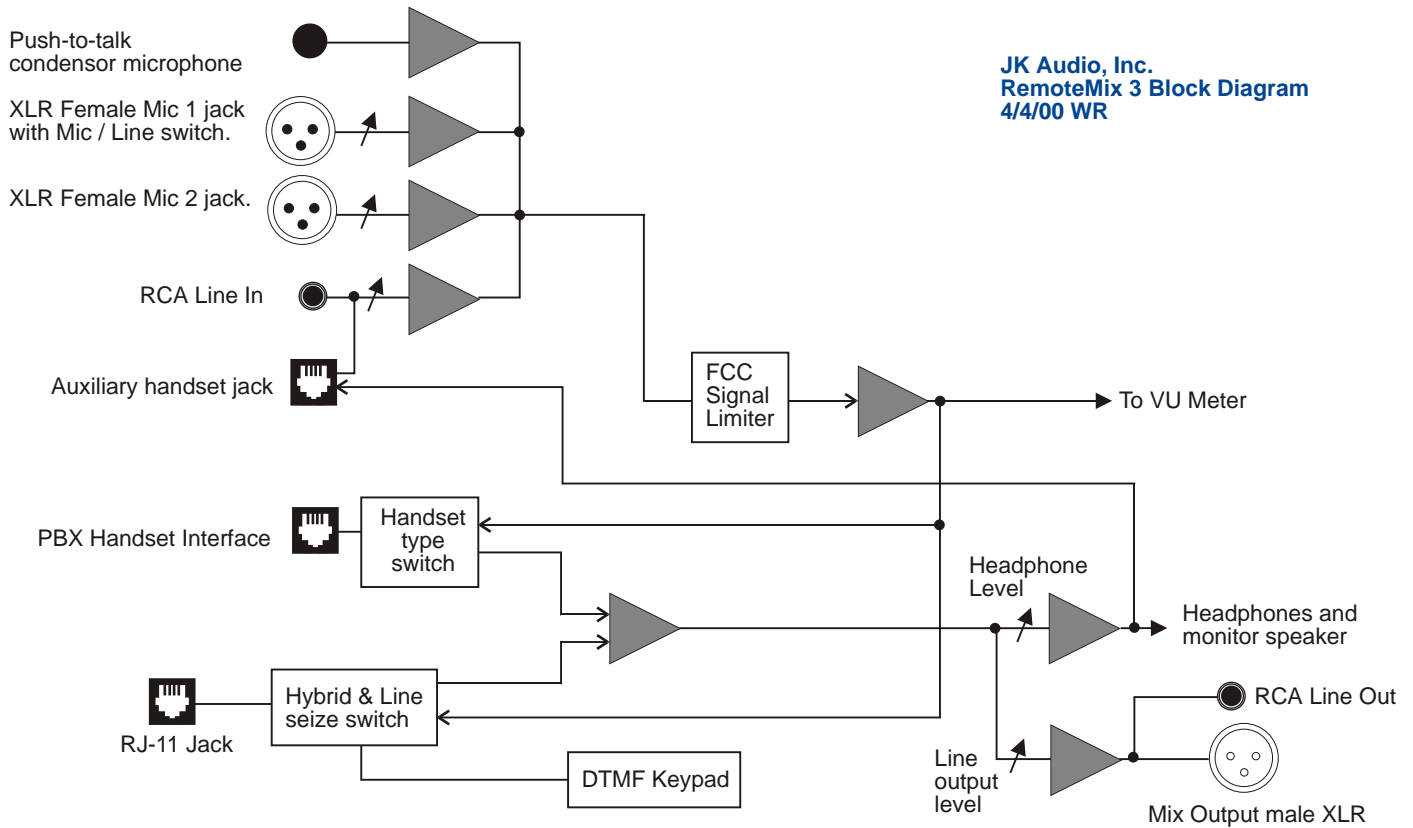
815-786-2929

1-800-JK-Audio

[www.jkaudio.com](http://www.jkaudio.com)

# RemoteMix 3

## Phone Line / Handset Interface



### Specifications:

#### Input

Microphone (2) Female XLR 1 kohm,  
-10 mV RMS (-35 dBm nom.)  
Mic 1 has a Mic/Line switch  
Line= +5 dBm nominal

Line In RCA 20 kohms, 250 mV RMS  
(-10 dBm nom.)

#### Output

Line Out RCA 50 ohms, 250 mV RMS  
(+5 dBm max.)  
Balanced Out Male XLR 200 ohms, 500 mV RMS  
(+12 dBm Max.)  
Headphones (2) 1/4" Stereo 8 ohms  
1/2 watt per channel

Phone Line Connector RJ11C  
Isolation 1500 VAC  
Ringer 1.2B REN  
Keypad DTMF  
(Dual Tone Multi Frequency)  
/Pulse switchable

Auxiliary Handset Jack, biased for electret  
microphone type handset.

PBX Handset Interface biased for Electret,  
Dynamic, and Carbon handsets.

Size: 6.5" x 4.6" x 2.2"  
(16.5 x 11.7 x 5.6cm)

Weight 2.2 pounds

# JK Audio

Telephone Interface Products

815-786-2929

1-800-JK-Audio

[www.jkaudio.com](http://www.jkaudio.com)