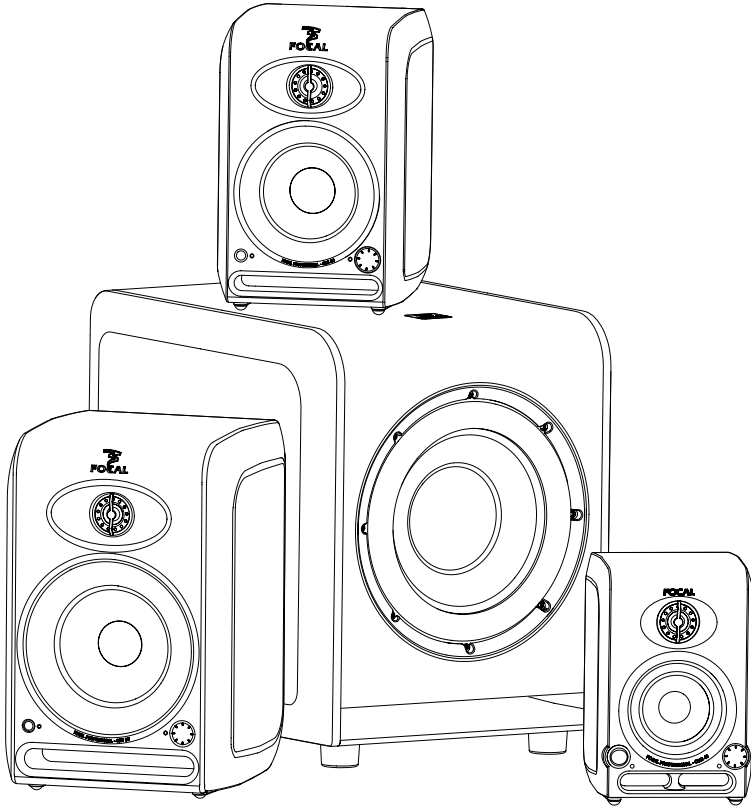


# CMS

User manual / Manuel d'utilisation / 用戶手冊



**FOCAL**<sup>®</sup>  
PROFESSIONAL

Français page 22  
中文41頁

CE



An example of this equipment has been tested and found to comply with the following European directives and international standards: Electromagnetic compatibility EN 55103, EN 61000. Electrical safety EN 60065.

### Caution!

Risk of electric shock

Do not open

Do not expose to rain or moisture



### Important safety information

1. Read these instructions.
2. Keep these instructions.
3. Heed all warnings.
4. Follow all instructions.
5. Do not use this apparatus near water.
6. Clean only with dry cloth.
7. Do not block any ventilation openings. Install in accordance with the manufacturer's instructions.
8. Do not install near any heat sources such as radiators, heat registers, stoves, or other apparatus (including amplifiers) that produce heat.
9. Do not defeat the safety purpose of the polarized or grounding-type plug. A polarized plug has two blades with one wider than the other. A grounding type plug has two blades and a third grounding prong. The wide blade or the third prong are provided for your safety. If the provided plug does not fit into your outlet, consult an electrician for replacement of the obsolete outlet.
10. Protect the power cord from being walked on or pinched particularly at plugs, convenience receptacles, and the point where they exit from the apparatus.
11. Only use attachments/accessories specified by the manufacturer.
12. Use only with the cart, stand, tripod, bracket, or table specified by the manufacturer, or sold with the apparatus. When a cart is used use caution when moving the cart/apparatus combination to avoid injury from tip-over.
13. Unplug this apparatus during lightning storms or when unused for long periods of time.
14. Refer all servicing to qualified service personnel. Servicing is required when the apparatus has been damaged in any way, such as power-supply cord or plug is damaged, liquid has been spilled or objects have fallen into the apparatus, the apparatus has been exposed to rain or moisture, does not operate normally, or has been dropped.
15. **WARNING:** To reduce the risk of fire or electric shock, this apparatus should not be exposed to rain or moisture and objects filled with liquids, such as vases, should not be placed on this apparatus.
16. To completely disconnect this equipment from the mains, disconnect the power supply cord plug from the receptacle.
17. The mains plug of the power supply cord shall remain readily operable.



The lightning flash with arrowhead symbol within an equilateral triangle, is intended to alert the user to the presence of uninsulated "dangerous voltage" within the product's enclosure that may be of sufficient magnitude to constitute a risk of electric shock to persons.



The exclamation point within an equilateral triangle is intended to alert the user to the presence of important operating and maintenance (servicing) instructions in the literature accompanying the product.

The CMS loudspeakers constitute a professional monitoring system and we thank you for choosing Focal. Those products have been designed to combine perfect soundstage, high precision and extended frequency response, in a compact size, suitable for near field monitoring.

### **CMS 40, CMS 50 and CMS 65 Packaging content**

The loudspeaker is supplied with the following elements (apart from this manual):

- 1 power cord
- 4 rubber feet
- 2 adjustable spikes
- 1 rubber table stand
- 1 phase plug (tweeter)
- 1 protection grille for the tweeter with phase plug (we advise you to remove it before listening to the speakers.)
- 1 protection grille for the woofer (we advise you to remove it before listening to the speakers.)
- 1 hook to remove the tweeter and woofer grilles
- 1 guarantee card

Please check that none of these items is missing, and remove all accessories from the box.

To remove the loudspeaker from its box without damage, open the end flaps fully and bend them right back. Then remove the upper cushion and lift the loudspeaker out gently. Inspect the speaker for signs of any possible damage. In the unlikely event of this having occurred, please inform the carrier and supplier. It is a good practice to keep the packaging in case of future transportation.

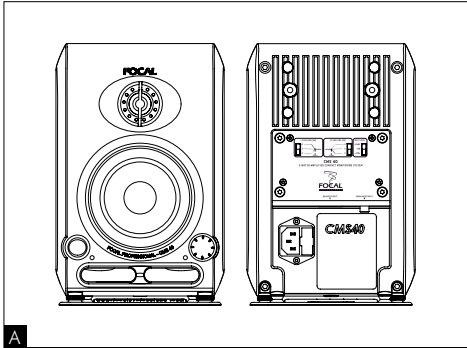
### **Preliminary recommendations**

We would like to give a word of warning about the high sound pressure levels that can be generated by these loudspeakers, especially in a 5.1 configuration. Because of their low levels of distortion, and the minimal fatigue incurred by the user, it is not always obvious to realize the actual sound pressure level while working. Please bear in mind that exposure to excessive levels over a sustained period of time may lead to permanent hearing loss.

### **Warranty**

These products are guaranteed against defects in components and workmanship only, for a period of 2 years. During the warranty period, Focal will, at their discretion, either repair or replace products which prove to be defective, provided that the product is returned, shipping prepaid, to an authorized Focal service facility.

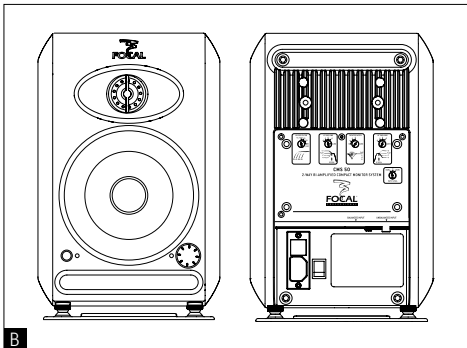
Defects caused by unauthorized modifications, accident, negligence or any misuse are not covered by this warranty. For further information, please contact your dealer or the distributor in your country.



A

### CMS 40

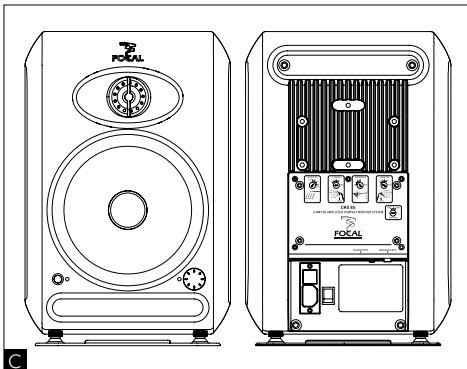
The CMS 40 is an active 2-way near field professional monitoring loudspeaker (2 internal amplifiers), composed of a 4" (10cm) Focal woofer/midrange speaker with a Polyglass cone loaded in a large laminar port and of a Focal inverted dome tweeter in aluminum/magnesium (fig. A).



B

### CMS 50

The CMS 50 is an active 2-way near field professional monitoring loudspeaker (2 internal amplifiers), composed of a 5" (13cm) Focal woofer/midrange speaker with a Polyglass cone loaded in a large laminar port and of a Focal inverted dome tweeter in aluminum/magnesium (fig. B).



C

### CMS 65

The CMS 65 is an active 2-way near field professional monitoring loudspeaker (2 internal amplifiers), composed of a 6.5" (16.5cm) Focal woofer/midrange speaker with a Polyglass cone loaded in a large laminar port and of a Focal inverted dome tweeter in aluminum/magnesium (fig. C).

### Installation



#### Mains voltage

After having unpacked the unit, first check that the operating voltage is correctly set (see location on rear panel). If it is not, adjust the selector to the appropriate position. Also check and if necessary replace the fuse, which rating depends on the operating voltage (**please refer to technical specifications**).

Your products must be earthed using the power cord supplied. **Audio input connections**

The audio signal input is to connect, up to your own choice, whether to the XLR inlet or RCA inlet.

The XLR inlet permits the connection of a source with symmetrical signal and uses standard wiring instructions:

Pin 1 = Ground (shield)

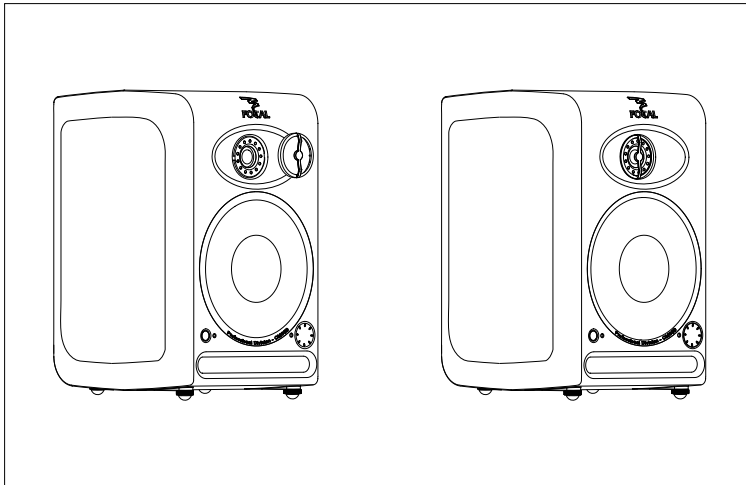
Pin 2 = In phase voltage ("hot")

Pin 3 = Out-of-phase voltage ("cold").

The RCA inlet permits the connection of a source with asymmetrical signal. It's common to link the out-of-phase voltage (Pin 3) to the ground (Pin 1). This connection is generally made at wire level.

#### Tweeter phase plug

The CMS speakers are delivered with grilles for woofer and tweeter. In order to optimize the sound stage precision, we advise you to remove the grilles thanks to the hook included in the packaging. Then, install the phase plug on the tweeter in the vertical position by gently push on the suburbs of the phase plug (see below).



### Positioning

The CMS loudspeakers are near field monitoring loudspeakers and should be positioned at a distance between 40cm and 3 meters from the listener, pointing towards the listening position. They can be sitting on the console top, hung or even placed on appropriate stands. In any way, it is recommended that the tweeter is at a height from the floor approximately equivalent to that of the listener's ears. If required, it can make sense to place the speakers upside down so that the previous rule is better fulfilled.

The CMS loudspeakers could be placed vertically or horizontally depending on the environment, preferably pointing towards the listener (*fig. D, E, F*).

Once the position is defined, you have 2 kinds of feet (4 rubber feet and 2 adjustable spikes) to optimize the loudspeaker positioning (*fig. G, H*). The adjustment of the spike height permits to control the height of the soundstage. The gap and the right/left positioning of each loudspeaker permit to control the width, the centering and the global coherence of the soundstage (left/center/right), at the source of your recording precision.

### Running in

As in all brand new loudspeaker, the drivers need some run-in period: the CMS transducers are mechanical elements demanding a little time to settle and adapt to the climatic environment. This period will vary, depending on the working conditions and may take up to a few weeks. Avoid pushing the speakers very hard during their first hours of use, but to accelerate the run-in process, it is good practice to operate the speakers at moderate levels for 20 hours or so, with programs having significant low frequency content. Only once the transducers have come to stabilize will you get the optimum performance.

### CMS 40, CMS 50 and CMS 65 controls

#### ① HI-PASS FILTER (CMS 50 and CMS 65)

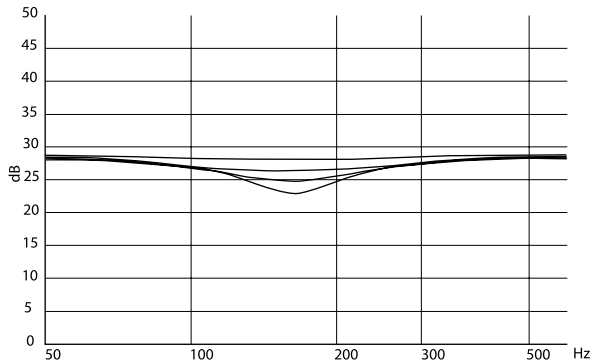
The HI-PASS FILTER rotative switch permits to activate or not the 12dB/octave high-pass filter. We advise you to set the rotative switch on FULL RANGE (deactivate the high-pass filter) in the case of a use in stereo configuration (2.0). We advise you to use the positions 45, 60 or 90Hz in the case of a use of the system with one or several subwoofers.

#### ② LF SHELVING

The LF SHELVING rotative switch permits to activate or not a correction of the sound level under 450Hz. We advise you to set the LF SHELVING rotative switch on +2dB when the premises acoustics naturally softens that frequency range. We advise you to set the LF SHELVING rotative switch on FLAT when the premises acoustics is neutral. We advise you to set the LF SHELVING rotative switch on -2, -4, or -6dB when the loudspeakers are placed next to a wall or an angle.

#### ③ DESKTOP NOTCH (CMS 50 and CMS 65)

The DESKTOP NOTCH rotative switch permits to activate or not a correction of the sound level at a central frequency of 160Hz for a Q factor of 2. We advise you to set the rotative switch on -2, -4 or -6dB when the loudspeakers are positioned on a table, a console or any other support that creates reflections.



#### ④ HF SHELVING

The HF SHELVING rotative switch permits to activate or not a correction of the sound level from 4.5 kHz. We advise you to set it on:

- +2dB when the premises acoustics naturally softens this frequency range (mat environment).
- - FLAT when the premises acoustics is neutral.
- -2 or -4dB when the premises acoustics naturally increases this frequency range (brilliant environment)

#### ⑤ INPUT LEVEL

The INPUT LEVEL rotative switch function is to make the output sensitivity of the mixing console, or any other source, correspond to the input sensitivity of the loudspeakers. The available sensitivities are +4dBu, 0, -10dBv. The +4dBu position corresponds to the professional standard. The -10dBv corresponds to the general public standard. The 0 position is an intermediate position.



### ⑥ FIXING POINTS

The fixing points are made to ensure the link between the loudspeaker and a fixing support (stand, wall fixing, ceiling fixing, ...). Please refer to page 11 to know the compatible fixations (non-exhaustive list).

The thread type are BSW 3/8" for the bottom fixing point of CMS 40 and CMS 50.

The thread type are M6 for the CMS 40, CMS 50 and CMS 65 rear fixing points are M6.

### ⑦ BALANCED INPUT

The XLR inlet permits the connection of a source of balanced signal and follows standard wiring instructions.

Pin 1 = ground (shielding)

Pin 2 = In phase voltage (hot)

Pin 3 = Out-of-phase voltage (cold)

### ⑧ UNBALANCED INPUT

The RCA inlet permits the connection of a source of unbalanced signal. It is common to link the out-of-phase voltage (Pin 3) to the ground (Pin 1). This connection is generally made on the wires.

### ⑨ ON/OFF Switch

The ON/OFF switch permits to put the internal amplifiers ON or OFF.

### ⑩ ON/STANDBY Switch (CMS 50 and CMS 65)

The ON/Standby switch permits to activate or to put the CMS loudspeaker in Mute. The LED is green when the loudspeaker is activated. The LED is red when the loudspeaker is in Standby.

### ⑪ VOLUME

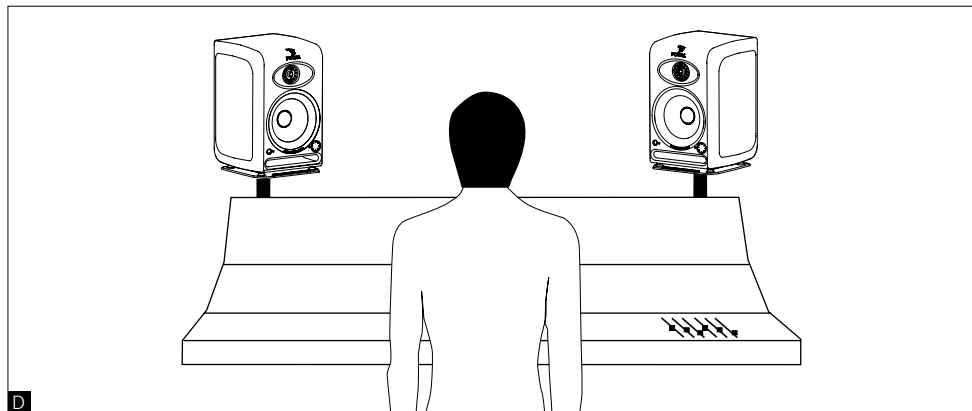
The level rotative switch permits to adjust the level of the CMS loudspeaker. In position 0 (complete counterclockwise rotation), the loudspeaker is in Standby. In position 1 (complete counterclockwise rotation + 1 notch), the softening is of -66dB. The last notch (complete clockwise rotation), corresponds to 0dB.

### ⑫ LED

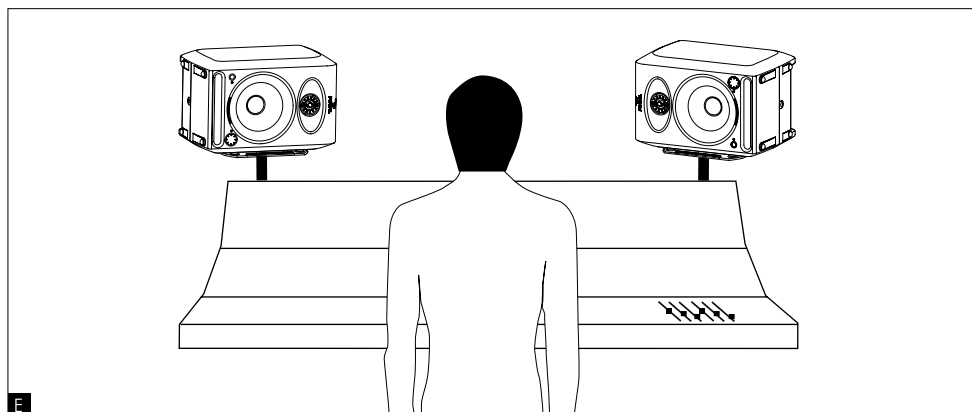
The LED is red when the loudspeaker is in standby. The LED is green when the loudspeaker is activated.

### ⑬ CLIP INDICATOR

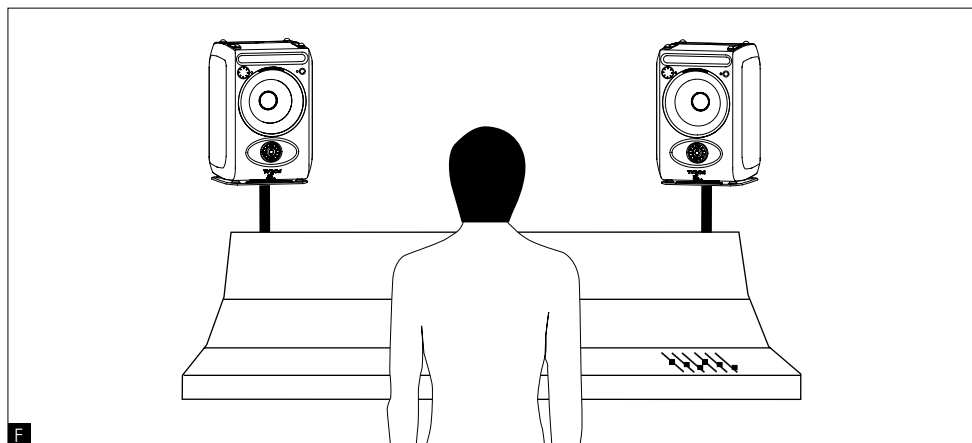
The clip indicator permits to control the audio signal quality. When the LED is lit up, the clip is activated. It means that the signal is saturated and does not permit to work in good conditions. You must avoid activating the clip. To do so, you must reduce the input signal level in the CMS loudspeaker and/or reduce the loudspeaker sound level ⑪



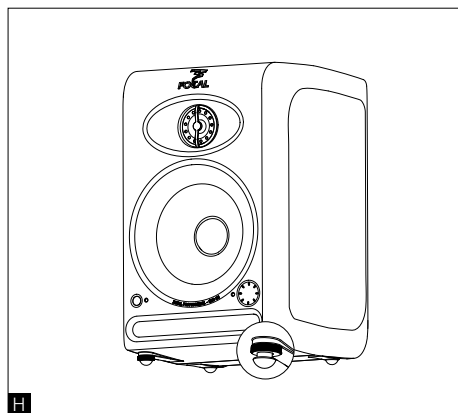
D



E

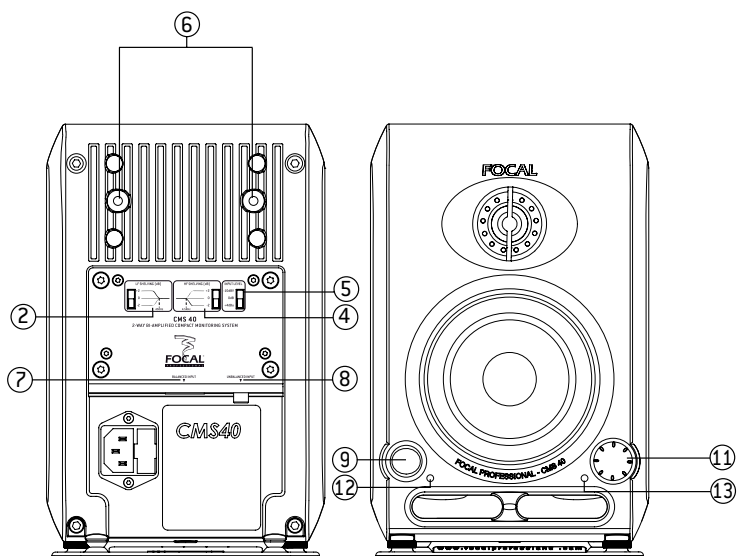


F



### CMS Description

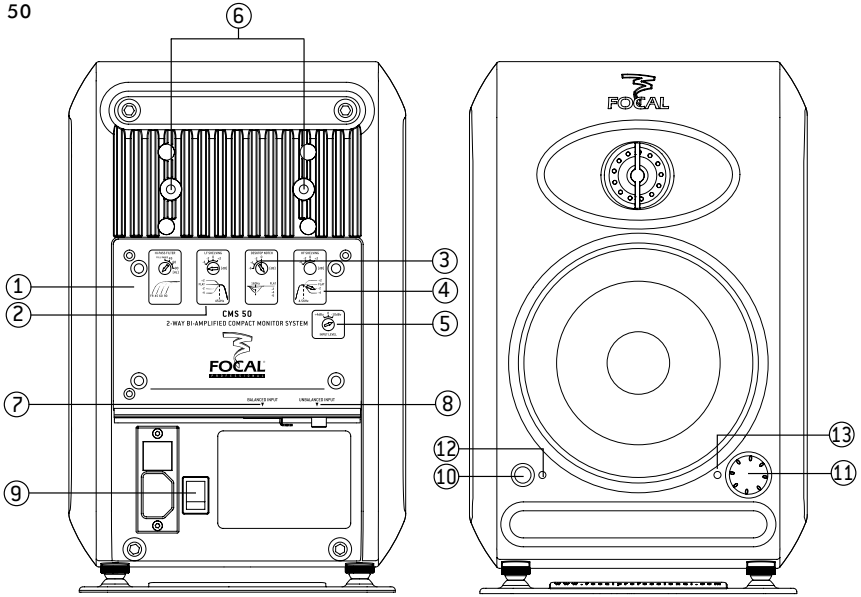
#### CMS 40



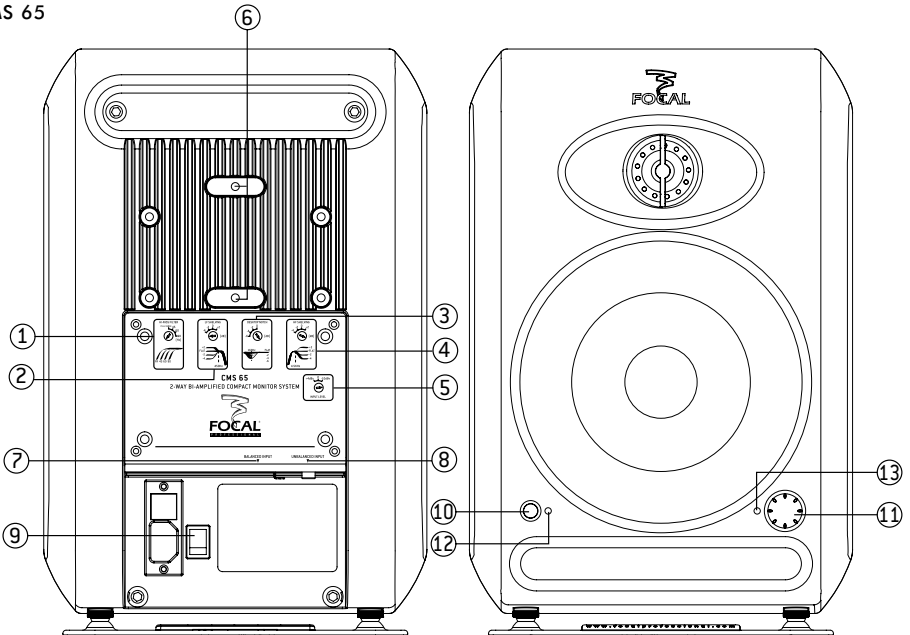
# CMS

## User Manual

CMS 50



CMS 65



### Fixing Accessories

Description	Brand	Reference	CMS 40	CMS 50	CMS 65
Stand (950-1430mm / 37-3/8" - 56-5/16")	K&M	26740	x	x	x
Table stand (micro stand 355-580mm / 14" - 22-13/16")	K&M	23300	x	x	-
Wall fixing (rotating/distance from wall 105mm/ 4-1/8")	K&M	24470	x	x	-
Wall fixing (rotating/distance from wall 105mm/ 4-1/8")	K&M	24471	-	-	x

<b>System</b>	<b>CMS 40</b>
• Frequency response (+/- 3dB)	60Hz - 28kHz
• Maximum SPL	97dB SPL (peak @ 1 m)
<b>Electronic section</b>	
• Input	- Type/Impedance - Connector
• LF amplifier stage • HF amplifier stage	25W rms, class AB 25W rms, class AB
• Power supply	- Mains voltage  - Connection
• User controls	- Sensitivity - Volume - LF shelving (0 - 450 Hz) - HF shelving (4,5 kHz - 20 kHz) - Power ON / OFF
• Indicators	Power ON/OFF LED Audio clip LED
<b>Transducers</b>	
• Woofer	4" Focal drive unit, Polyglass cone
• Tweeter	Aluminium/Magnesium inverted dome Focal tweeter
• Shielding	Integral by compensation magnet
<b>Cabinet</b>	
• Construction	Reinforced and damped die cast aluminum cabinet
• Finish	Black powder coating
• Dimensions with 4 rubber spikes (HxWxD) • Dimensions with rubber table stand (HxWxD)	238x156x155mm (9 <sup>3/8</sup> "x6 <sup>1/8</sup> "x6 <sup>1/8</sup> "*) 243.2x156x155mm (9 <sup>9/16</sup> "x6 <sup>1/8</sup> "x6 <sup>1/8</sup> "*)
• Weight	5.5kg (11 lb)

<b>System</b>		<b>CMS 50</b>
• Frequency response (+/- 3dB)		55Hz - 28kHz
• Maximum SPL		105dB SPL (peak @ 1 m)
<b>Electronic section</b>		
• Input	- Type/Impedance - Connector	Balanced 20 kOhms / Unbalanced 47 kOhms XLR / RCA
• LF amplifier stage • HF amplifier stage		80W rms, class AB 50W rms, class AB
• Power supply	- Mains voltage  - Connection	220-230V (1.6A fuse rating) 120V (3.15A fuse rating) 100V (4A fuse rating) IEC inlet and detachable power cord
• User controls	- Sensitivity - Volume - High-pass filter - LF shelving (0 - 450 Hz) - HF shelving (4.5 kHz - 20 kHz) - Desktop notch at 160 Hz (factor Q = 2) - Power ON / OFF - Standby / ON	Ajustable, +4dBu / 0 / -10dBV Ajustable, -66 dB / 0dB Ajustable, inactive / 45 / 60 / 90 Hz (12dB /oct.) Ajustable, 0 / -4 / -2 / +2dB Ajustable, 0 / -4 / -2 / +2dB Ajustable, 0 / -2 / -4 / -6dB  Power ON / OFF switch, mains voltage selector Standby / ON switch
• Indicators		Power ON/OFF LED Audio clip LED
<b>Transducers</b>		
• Woofer		5" Focal drive unit, Polyglass cone
• Tweeter		Aluminium/Magnesium inverted dome Focal tweeter
• Shielding		Integral by compensation magnet
<b>Cabinet</b>		
• Construction		Reinforced and damped die cast aluminum cabinet
• Finish		Black powder coating
• Dimensions with 4 rubber spikes (HxWxD)		289.5x190x201mm (11.4"x7.5"x7.9")
• Dimensions with rubber table stand (HxWxD)		299.2x190x201mm (11.8"x7.5"x7.9")
• Weight		7,7kg (17 lb)

<b>System</b>		<b>CMS 65</b>
• Frequency response (+/- 3dB)		45Hz - 28kHz
• Maximum SPL		108dB SPL (peak @ 1 m)
<b>Electronic section</b>		
• Input	- Type/Impedance - Connector	Balanced 20 kOhms / Unbalanced 47 kOhms XLR / RCA
• LF amplifier stage • HF amplifier stage		100W rms, class AB 60W rms, class AB
• Power supply	- Mains voltage - Connection	220-230 V [1.6 A fuse rating] 120 V [3.15 A fuse rating] 100 V [4 A fuse rating] IEC inlet and detachable power cord
• User controls	- Sensibility - Volume - High pass filter - LF shelving (0 - 450 Hz) - HF shelving (4,5 kHz - 20 kHz) - Power ON / OFF	Ajustable, +4 dBu / 0 / -10dBV Ajustable, -66 dB / 0dB Ajustable, inactive / 45 / 60 / 90 Hz [12dB / oct.] Ajustable, 0 / -2 / +2dB Ajustable, 0 / -2 / +2dB Power ON / OFF switch
• Indicators		Power ON/OFF LED Audio clip LED
<b>Transducers</b>		
• Woofer		6.5" Focal drive unit, Polyglass cone
• Tweeter		Aluminium/Magnesium inverted dome Focal tweeter
• Shielding		Integral by compensation magnet
<b>Cabinet</b>		
• Construction		Reinforced and damped die cast aluminum cabinet
• Finish		Black powder coating
• Dimensions with 4 rubber spikes (HxWxD)		358.5 x 241 x 231mm [14.1"x9.5"x9.1"]
• Dimensions with rubber table stand (HxWxD)		368.5 x 241 x 231mm [14.5"x9.5"x9.1"]
• Weight		10.5kg [23.1 lb]



# CMS SUB

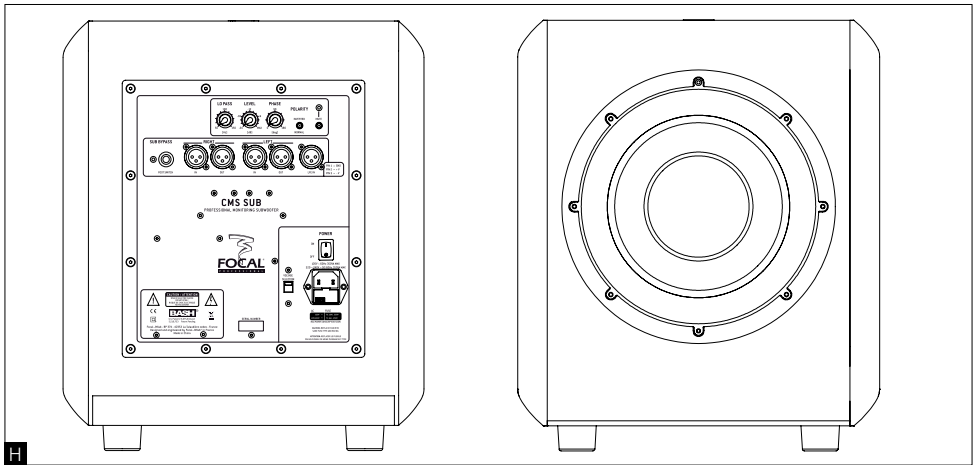
## User Manual

### CMS SUB packaging content

The CMS SUB is supplied with the following elements (apart from this manual)

- 1 power cord
- 1 guarantee card
- 1 protection grille for the subwoofer (we advise you to remove it before listening to the CMS SUB).

The **CMS SUB** is an active subwoofer (1 internal amplifier) designed for Professional monitoring systems. It uses a 11" drive unit equipped with a "Polyglass" cone, and loaded by a large cross-section laminar port.



The CMS SUB may be used :

- for bass or sub-bass enhancement in stereo + sub setups (2.1 or 2.2). The rear panel of the CMS SUB allows for the connection of a traditional stereo source (Left In / Right In).
- as a LFE channel (Low Frequency Effects) in a multi-channel installation (5.1, 5.2, 6.1...), via a dedicated input of the rear panel.

**Audio connections: CMS SUB (fig. J)**

**Stereo + Sub setup (2.1 or 2.2):**

**Left IN:** this input is intended to receive the signal coming from the left channel of your source (mixing console, or other...).

**Right IN:** this input is intended to receive the signal coming from the right channel of your source (mixing console, or other...).

**Left OUT:** this output is intended to connect to the left main loudspeaker of your system. The signal supplied by this output is not internally processed. You have to engage the high pass filter on the CMS monitors to ensure perfect coupling and to avoid overlapping.

**Right OUT:** this output is intended to connect to the right main loudspeaker of your system. The signal supplied by this output is not internally processed. You have to engage the high pass filter on the CMS monitors to ensure perfect coupling and to avoid overlapping.

**Multichannel configuration:**

**LFE:** this input is intended to feed your CMS SUB in a multichannel application (5.1, 5.2, 6.1, ...): this channel is dedicated to low frequencies only.

Optimal positioning of the CMS SUB may vary depending on the surface, the shape and acoustic properties of the listening room.

You are advised to try various locations so to choose the one giving the best possible and most level sound balance. As a rule of thumb the optimal location will often be in a corner of the room.

### CMS subwoofer controls

#### ① LEVEL

This adjustment allows to set the sound level of the subwoofer relative to that of the main loudspeakers. It should also be optimised taking into account the actual location of the subwoofer and its acoustic consequences: for example in an angle the 6 dB acoustic gain should be compensated by an equivalent attenuation to maintain the overall balance of the system.

#### ② MUTE

This switch will turn out the output signal of the subwoofer channel (making it silent does not require to switch the power off).

#### ③ LO PASS

This potentiometer adjusts the cut-off frequency of the low pass filter on the subwoofer channel, thus setting the upper frequency range to be reproduced by the CMS Sub. The goal is to achieve the smoothest frequency response of the whole system: sub + monitors.

#### ④ POLARITY

This switch inverts the signal polarity on the subwoofer channel (ie 180° phase shift).

#### ⑤ PHASE

This potentiometer provides some fine adjustment of the phase on the subwoofer channel. Combined with the polarity switch it can be used to compensate for the spacing between the sub and the main speakers, so to get a coherent soundfield through a proper time alignment of the different sources.

#### ⑥ SUB BYPASS

This input allows for plugging in a control footswitch (not supplied) via a 1/4" jack connector. Turning it active will mute the subwoofer channel. This facility allows for instantaneous comparison between the 2.1 configuration (with sub) and the traditional stereo setup (without sub) with the same system.

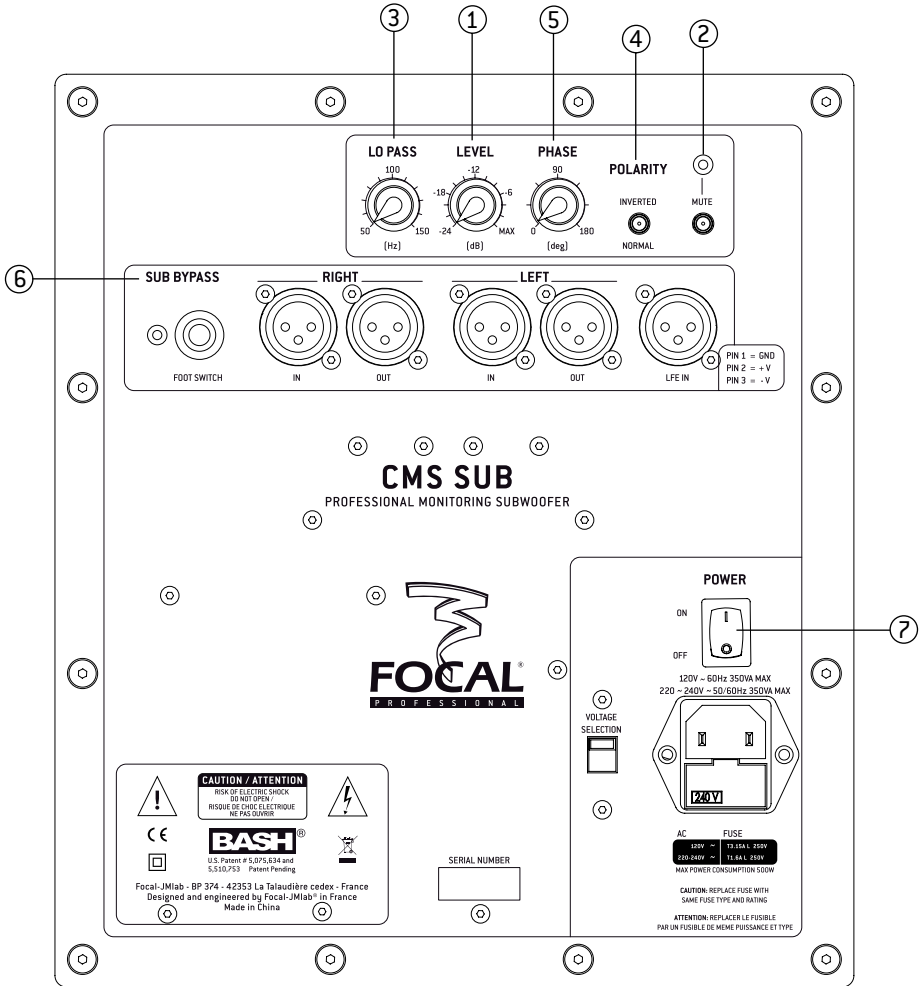
#### ⑦ POWER INDICATOR

Power "LED" indicator

# CMS SUB

## User Manual

(fig. J)



# CMS SUB

## User Manual

21

<b>System</b>	<b>CMS SUB</b>	
• Frequency response (+/- 3dB)	30Hz - 250Hz	
• Maximum SPL	113dB SPL (peak @ 1 m)	
<b>Electronic section</b>		
• Input	- Type/Impedance - Connector - Sensitivity	Left, Right, LFE Electronically balanced / 10kOhms Female 3 pins XLR Variable
• Output (to satellites)	- Connector	Left, Right Male 3 pins XLR in parallel on inputs
• Amplifier	- 300 W rms, BASHtechnology	
• Internal processing and functions	- Subwoofer section	Left + Right mono summation LFE + lo-passed mono sum 24dB/octave variable lo-pass filter Phase adjustment Polarity
• User controls		Sub level (sensitivity) adjustment Lo-pass frequency adjustment Phase adjustment Polarity switch Mute External Mute (controlled by external footswitch)
• Indicators (LED's)		Power on Mute External Mute
• Power supply	- Mains voltage - Connection	230V (T1.6AL fuse rating) or 115V (T3.15AL fuse rating) IEC inlet and detachable power cord

<b>Transducers</b>		
• Subwoofer	Polyglass, high excursion Focal, 270mm (11") drive unit	

<b>Cabinet</b>		
• Construction	22mm MDF panels with internal braces	
• Finish	Dark grey vinyl	
• Dimensions (HxWxD)	435,5mm x 366mm x 440mm (17.1" x 14.4" x 17.3")	
• Weight	23kg (50.7lb)	



Your Focal-JMLab product was developed and manufactured with high-quality materials and components which can be recycled and/or re-used. This symbol indicates that electrical and electronic equipment must be disposed of separately from normal garbage at the end of its operational lifetime. Please dispose of this product by bringing it to your local collection point or recycling centre for such equipment. This will help to protect the environment in which we all live.

Un échantillon de ce produit a été testé et déclaré en conformité avec les directives européennes et autres normes internationales suivantes : Compatibilité électromagnétique EN 55103, EN 61000. Sécurité électrique EN 60065.

### Attention !

Risque de choc électrique

Ne pas ouvrir

Ne pas exposer à l'eau ou à l'humidité



### Informations de sécurité

1. Lire les instructions.
2. Garder la notice.
3. Respecter les instructions.
4. Suivre les intructions.
5. Ne pas exposer cet appareil à la pluie ou à l'humidité.
6. Nettoyer uniquement avec un chiffon sec.
7. Ne pas bloquer les sorties de ventilations. Installer conformément à la notice.
8. Ne pas installer près d'une source de chaleur tel qu'un radiateur, four ou autres appareils produisant de la chaleur (amplificateur compris).
9. Utiliser uniquement le cordon d'alimentation fourni. S'il ne correspond pas à votre prise électrique, contactez un électricien pour qu'il la remplace.
10. Protéger le cordon d'alimentation pour ne pas marcher ou tirer dessus, spécialement à proximité de la prise.
11. Utilisez uniquement les pièces / accessoires spécifiés par le fabricant.
12. Utiliser uniquement les pieds, les systèmes d'attache ou tout autre accessoire spécifiés par le fabricant, ou ceux fournis avec l'appareil. Utiliser avec précaution.
13. Débrancher cet appareil lors des périodes d'orage ou de non utilisation de longue durée.
14. Confier toutes réparations à du personnel qualifié. Une réparation est nécessaire en cas de dégâts, par exemple sur le câble d'alimentation ou la prise, du liquide renversé ou des chutes d'objet sur l'appareil, ou encore si l'appareil a été exposé à la pluie ou présente des moisissures, ou s'il ne fonctionne pas normalement ou a été tombé.
15. ATTENTION : Pour réduire le risque d'incendie ou de choc électrique, cet appareil ne doit pas être exposé à la pluie ou à l'humidité. Tout objet rempli tels que des vases, ne doit pas être posé dessus.
16. Pour vous déconnecter, débranchez la fiche du cordon d'alimentation de la prise.
17. Le cordon d'alimentation doit rester facilement accessible.



ATTENTION : Risque de choc électrique.



ATTENTION : Instructions importantes à lire attentivement.

Les enceintes CMS constituent un système d'écoute de contrôle professionnel et nous vous remercions d'avoir choisi Focal. Ces produits ont été conçus pour allier image sonore impeccable, haute précision et réponse en fréquence étendue, dans un format compact adapté à des écoutes de proximité.

### Contenu d'emballage

Une enceinte est livrée accompagnée des éléments suivants (outre le présent manuel) :

- 1 cordon d'alimentation.
- 4 plots caoutchouc
- 2 pointes réglables
- 1 embase caoutchouc
- 1 pièce de mise en phase (tweeter)
- 1 grille protectrice pour le tweeter avec pièce de mise en phase (notre conseil est de l'enlever pour l'écoute dès qu'il le sera possible.)
- 1 grille protectrice pour le woofer (notre conseil est de l'enlever pour l'écoute dès qu'il sera possible.)
- 1 crochet pour retirer les grilles tweeter et woofer
- 1 carte de garantie

Vérifiez qu'aucun de ces éléments ne manque, et enlevez tous les accessoires du carton.

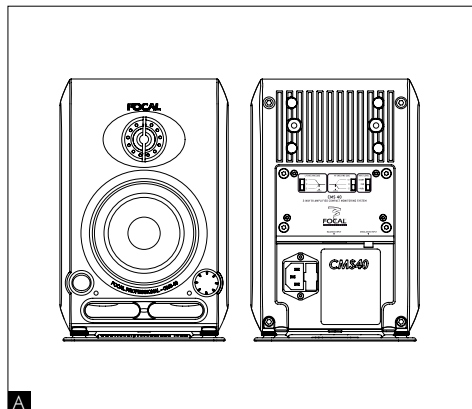
Afin de ne pas endommager vos produits lors de leur déballage, veuillez respecter les étapes suivantes : ouvrir complètement les volets du carton. Les replier sur les côtés. Ôter la protection supérieure. Soulever l'enceinte ou le caisson précautionneusement. Vérifiez que l'emballage ne présente aucun signe de détérioration. Si toutefois il était endommagé, prévenez le transporteur et le fournisseur. Il est important que l'emballage soit gardé en bon état pour d'éventuelles utilisations futures.

### Recommandations

Nous tenons à souligner qu'une pression sonore élevée peut être générée par vos produits, particulièrement en configuration 5.1. Le niveau de distorsion étant faible et le niveau de fatigue de l'utilisateur minime, il n'est pas toujours évident de réaliser la pression sonore réelle. N'oubliez pas que l'exposition à des niveaux sonores élevés, au-delà d'un certain temps, peut conduire à une perte irréversible de l'audition.

### Garantie

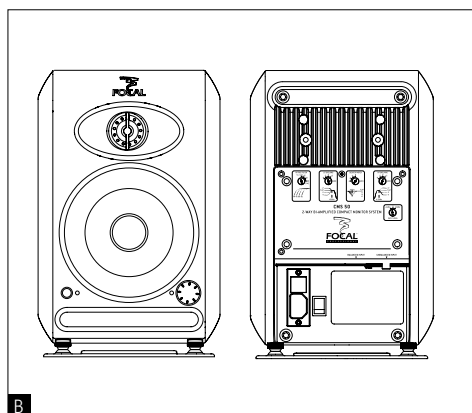
Les enceintes sont garanties pièces et main d'oeuvre pour une période de 2 ans. Pendant la période de garantie, Focal réparera ou échangera le produit défectueux, sous réserve qu'il soit renvoyé, frais de transport payé par avance, à une antenne Focal agréée. Les dommages causés par des modifications du produit, accidents, négligence ou mauvaise utilisation ne sont pas couverts par la garantie. Pour plus d'informations veuillez contacter votre revendeur ou distributeur local.



A

### CMS 40

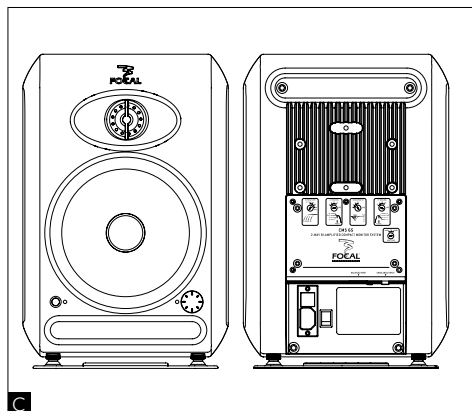
La CMS 40 est une enceinte professionnelle de contrôle de proximité 2 voies active (2 amplificateurs internes), constituée d'un haut-parleur grave/médium Focal de 4 pouces (10 cm) à membrane «Polyglass», chargé par un événement laminaire de grande section et d'un tweeter Focal à dôme inversé en aluminium/magnésium (fig. A).



B

### CMS 50

La CMS 50 est une enceinte professionnelle de contrôle de proximité 2 voies active (2 amplificateurs internes), constituée d'un haut-parleur grave/médium Focal de 5 pouces (13 cm) à membrane «Polyglass», chargé par un événement laminaire de grande section et d'un tweeter Focal à dôme inversé en aluminium/magnésium (fig. B).



C

### CMS 65

La CMS 65 est une enceinte professionnelle de contrôle de proximité 2 voies active (2 amplificateurs internes), constituée d'un haut-parleur grave/médium Focal de 6,5 pouces (16,5 cm) à membrane «Polyglass», chargé par un événement laminaire de grande section et d'un tweeter Focal à dôme inversé en aluminium/magnésium (fig. C).



### Installation



#### Alimentation secteur

Après avoir déballé vos produits, vérifiez en premier lieu que la tension d'utilisation sélectionnée est correcte, en fonction de la tension d'alimentation choisie grâce au sélecteur, vérifiez (et si besoin remplacez) également le fusible, dont l'ampérage est dépendant de la tension de service. (voir caractéristiques du fusible dans le tableau des spécifications).

Vos produits doivent être impérativement reliés à la terre en utilisant le cordon d'alimentation.

#### Connexions d'entrées audio

L'entrée du signal audio s'effectue, au choix, via une fiche XLR ou une fiche RCA.

La fiche XLR permet la connexion d'une source de signal symétrique et utilise un schéma de câblage standard :

Pin 1 = masse (blindage)

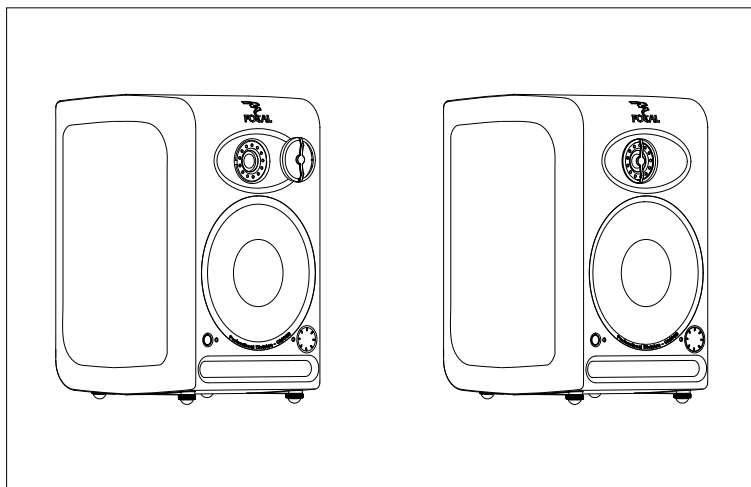
Pin 2 = point chaud (signal en phase)

Pin 3 = point froid (signal hors phase)

La fiche RCA permet la connexion d'une source de signal asymétrique. Il est usuel de relier le "point froid" (Pin 3) à la masse (Pin 1). Cette connexion est généralement réalisée au niveau des câbles.

#### Pièce d'optimisation de phase tweeter

Les enceintes CMS sont livrées avec des grilles pour le tweeter et le woofer. Nous vous conseillons d'enlever ces grilles à l'aide du crochet fourni dans l'emballage. Puis, insérez la pièce de mise en phase sur le tweeter en position verticale. Poussez la pièce de mise en phase sur sa périphérie avec précaution afin d'assurer son maintien (voir ci-dessous).



### Positionnement

Les enceintes CMS sont des enceintes de contrôle de proximité et doivent être positionnées à une distance de l'ordre de 40 cm à 3 mètres de l'auditeur orientées vers lui. Elles peuvent parfaitement être posées sur le dessus d'une console de mixage, suspendues, ou encore être mises sur des pieds adaptés ; sachant que dans tous les cas de figure il est vivement recommandé que la hauteur du tweeter soit assez proche de celle des oreilles de l'auditeur. Au besoin on peut parfaitement imaginer inverser la disposition normale des enceintes et positionner le tweeter en bas de façon à se rapprocher de cette règle. Les enceintes CMS pourront être positionnées indifféremment verticalement ou horizontalement en fonction de l'environnement, de préférence orientées vers l'auditeur (fig. D, E, F).

Une fois la disposition définie, vous bénéficiez de deux types de plots (4 plots caoutchouc et 2 plots réglables) pour optimiser l'orientation des enceintes (fig. G, H). L'ajustement de la hauteur des plots vous permet de contrôler la hauteur de la scène sonore. L'écartement et l'orientation droite/gauche de chaque enceinte vous permettent de contrôler la largeur, le centrage et la cohérence globale de la scène sonore (gauche/centre/droite), à la source de la précision de vos enregistrements.

### Rodage

Les transducteurs utilisés dans les enceintes CMS sont des éléments mécaniques complexes qui exigent une période de rodage pour fonctionner au mieux de leurs possibilités et s'adapter ainsi aux conditions de température et d'humidité de votre environnement.

Cette période varie selon les conditions rencontrées et peut se prolonger sur quelques semaines. Afin d'accélérer le processus, nous vous conseillons de faire fonctionner les différents produits une vingtaine d'heures à niveau moyen, sur des programmes musicaux riches en basses fréquences. Une fois les caractéristiques des transducteurs stabilisées, vous pourrez profiter pleinement des performances de vos produits Focal.

## Contrôles CMS 40, CMS 50 et CMS 65

## ① HI-PASS FILTER (CMS 50 et CMS 65)

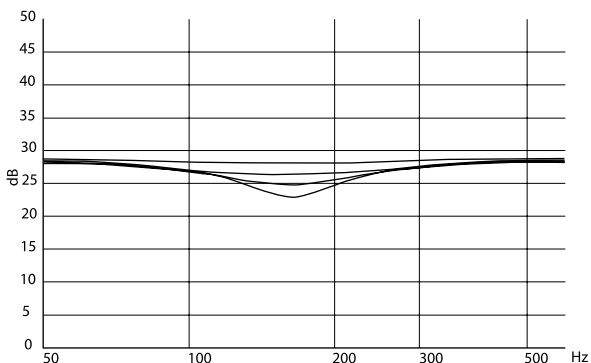
Le commutateur HI-PASS FILTER permet d'activer ou non un filtre passe-haut 12 dB/octave. Il est conseillé de régler le commutateur sur FULL RANGE (désactivation du filtre passe-haut) dans le cas d'une utilisation en configuration stéréo (2.0). Il est conseillé d'utiliser les positions 45, 60 ou 90 Hz dans le cas d'une utilisation du système avec un ou plusieurs caisson(s) de grave.

## ② LF SHELIVING

Le commutateur LF SHELIVING permet d'activer ou non une correction du niveau sonore en dessous de 450 Hz. Il est conseillé de régler le commutateur LF SHELIVING sur +2 dB lorsque l'acoustique du local d'écoute atténue naturellement cette plage de fréquences. Il est conseillé de régler le commutateur LF SHELIVING sur FLAT (plat) lorsque le local d'écoute est acoustiquement neutre. Il est conseillé de régler le commutateur LF SHELIVING sur -2, -4 ou -6 dB lorsque les enceintes sont placées à proximité d'un mur ou d'un angle.

③ DESKTOP NOTCH  
(CMS 50 et CMS 65)

Le commutateur DESKTOP NOTCH permet d'activer ou non une correction de niveau sonore à une fréquence centrale de 160 Hz pour un facteur Q de 2. Il est conseillé de régler le commutateur sur -2, -4 ou -6 dB lorsque les enceintes sont positionnées sur une table, un bandeau de console ou tout autre support engendrant des réflexions.



## ④ HF SHELIVING

Le commutateur HF SHELIVING permet d'activer ou non une correction du niveau sonore à partir de 4,5 kHz. Il est conseillé de le régler sur :

- +2 dB lorsque l'acoustique du local d'écoute atténue naturellement cette plage de fréquences (environnement mat).
- FLAT (plat) lorsque le local d'écoute est acoustiquement neutre.
- -2 ou -4 dB lorsque l'acoustique du local d'écoute augmente naturellement cette plage de fréquences (environnement brillant).

## ⑤ INPUT LEVEL

Le commutateur INPUT LEVEL a pour fonction de faire correspondre la sensibilité de sortie de la console de mixage, ou tout autre source, avec la sensibilité d'entrée des enceintes. Les sensibilités disponibles sont +4 dBu, 0, -10 dBv. La position +4 dBu correspond au standard professionnel. La position -10 dBv correspond au standard grand public. La position 0 est une position intermédiaire.

### ⑥ FIXATION

Les points de fixation sont destinés à assurer la liaison entre l'enceinte et un support de fixation (pied, fixation murale, fixation plafond, ...). Merci de vous reporter à la page 25 pour connaître les fixations compatibles (liste non exhaustive). Le pas de vis est de type BSW 3/8" pour le point de fixation situé sous la CMS 40 et CMS 50. Le pas de vis est de type M6 pour les points de fixation situés à l'arrière des CMS 40, CMS 50 et CMS 65.

### ⑦ BALANCED INPUT

La fiche XLR permet la connexion d'une source de signal symétrique et utilise un schéma de câblage standard :

Pin 1 = masse (blindage)

Pin 2 = point chaud (signal en phase)

Pin 3 = point froid (signal hors phase)

### ⑧ UNBALANCED INPUT

La fiche RCA permet la connexion d'une source de signal asymétrique. Il est usuel de relier le "point froid" (Pin 3) à la masse (Pin 1). Cette connexion est généralement réalisée au niveau des câbles.

### ⑨ Switch ON/OFF

Le switch ON/OFF permet la mise sous ou hors tension des amplificateurs internes.

### ⑩ Switch ON/STANDBY

Le switch ON/Standby permet d'activer ou de mettre en veille l'enceinte CMS.

La DEL est de couleur verte lorsque l'enceinte est activée. La DEL est de couleur rouge lorsque l'enceinte est en veille.

### ⑪ VOLUME

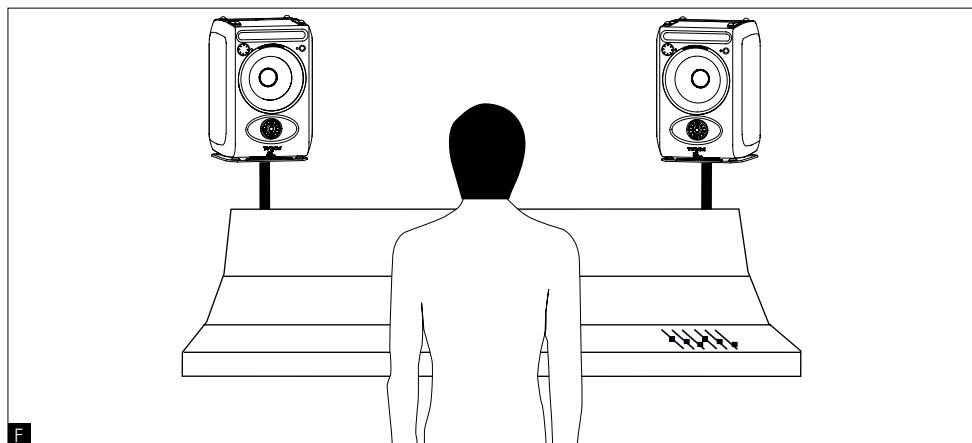
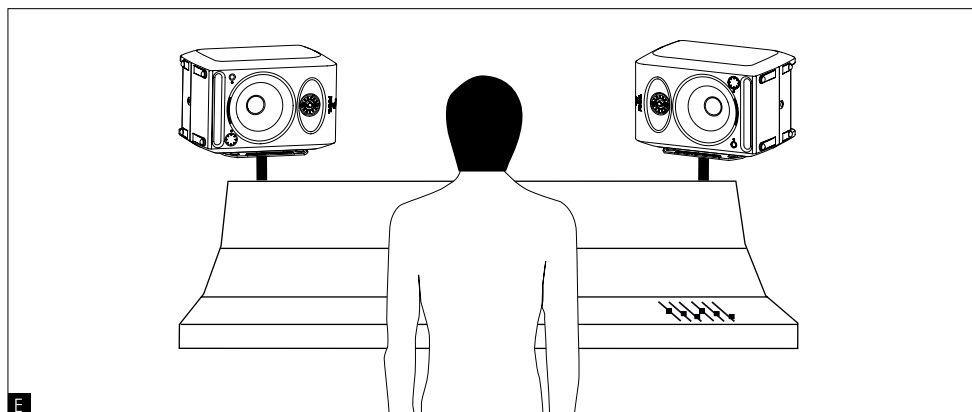
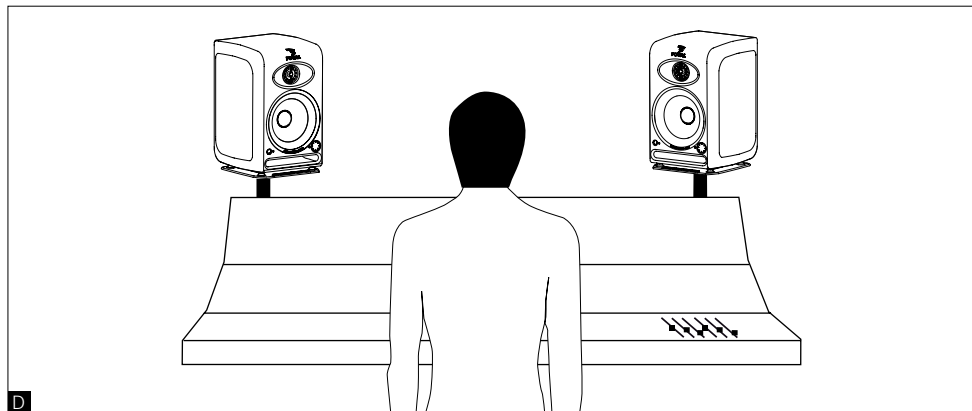
Le commutateur de volume permet d'ajuster le niveau de l'enceinte CMS. En position 0 (rotation totale dans le sens anti-horaire), l'enceinte est en veille. En position 1 (rotation totale dans le sens anti-horaire + 1 cran), l'atténuation est de -66 dB. Le dernier cran (rotation totale dans le sens horaire) correspond au 0 dB.

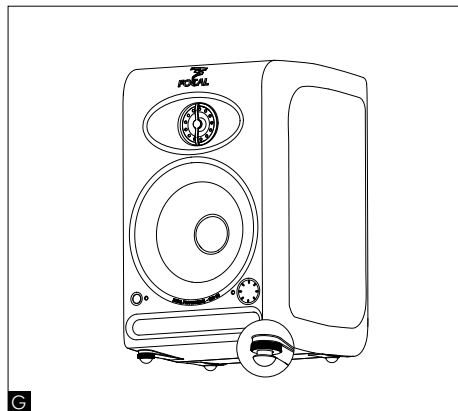
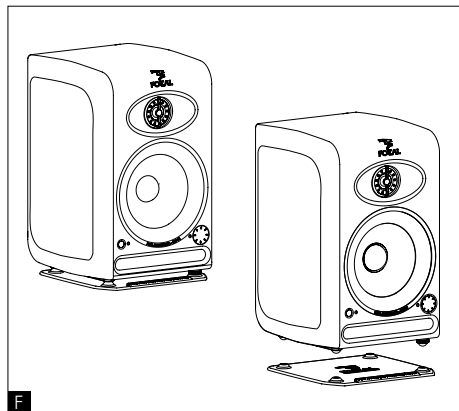
### ⑫ DEL

La DEL est de couleur rouge lorsque l'enceinte est en veille. La DEL est de couleur verte lorsque l'enceinte est activée.

### ⑬ INDICATEUR DE CLIP

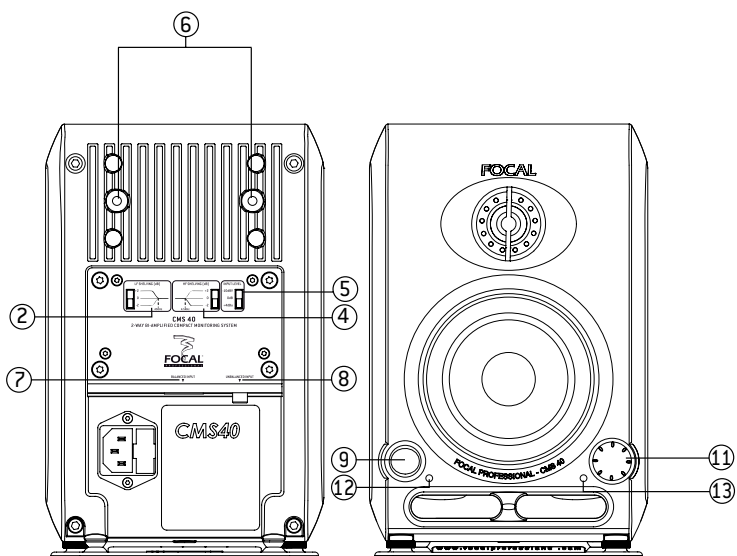
L'indicateur de clip permet de contrôler la qualité du signal audio. Lorsque la DEL est allumée, le clip est activé. Cela signifie que le signal est saturé et ne permet pas de travailler dans de bonnes conditions. Il est impératif d'éviter d'activer le clip. Pour ce faire, vous devez diminuer le niveau du signal entrant dans l'enceinte CMS et/ou baisser le volume de l'enceinte⑪.





### CMS Description

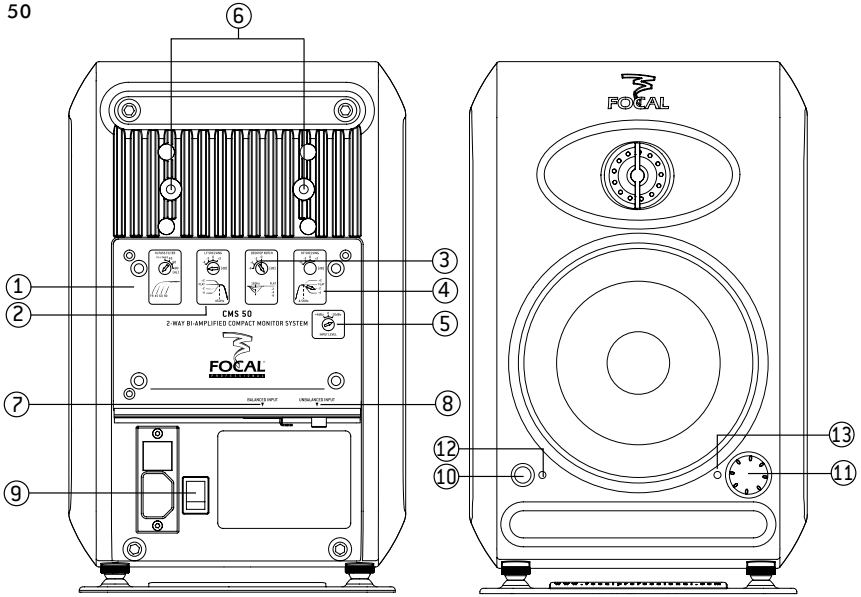
#### CMS 40



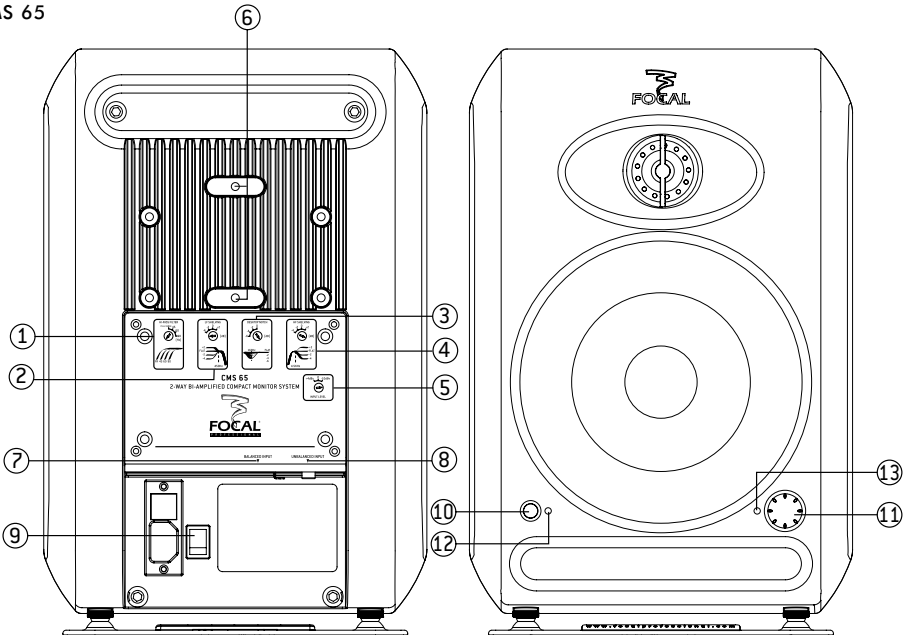
# CMS

## Manuel d'utilisation

CMS 50



CMS 65



### Fixations

Description	Marque	Référence	CMS 40	CMS 50	CMS 65
Pied (950-1430 mm)	K&M	26740	x	x	x
Pied de table (pied micro 355-580 mm)	K&M	23300	x	x	-
Fixation murale (orientable / déport mural 105 mm)	K&M	24470	x	x	-
Fixation murale (orientable / déport mural 105 mm)	K&M	24471	-	-	x



<b>Système</b>	<b>CMS 40</b>
• Réponse en fréquence (+/- 3dB)	60 Hz - 28 kHz
• Niveau SPL maximum	97 dB SPL (pic @ 1 m)
<b>Section électronique</b>	
• Entrée	- Type/Impédance - Connecteurs
• Amplificateur médium et basses fréquences • Amplificateur hautes fréquences	25 W rms, classe AB 25 W rms, classe AB
• Alimentation électrique	- Tensions  - Connexion
• Réglages	- Sensibilité - Volume - Niveau médium/grave (0 - 450 Hz) - Niveau d'aigu (4,5 kHz - 20 kHz) - Marche / arrêt alimentation
• Visualisation et contrôles	DEL de mise sous et hors tension DEL de clip audio
<b>Transducteurs</b>	
• Woofer	Focal 10 cm, membrane Polyglass
• Tweeter	Focal à dôme inversé en aluminium/magnésium
• Blindage	Intégral par construction magnétique
<b>Coffret</b>	
• Construction	Aluminium renforcé et amorti
• Finition	Peinture poudrée noire
• Dimensions avec plots caoutchouc (HxLxP)	238,5 x 156 x 155 mm
• Dimensions avec semelle de découplage (HxLxP)	243,2 x 156 x 155 mm
• Poids	5,5 kg

<b>Système</b>	<b>CMS 50</b>
• Réponse en fréquence (+/- 3dB)	55 Hz - 28 kHz
• Niveau SPL maximum	105 dB SPL (pic @ 1 m)
<b>Section électronique</b>	
• Entrée	- Type/Impédance - Connecteurs
	Symétrique 20 kOhms / asymétrique 47 kOhms XLR / RCA
• Amplificateur médium et basses fréquences • Amplificateur hautes fréquences	80 W rms, classe AB 50 W rms, classe AB
• Alimentation électrique	- Tensions  - Connexion
	220-230 V (fusible 1,6 A) 120 V (fusible 3,15 A) 100 V (fusible 4 A) Fiche IEC et cordon d'alimentation amovible
• Réglages	- Sensibilité - Volume - Filtre passe-haut - Niveau médium/grave (0 - 450 Hz) - Niveau d'aigu (4,5 kHz - 20 kHz) - Filtre paramétrique 160 Hz (facteur Q = 2) - Marche / arrêt alimentation
	Ajustable, +4dBu / 0 / -10 dBV Ajustable, -66 dB / 0 dB Ajustable, inactif / 45 / 60 / 90 Hz (12 dB / oct.) Ajustable, 0 / -4 / -2 / +2 dB Ajustable, 0 / -4 / -2 / +2 dB Ajustable, 0 / -2 / -4 / -6 dB Commutateur marche/arrêt, sélecteur de tension Commutateur mise en veille / activation
• Visualisation et contrôles	DEL de mise sous et hors tension DEL de mise en veille et activation DEL de clip audio
<b>Transducteurs</b>	
• Woofér	Focal 13 cm, membrane Polyglass
• Tweeter	Focal à dôme inversé en aluminium/magnésium
• Blindage	Intégral par construction magnétique
<b>Coffret</b>	
• Construction	Aluminium renforcé et amorti
• Finition	Peinture poudrée noire
• Dimensions avec plots caoutchouc (HxLxP)	289,5 x 190 x 201 mm
• Dimensions avec semelle de découplage (HxLxP)	299,2 x 190 x 201 mm
• Poids	7,7 kg

<b>Système</b>	<b>CMS 65</b>
• Réponse en fréquence (+/- 3dB)	45 Hz - 28 kHz
• Niveau SPL maximum	108 dB SPL (pic @ 1 m)
<b>Section électronique</b>	
• Entrée	- Type/Impédance - Connecteurs
• Amplificateur médium et basses fréquences • Amplificateur hautes fréquences	Symétrique 20 kOhms / asymétrique 47 kOhms XLR / RCA
• Alimentation électrique	- Tensions - Connexion
• Réglages	- Sensibilité - Volume - Filtre passe-haut - Niveau médium/grave (0 - 450 Hz) - Niveau d'aigu (4,5 kHz - 20 kHz) - Filtre paramétrique 160 Hz (facteur Q = 2) - Marche / arrêt alimentation
• Visualisation et contrôles	220-230 V (fusible 1,6 A) 120 V (fusible 3,15 A) 100 V (fusible 4 A) Fiche IEC et cordon d'alimentation amovible
	Ajustable, +4 dBu / 0 / -10 dBV Ajustable, -66 dB / 0 dB Ajustable, inactif / 45 / 60 / 90 Hz {12 dB / oct.} Ajustable, 0 / -4 / -2 / +2 dB Ajustable, 0 / -4 / -2 / +2 dB Ajustable, 0 / -2 / -4 / -6 dB Commutateur marche/arrêt, sélecteur de tension Commutateur mise en veille / activation
	DEL de mise sous et hors tension DEL de mise en veille et activation DEL de clip audio
<b>Transducteurs</b>	
• Woofers	Focal 16,5 cm, membrane Polyglass
• Tweeter	Focal à dôme inversé en aluminium/magnésium
• Blindage	Intégral par construction magnétique et pot de blindage
<b>Coffret</b>	
• Construction	Aluminium renforcé et amorti
• Finition	Peinture poudrée noire
• Dimensions avec plots caoutchouc (HxLxP)	358,5 x 241 x 231 mm
• Dimensions avec semelle de découplage (HxLxP)	368,5 x 241 x 231 mm
• Poids 7,7 kg	10,5 kg

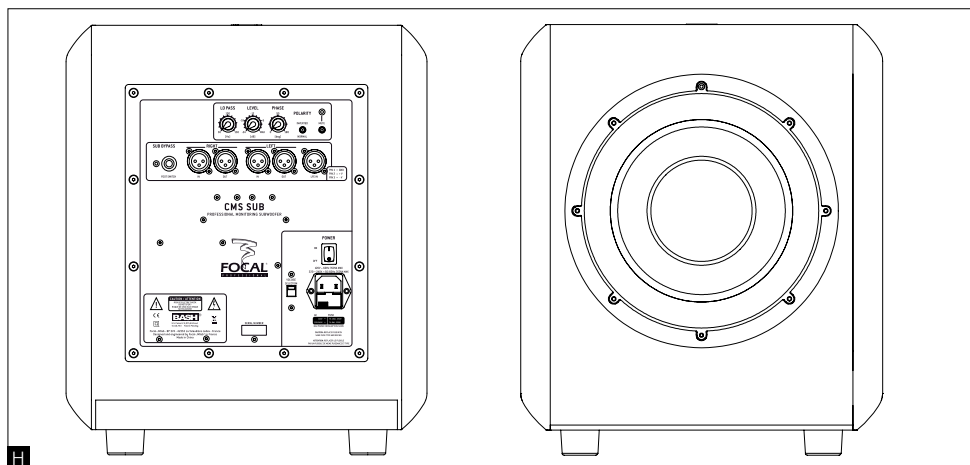
Les spécifications techniques de ces produits sont susceptibles d'être modifiées.

### Contenu de l'emballage CMS SUB

Un caisson de grave CMS SUB est livré accompagné des éléments suivants (outre le présent manuel) :

- 1 cordon d'alimentation
- 1 carte de garantie
- 1 grille protectrice pour le subwoofer à membrane «Polyglass» (notre conseil est de l'enlever pour l'écoute dès qu'il le sera possible).

Le CMS SUB est un caisson de grave actif (1 amplificateur interne) pour système de contrôle professionnel. Le transducteur utilisé est un subwoofer 27 cm Focal à membrane "Polyglass" chargé par un évent laminaire de grande section.



Le CMS SUB peut être utilisé :

- en complément de grave ou d'infra grave pour des installations stéréo + subwoofer (2.1 ou 2.2). A cet effet la connectique du panneau arrière du CMS SUB permet le branchement d'une source stéréo traditionnelle (Left In et Right In), mais aussi la récupération d'un signal (Left Out et Right Out) non traité dans le CMS SUB. Il convient donc d'activer les filtres passe-haut de chaque moniteur CMS pour optimiser le couplage sub + moniteurs et ainsi éviter l'overlapping (éviter de reproduire une plage de fréquence à la fois par le sub et par les satellites car ceci nuirait grandement à la qualité de contrôle du travail effectué).
- en canal LFE (Low Frequency Effect) pour une utilisation en système multicanal (5.1, 5.2, 6.1 ...) via une entrée spécifique LFE située sur le panneau arrière du CMS Sub.

### Connexions spécifiques au CMS SUB

#### Utilisation du CMS SUB en configuration stéréo + subwoofer (2.1 ou 2.2)

**Left IN:** cette entrée est dédiée à recevoir la sortie gauche de votre source (console de mixage, ou autre ...).

**Right IN:** cette entrée est dédiée à recevoir la sortie droite de votre source (console de mixage, ou autre ...).

**Left OUT:** cette sortie est dévolue à l'alimentation de l'enceinte gauche de votre système 2.1. Le signal ainsi récupéré ne subit aucun traitement de l'électronique du CMS SUB. Il convient d'ajuster la fréquence de coupure du filtre passe-haut sur chaque moniteur pour assurer un parfait recoupement sub-moniteurs (nous vous recommandons d'ajuster le passe-haut des moniteurs CMS et le passe-bas du CMS SUB sur les mêmes valeurs).

**Right OUT:** cette sortie est dévolue à l'alimentation de l'enceinte droite de votre système 2.1. Le signal ainsi récupéré ne subit aucun traitement de l'électronique du CMS SUB. Il convient d'ajuster la fréquence de coupure du filtre passe-haut sur chaque moniteur pour assurer un parfait recoupement sub-moniteurs (nous vous recommandons d'ajuster le passe-haut des moniteurs CMS et le passe-bas du CMS SUB sur les mêmes valeurs).

#### Utilisation du CMS Sub en configuration multicanal (5.1, 5.2, 6.1 ...)

**LFE:** cette entrée est dédiée à l'alimentation de votre Sub6 pour une application multicanal (5.1, 5.2, 6.1, 6.2, 7.1, 7.2 ...). L'entrée LFE est uniquement consacrée aux basses fréquences.

### Contrôles spécifiques au CMS SUB

#### ① LEVEL

Le réglage de niveau du CMS SUB permet de déterminer le volume sonore du caisson de grave en fonction de celui des moniteurs de contrôle. Ce réglage offre en outre la possibilité d'optimiser le choix de l'emplacement du caisson en tenant compte des conséquences acoustiques inhérentes au positionnement du CMS SUB (dans un angle : + 6 dB, donc nécessité d'atténuer le niveau pour une parfaite linéarité de la courbe de réponse en fréquence de l'ensemble du système).

#### ② MUTE

Le commutateur Mute permet d'activer ou non le CMS SUB sans avoir à recourir à l'extinction de la partie électronique.

#### ③ LO PASS

Ce potentiomètre rotatif permet de régler la fréquence de coupure «passe-bas» du caisson de grave afin de déterminer la fréquence la plus haute que le CMS SUB aura à retranscrire. Ce réglage a pour but d'optimiser la fréquence de coupure du CMS SUB en fonction de celle choisie sur les moniteurs. Le but étant bien entendu d'obtenir une courbe de réponse en fréquence de l'ensemble du système (subwoofer + enceintes) la plus linéaire possible et ainsi éviter de reproduire les mêmes fréquences par le sub et les moniteurs.

#### ④ POLARITY

Ce commutateur de polarité inverse la phase du CMS SUB de 180°.

#### ⑤ PHASE

Ce potentiomètre de «réglage fin» de la phase, associé au commutateur de polarité (vu ci-dessus) permettra d'éventuellement compenser le positionnement du CMS SUB par rapport à celui des moniteurs. En fonction de l'éloignement du caisson de grave, de sa position centrale ou non, ce réglage permettra de recevoir de façon synchrone les informations sonores émanant du CMS SUB et des moniteurs qui lui sont associés.

#### ⑥ SUB BYPASS

Cette entrée permet le branchement d'une pédale de contrôle à 2 positions (non fournie) qu'on reliera à l'aide d'un jack 6,35. L'activation du BYPASS provoquera l'activation du «mute» du subwoofer. Cette manipulation autorisera la comparaison instantanée par commutation rapide, entre un système dit "2.1" (Sub6, associé à 2 moniteurs) à un système stéréo traditionnel. Cette possibilité sera particulièrement intéressante lors de l'optimisation du réglage du filtrage (phase, fréquence de coupure, volume) entre le CMS SUB et les moniteurs qui lui seront associées.

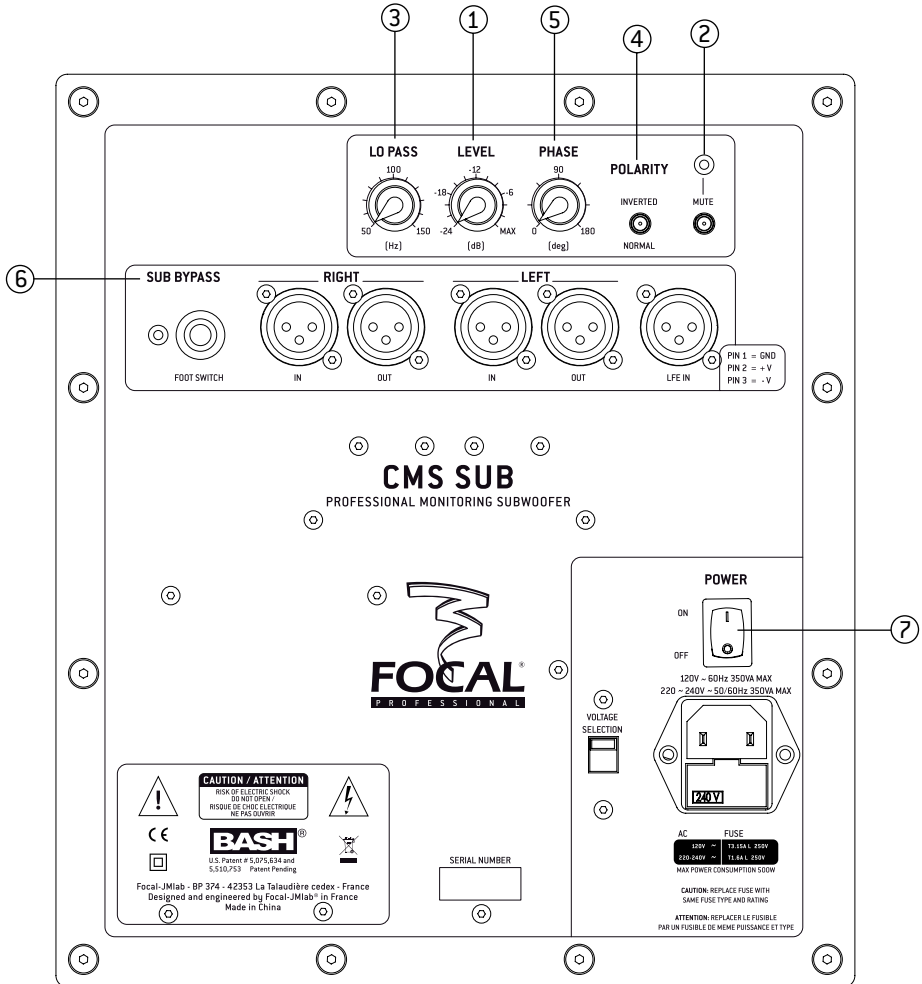
#### ⑦ POWER INDICATOR

Témoin «marche / arrêt sous forme "LED".

# CMS SUB

## Manuel d'utilisation

(fig. J)



Performances	CMS SUB
• Réponse en fréquence (+/- 3dB)	30Hz - 250 Hz
• Niveau SPL maximum	113 dB SPL (pic @ 1 m)

Section électronique		
• Entrées	- Type/Impédance - Connecteur - Sensibilité	Gauche, Droite, LFE Symétrique électronique/110 kOhms XLR femelle 3 points Variable
• Sorties (vers satellites)	- Connecteur	Gauche + Droite XLR mâle 3 points en parallèle sur les entrées
• Amplification	- 300 W rms, technologie BASH®	
• Traitement interne du signal et fonctions	- Section subwoofer	Sommation mono Gauche + Droite Sommation mono passe-bas + LFE Filtre passe-bas réglable, 24 dB/octave Ajustement de la phase Polarité
• Contrôles utilisateur		Réglage du niveau (sensibilité) du subwoofer Réglage de la fréquence de coupure du filtre passe-bas Ajustement de la phase Inverseur de polarité Mute Mute externe (contrôlé par une pédale)
• Témoins lumineux (LED)		Marche Mute Mute externe
• Alimentation électrique	- Tension secteur - Connexion	230 V (fusible 1,6 A) ou 115 V (fusible 3,15 A) Cordon secteur CEI amovible

Transducteur		
• Subwoofer		Focal 27 cm longue excursion à membrane "Polyglass"

Ebénisterie		
• Construction		Panneau MDF 22 mm avec renforts internes
• Finition		Vinyl gris sombre
• Dimensions (HxLxP)		435,5 mm x 366 mm x 440 mm
• Poids		23 kg



Votre produit Focal-JMlab a été conçu et fabriqué avec des matériaux et composants de haute qualité, susceptibles d'être recyclés et réutilisés. Ce symbole signifie que les appareils électriques et électroniques, lorsqu'ils sont arrivés en fin de vie, doivent être éliminés séparément des ordures ménagères. Veuillez rapporter cet appareil à la déchetterie communale ou à un centre de recyclage. Vous contribuez ainsi à la préservation de l'environnement.



### 请先阅读! 重要安全说明!



	<div style="text-align: center; border: 1px solid black; padding: 5px;"> <p><b>CAUTION</b></p> <p>RISK OF ELECTRIC SHOCK DO NOT OPEN</p> </div>	
<p>三角形闪电符号是为了警示用户产品外壳中存有未绝缘“危险电压”；这种电压强度较大，会构成对人体触电危险。</p>	<p>注意:为防止发生触电危险，请不要拆除盖体或后壳。本产品中不含有由用户自行维护的部件，需要时请联络合格之维修人员。</p>	<p>三角形感叹符号是为了提示用户注意随产品资料中包含操作和维护（服务）说明书。</p>
<ol style="list-style-type: none"> <li>1. 阅读这些重要说明；</li> <li>2. 保存这些重要说明；</li> <li>3. 注意所有警告内容；</li> <li>4. 遵守这些说明的要求；</li> <li>5. 切莫在靠近水的地方使用本设备；</li> <li>6. 请使用干燥的布清洁；</li> <li>7. 请不要堵塞任何通风孔。请按照生产商提供的指南进行安装；</li> <li>8. 切莫将本产品安装在靠近任何有热源的地方，譬如：散热器、换热器、火炉或其它可能产生热量的装置（包括放大器）；</li> <li>9. 不要忽视定位插头或接地型插头的安全作用。定位插头有两个插脚，一个宽一个窄；接地型插头有两个插脚和一条中线插脚。较宽插脚或第三条中线插脚具有安全保护功能。若所提供的插头不适合于您的插座，请咨询电工更换掉过时的插座；</li> <li>10. 请妥善保护好电源线，以免被践踏或挤压，尤其是插头处、预留空间方便插座处以引出设备；</li> </ol>	<ol style="list-style-type: none"> <li>11. 仅可使用本产品生产商指定的配件或附件；</li> <li>12. 仅可使用本产品生产商指定的、或与本产品一同出售的运货手推车、底座、三脚架、支架或桌子。若使用货运小推车时，在推动过程中务必小心，防止发生倾翻造成的伤害；</li> </ol> <div style="text-align: center;">  </div>	<ol style="list-style-type: none"> <li>13. 在雷雨天气或当本产品长时间不使用时，请拔下本产品的插头；</li> <li>14. 所有维修事宜，请向有资格的维修人员进行咨询。若本产品出现以下损坏情形的，必须给予维修，即：电源线或插头破损、液体溢出或有物件落入本产品内、本产品被暴露在雨水或潮湿的环境中、不能正常使用、或本产品被跌落；</li> <li>15. 警告：不要将本产品暴露于滴落物或泼洒物中，确保本产品上面不要放置任何装满液体，譬如花瓶等的物件；</li> <li>16. 若要将本产品完全断开交流电源，必须将电源线插头从交流插座上取下；</li> <li>17. 电源供应线上的插头应保持运作；</li> <li>18. 不要暴露本产品在滴水或溅水之处。</li> </ol>

为例，此设备已通过测试并证明符合下列欧洲指定的国际标准：

Electromagnetic compatibility（电磁兼容性）

EN55103、

EN61000、

Electrical safety（电力安全）

EN 60065



### CMS 50 and CMS 65 标配：

扬声器是与下列配件一同提供的（除了本手册外）：

- 1根电源线
- 4个橡胶垫脚
- 2个高度可调脚
- 1个橡胶音箱架
- 1个相位插头（高音喇叭使用）
- 1个高音喇叭相位插头防护罩（我们建议您听喇叭之前删除它）
- 1个低音扬声器的防护罩（我们建议您听喇叭之前删除它）
- 1个移除高音和低音防护罩的勾
- 1张保修卡

请从箱子取出所有配件后，检查这些配件是否缺少。

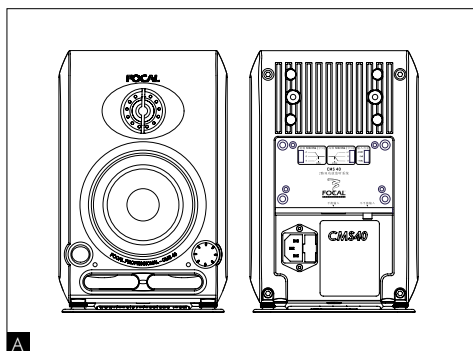
从包装盒里小心地取出扬声器避免损伤，打开盒的两端及把他们接起。然后取出上层保护垫把扬声器轻轻提出来。检查喇叭避免任何可能损害的迹象。万一真的发生，请告知承运人和供货商。请保持包装盒完整以便将来运送。

### 初步建议

我们要作出一个警告。这些扬声器可产生高级声压级，尤其是在5.1的配置。为避免用户不易疲劳，这些扬声器的失真水平很低，所以，在工作时不容觉到实际的声压级。请记住，持续在过高的水平鉴赏一段时间，可导致永久性失聪。

### 保修单

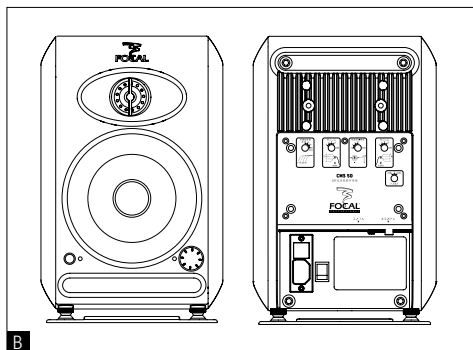
这些产品都只对部件的缺陷和技术进行保修，保修期为2年。在保修期内，Focal将自行决定对该产品进行修理或更换。若该产品被证明是有缺陷的，只要该产品被运送返回，运费预付，便能进行Focal的相关服务措施。相反，如缺陷是未经授权的情况下修改而造成的意外，疏忽或误用，均不在保修的范围内。如需进一步信息，请联系在贵国的经销商或分销商。



A

### CMS 40

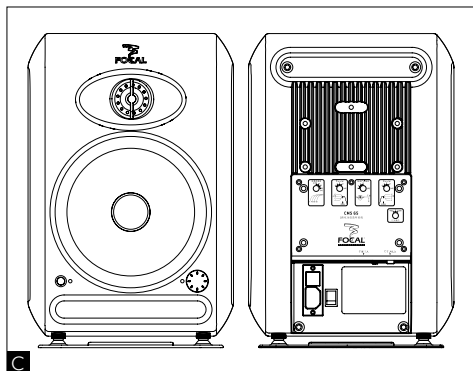
CMS 40 是一个有源2路近距专业监听音箱（内置2个功放），带有一个4"（10cm）Focal带苯乙烯锥体中低音单元，装载在流线导气管及一个Focal反置式铝/镁制高音单元。（fig. A）



B

### CMS 50

CMS 50 是一个紧凑型两分频近场专业监听系统（2个内置功率放大器），由一个5"（13厘米）玻璃涂层的单元组成低音/中音喇叭。由一个凹式铝/镁高音单元组成高音喇叭（图 A）。



C

### CMS 65

CMS 65 是一个紧凑型2路近场专业监听系统（2个内置功率放大器），由一个6.5"（16.5厘米）玻璃涂层的单元组成低音/中音喇叭。由一个凹式铝/镁高音单元组成高音喇叭（图 B）。

## 安装

### 电源电压:



正确使用，首先检查工作电压是否是正确设置（见设置面板）。如果不是，调整选择适当的使用电压。还要检查，如果需要更换保险丝，是否在理想适用电压。

您的产品必须接地使用的电源线供电。

XLR的插口可允许连接的平衡信号源，并使用标准接线说明：

Pin 1=接地（屏蔽）

Pin 2=正相位（“热”）

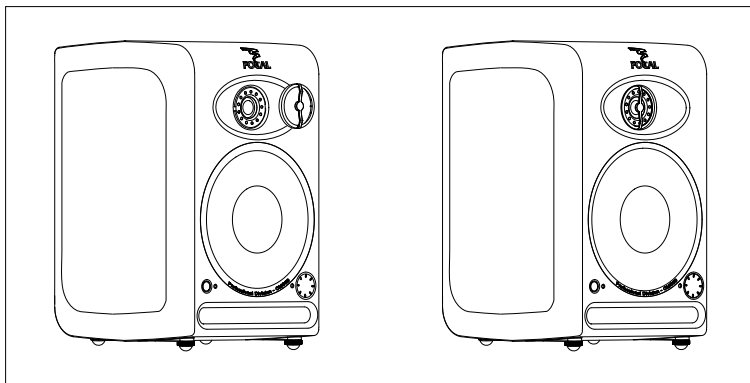
Pin 3=负相位（“冷”）

RCA插口允许连接非平衡的信号源。这是很普遍的把负相位（Pin 3）连接到屏蔽（Pin 1）。

这种连接线是在正常电平水平。

### 高音相插头

CMS的扬声器是连同低音和高音的防护网一起包装的。为了优化完善的舞台音响精度，我们建议您移除防护罩在包装内有勾子），然后，在垂直的位置上，安装插入高音喇叭轻轻推一下插头的边缘（见下文）。



### 正确位置:

CMS的扬声器是近场专业监听系统，并应放置在与听众距离1至3米，向着聆听的方向摆放。他们可以坐在控制台上的上方，悬挂或放置一些适当的架。不管怎样，高音喇叭是建议放于从地面高度约等于听者耳朵的水平。如果需要，它可以使音箱倒置放，使之前的规则更好地履行。

CMS的扬声器，取决于环境，可垂直或水平摆放。当然，最好向着听众方向摆放（图C,D,E）。一旦定了摆放位置，你有2种不同选择的距离脚丁（4橡胶尺和2个高度可调脚）优化扬声器的定位（图F,G）。调整高度脚以控制声场的高度。扬声器的间隙和左/右的定位的宽度，中心和相位一致的声场（左/中/右）都可控制您录音源的精度。

### 运转正常:

正如在所有品牌的新喇叭，驱动器需要一些磨合期：CMS的传感器是机械组件，要求一点时间来解决和适应气候环境。这个时期取决于工作条件，可能需要几周的时间。避免在首次过份使用扬声器，而是应该促进磨合过程。在中等音源电平输入音源的20个小时左右来的工作是很好的做法，其方案具有显著的低频内容。只有传感器稳定了扬声器就会获得最佳的表现性能。

### CMS 40, CMS 50 及 CMS 60 的调控

#### ① 高通滤波器 (CMS50和CMS65)

高通滤波器旋转开关可以激活12dB/octave高通滤波器。我们建议您全范围设置旋转开关（关闭低频滤波器）用立体声配置（2.0）。我们建议您使用45, 60或90Hz的情况下使用同一个系统，一个或几个低音音响。

#### ② 低频电平

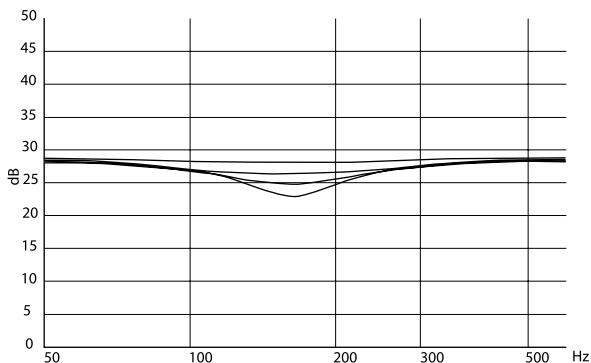
低频电平 旋转开关可以激活或修正450Hz以下的音量。

我们建议您设置低频电平在+2dB的旋转开关，在频率范围音响效果自然柔和。我们建议您设置平坦的低频电平旋转开关，那音响效果是中性的。当扬声器被放置旁边的墙壁或一个角度时，我们建议您设置低频电平在-2,-4, or -6dB的旋转开关。

#### ③ DESKTOP NOTCH

(CMS 50 and CMS 65)

桌面共振旋转开关可以激活或修正声音水平在一个中段频率在160HzQ值为2。当扬声器摆放在一张桌子，一个控制台或任何其他支持创造共振时，我们建议您把旋转开关设置-2, -4或-6dB的位置。



#### ④ 高频电平

高频电平旋转开关可以激活或修正4.5kHz的音量。我们建议您设置：

- 在吸音的房间时设为+2dB。
- 在自然的房间时设为FLAT。
- 在会增加此频段音量的房间时设为-2或-4dB。

#### ⑤ 输入电平

输入电平旋钮可使音箱的输入灵敏度及音源的输出灵敏度互相对应。可选的灵敏度有+4dBu, 0 及 -10dBv。+4dBu代表专业音频设备的标准。-10dBv代表一段家用音响设备的标准。而0的位置则是上述两个设置之间。

### ⑥ 固定点：

固定点，确保扬声器之间的联系和固定支持（支架，墙面安装，天花板固定等等）。请参阅第11页了解兼容的配件（非详尽的清单），这线程类型BSW的3/8。

### ⑦ 平衡输入

XLR的插口可连接的平衡信号的来源，并遵循标准的接线说明。

Pin 1 = 接地（屏蔽）

Pin 2 = 正相（“热”）

Pin 3 = 负相（“冷”）

### ⑧ 非平衡输入

接口用于连接不平衡的音讯，通常会把线才的Pin 3跟Pin 1焊接在一起。

### ⑨ 开关转换器

开/关转换器允许将内置功率放大器开或关。

### ⑩ 开/待机转换器

开/待机转换器可以启动或将CMS的扬声器静音。当LED为绿色时，扬声器正在激活。LED为红色时，扬声器处于待机状态（哑音状态）。

### ⑪ 音量响度

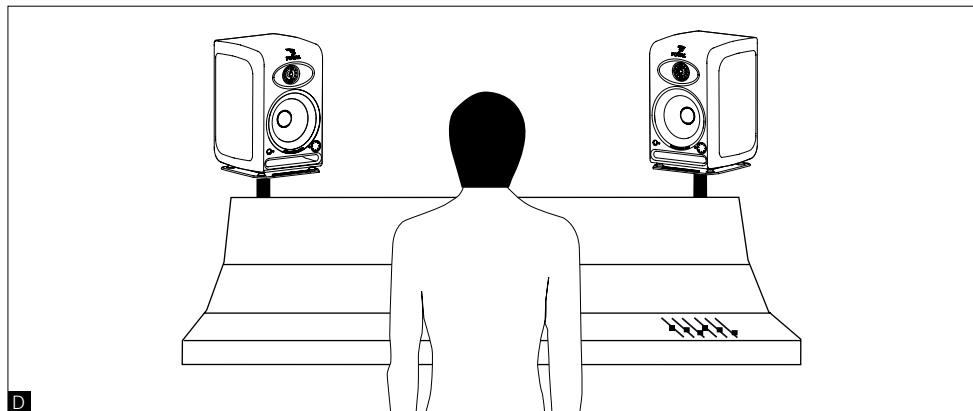
音量旋钮用于调整CMS音箱的输出音量。在0的位置（最逆时针方向）时，音箱会进入待机状态。在1的位置（最逆时针方向+1刻度）时，音量减弱度是-66dB。最高的刻度（最顺时针方向）为0dB。

### ⑫ LED显示屏灯

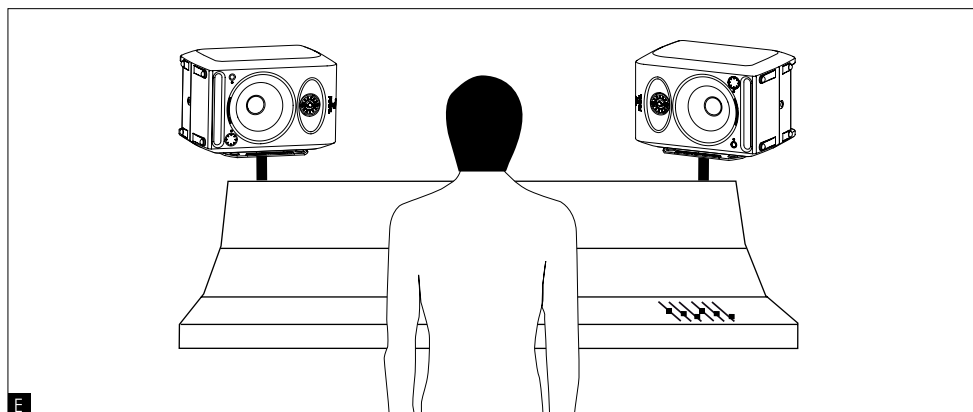
当灯为红色时，扬声器处于待机状态（哑音状态）。当灯为绿色时，扬声器已启动。

### ⑬ 削波指示器

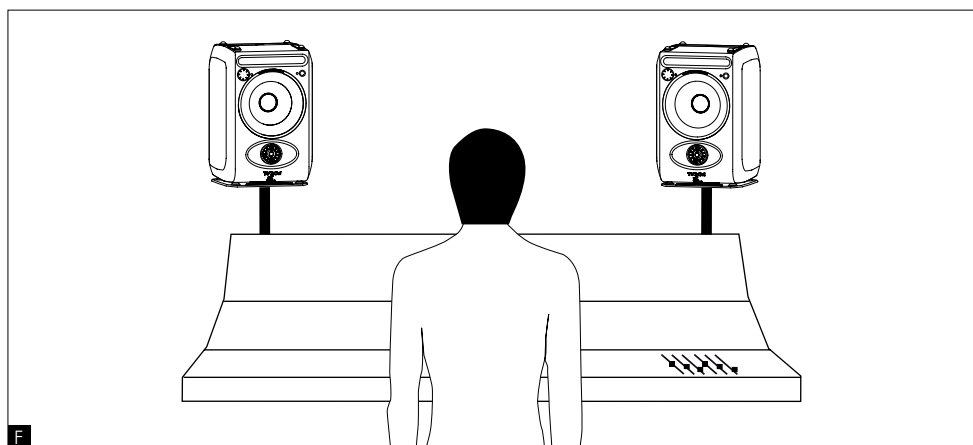
削波指示灯许可控制音频信号的质量。当指示灯亮了起来，削波被激活。这意味着信号过载，超过工作范围。你必须避免激活削波。要做到这一点，你必须降低输入信号电平在CMS扬声器和/或降低扬声器的音量水平。



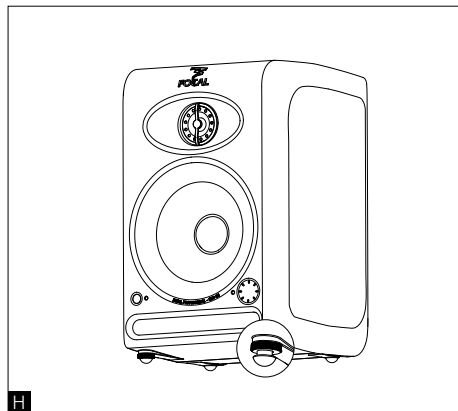
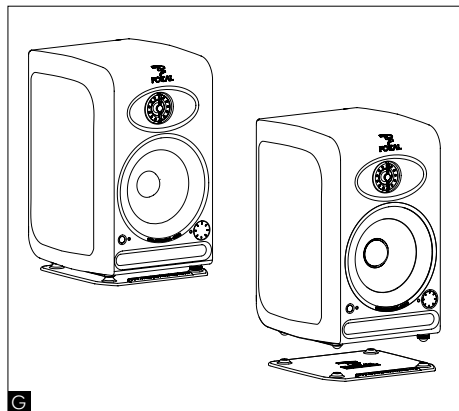
D



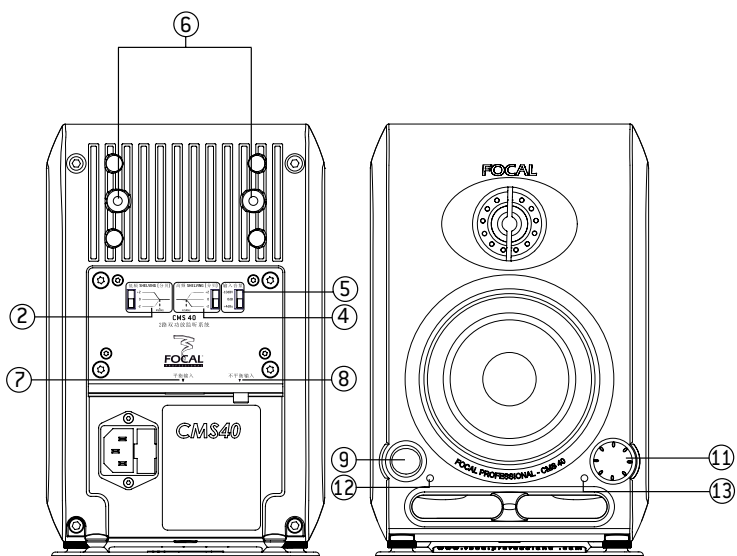
E



F

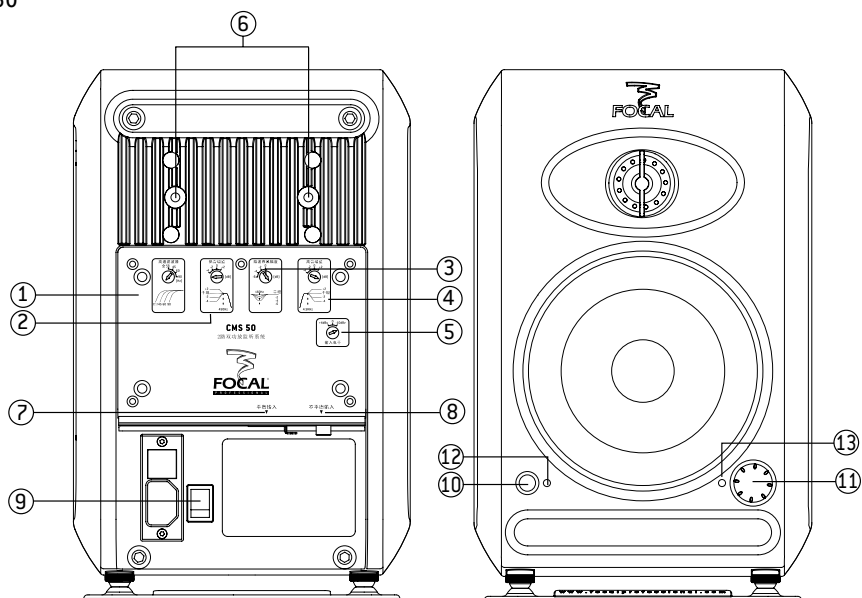


## CMS 40

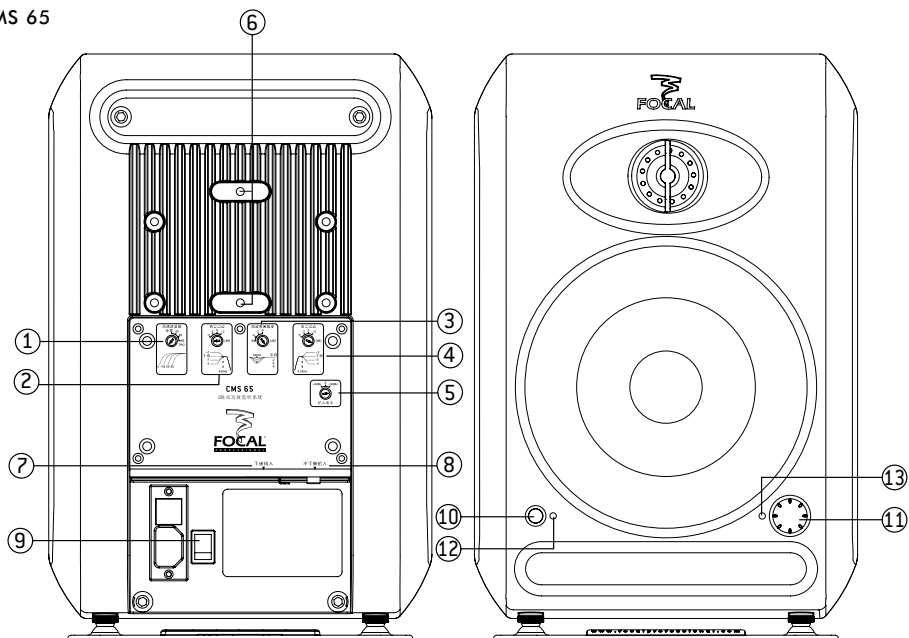




CMS 50



CMS 65



### 设备附件

种类	品牌	参数	CMS 40	CMS 50	CMS 65
支架 (c950-1430mm/37-3/8" - 56-5/16" )	K&M	26740	x	x	x
桌面支架 (话筒架355-580mm / 14" - 22-13/16" )	K&M	23300	x	x	-
墙体安装 (rotating/distance from wall 105mm/ 4-1/8" )	K&M	24470	x	x	-
墙体安装 (rotating/distance from wall 105mm/ 4-1/8" )	K&M	24471	-	-	x

### 系统

### CMS 40

• 频率响应	60Hz - 28kHz
• 最大声压级	97dB SPL (peak @ 1 m)

### 电子部份

• 输入	- 种类/阻抗 - 接头	平衡10k0hms / 不平衡47k0hms XLR / RCA
• LF功放 • HF 功放		25W rms, class AB 级 25W rms, class AB 级
• 主供电	- 主电压  - 接头	220 - 230V (0.5A 熔丝额定值) 120V (0.8A 熔丝额定值) 100V (1A 熔丝额定值) IEC输入及可分5的电线
• 用户调控	- 灵敏度 - 音量 - 低频 Shelving (0 - 450 Hz) - 高频 Shelving (4,5 kHz - 20 kHz) - 电源开关	可调, +4dBu / 0 / -10dBV 可调, -66dB / 0dB 可调, 0 / -2 / +2dB 可调, 0 / -2 / +2dB 电源ON / OFF按钮
• 显示板控制		问/ 关 LED 音频削波 LED

### 转换器

• 低音单元	4" Focal发声单元, 苯乙烯玻璃锥体
• 高音单元	Focal反置式铝制高音单元
• 屏蔽	以互补磁石组成

### 音箱

• 结构	坚实的铝制压铸音箱
• 涂装	黑色刷粉外层
• 带橡胶脚的体积 (HxWxD)	238x156x155mm (9 <sup>3/8</sup> "x6 <sup>1/8</sup> "x6 <sup>1/8</sup> " )
• 带橡胶垫的体积 (HxWxD)	243.2x156x155mm (9 <sup>9/16</sup> "x6 <sup>1/8</sup> "x6 <sup>1/8</sup> " )
• 重量	5.5kg (11 lb)

<b>系统</b>		<b>CMS 50</b>
• 频率响应(+/- 3dB)		55Hz - 28kHz
• 最大输出SPL		105dB SPL (peak @ 1 m)
<b>电子部分</b>		
• 输入	- 类型/阻抗 - 连接器	20k0hms平衡/47k0hms不平衡 XLR/RCA
• 中低频功率放大器 • 低频功率放大器		80W rms, class AB 50W rms, class AB
• 电源供应	- 电压  - 连接器	220-230V (1.6A 保险丝) 120V (3.5A 保险丝) 100V (4A 保险丝) IEC电源插座和可拆卸电源线
• 设置	- 灵敏度 - 音量电平 - 高通滤波器 - 中音/低音电平 (0-450Hz) - 高音电平 (4,5kHz-20kHz) - 160Hz参量滤波器 (0 值=2) - 电源开关 - 待机/开机	可调, +4dBu/0/-10dBV 可调, -66b/0b 可调, 无/45/60/90Hz (12dB/oct.) 可调, 0/-4/-2/+2dB 可调, 0/-4/-2/+2dB 可调, 0/-2/-4/-6dB  电源开关, 电压选择器 待机/ 开机开关
• 显示板控制		问/ 关 LED 待机和开机 LED 音频削波 LED
<b>换能器</b>		
• 低音单元		5" (13cm) Focal苯乙烯玻璃塑料锥盆单元
• 高音单元		铝/ 镁Focal倒置内凹式圆顶单元
• 屏障		完全防磁
<b>箱体</b>		
• 构造		强化阻尼铝箱
• 喷漆		黑色带小斑点油漆
• 尺寸: 带橡胶垫脚 (HxWxD)		289.5x190x201mm (11.4"x7.5"x7.9")
• 尺寸: 带可分离式的桌面支架 (HxWxD)		299.2x190x201mm (11.8"x7.5"x7.9")
• 重量		7,7kg (17 lb)

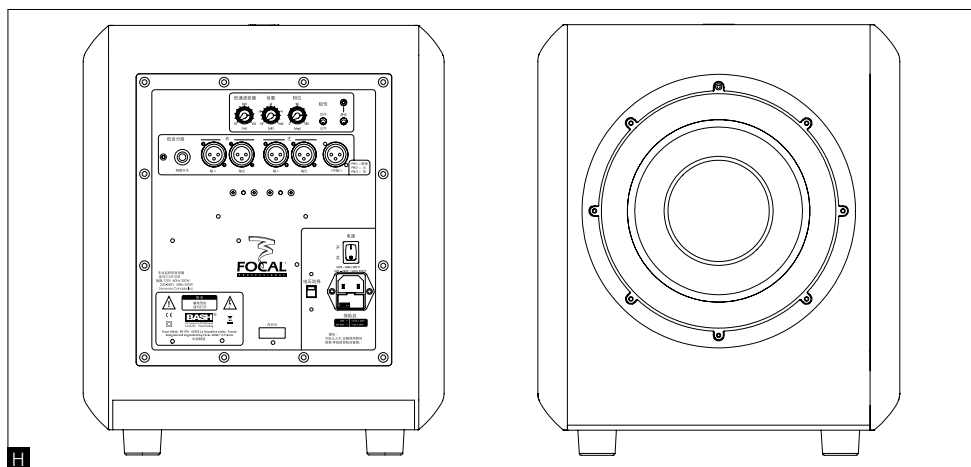
<b>系统</b>		<b>CMS 65</b>
• 频率响应 (+/- 3dB)		45Hz - 28kHz
• 最大输出 SPL		108dB SPL (peak @ 1 m)
<b>电子部分</b>		
• 输入	- 类型 / 阻抗 - 连接器	20kOhms 平衡/ 47kOhms 不平衡 XLR / RCA
• 中低频功率放大器 • 低频功率放大器		100W rms, AB 类 60W rms, AB 类
• 电源供应	- 电压 - 连接器	220-230V (1.6A 保险丝) 120V (3.5A 保险丝) 100V (4A 保险丝) IEC 电源插座和可拆卸电源线
• 设置	- 灵敏度 - 音量电平 - 高通滤波器 - 中音 / 低音电平 (0 - 450 Hz) - 高音电平 (4.5 kHz - 20 kHz) 160Hz 参量滤波器 (Q 值 = 2) - 待机 / 开机	可调, +4dBu / 0 / -10dBV 可调, -66b / 0b 可调, 无 / 45 / 60 / 90Hz [12dB/oct.] 可调, 0 / -4 / -2 / +2dB 可调, 0 / -4 / -2 / +2dB 可调, 0 / -2 / -4 / -6dB 电源开关, 电压选择器 待机 / 开机开关
• 显示板控		问 / 关 LED 待机和开机 LED 音频削波 LED
<b>换能器</b>		
• 低音单元		6.5" (16.5cm) Focal 苯乙烯玻璃塑料锥盆单元
• 高音单元		铝 / 镁 Focal 倒置内凹式圆顶单元
• 屏障		完全防磁
<b>箱体</b>		
• 构造		强化阻尼铝箱
• 喷漆		黑色带小斑点油漆
• 尺寸: 带橡胶垫脚 (HxWxD)		358.5 x 241 x 231mm [14.1"x9.5"x9.1"]
• 尺寸: 带可分离式的桌面支架 (HxWxD)		368.5 x 241 x 231mm [14.5"x9.5"x9.1"]
• 重量		10.5kg [23.1 lb]

### CMS SUB 包装内容

以下物品包括在CMS SUB之包装内（除了本手册）：

- 1 电源线
- 1 保养卡
- 1 超低音扬声器保护罩（我们建议您在**使用CMS SUB之前**移除它）。

CMS SUB是一个为专业监听而制的有源超低频音箱（内置1个功率放大器）。它采用了11玻璃塑料锥盆单元，并设置了一个大型导气孔。



CMS SUB可用于：

- 增强立体声+超低音音箱设置（2.1或2.2）的低频或超低频。CMS SUB的后面板可以连接传统的立体声信号（左/右）。
- 环回立体声设置（5.1，5.2，6.1...）中的LFE（低频音效）声道。LFE的专用信号输入信道设于后面板。

### 音频连接：CMS SUB（图十）

立体声+超低音音箱设置（2.1或2.2）：

左输入：此输入用于接收来自左声道的信号源（调音台，或其他...）。

右输入：此输入用于接收来自右声道的信号源（调音台，或其他...）。

左输出：此输出用于连接到你的左边主扬声器。这个输出信号不经过内部处理。必须通过CMS监听器的高通滤波确保完美的耦合，并避免重迭频率。

右输出：此输出用于连接到你的右边主扬声器。这个输出信号不经过内部处理。必须通过CMS监听器的高通滤波确保完美的耦合，并避免重迭频率。

### 多信道配置：

LFE：这是为了在环回立体声设置（5.1，5.2，6.1，...）时输入信号至CMS Sub；这个信道是专门为低频信号而设。

摆放CMS SUB的最佳位置会因应房间的材质，形状及声学设计而改变。建议尝试不同的地点，再选择一个音量平衡及表现最好的位置。根据经验，摆放CMS Sub的最佳位置往往会在房间一个角落

### CMS的低音控制

#### ① 音量

这调控允许用户根据主扬声器的音量设置超低音音箱的音量。还应该考虑到超低音音箱的实际位置和其原音效果：例如，在一个有六分贝声增益的角度应有同等衰减以保持总体系统的平衡。

#### ② 静音

开关超低音音箱的输出信号（不需关闭音箱电源便可使超低音音箱静音）。

#### ③ 低通滤波器

这个电位器调节超低音频道的低通滤波器的截止频率，从而调较CMS Sub的频率响应范围。目标是使整个系统实现平滑的频率响应。

#### ④ 极性调整器

此开关反转超低音信道的信号极性（即 $180^\circ$ 相移）。

#### ⑤ 相位调整器

这调整器可细微调整超低音频道的相位。与极性调整器一并使用时可用于补偿因超低音音箱与主监听器的距离做成的时间差，从而得到一个连贯的音场

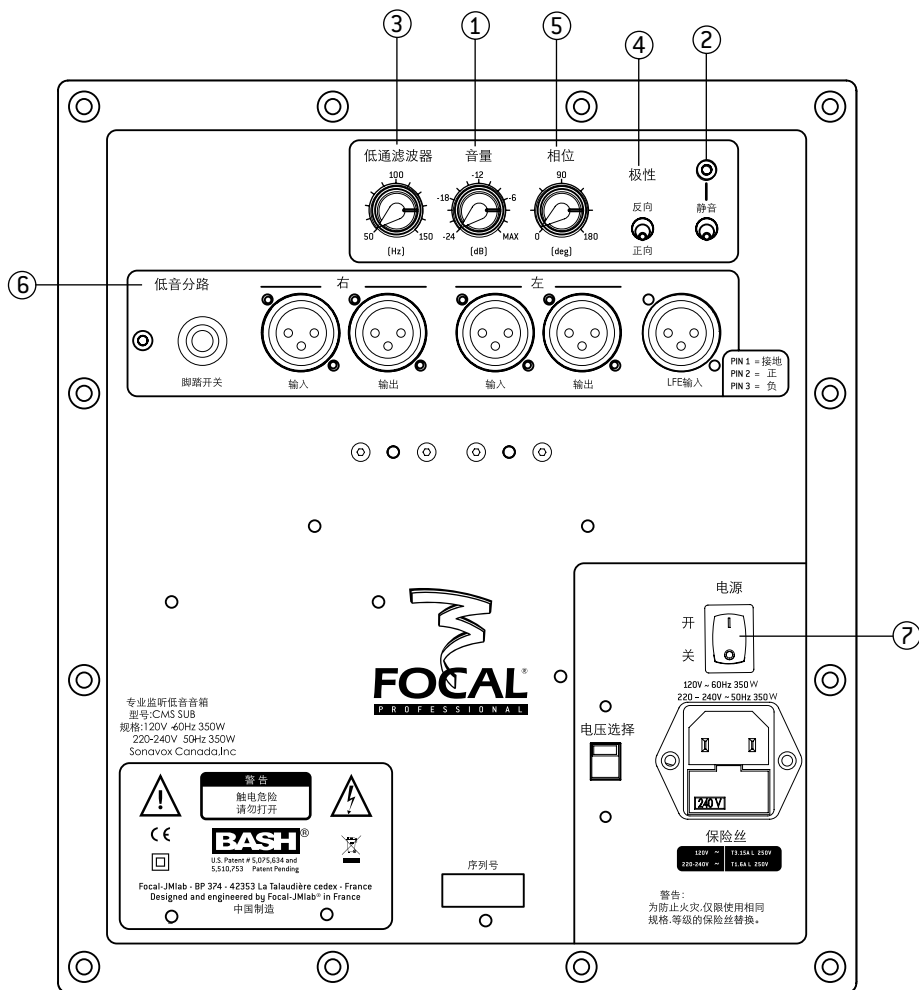
#### ⑥ 超低音旁通

通过 1/4 “插孔连接脚踏开关控制器（需另购），激活此功能可使超低音音箱静音。此功能使用家可方便地将系统从2.1设定与传统立体声设定之间自由切换。

#### ⑦ 电源

指示灯电源 “LED” 指示器

(fig. J)





系统		CMS SUB
• 频率响应 (+/- 3dB)		30Hz - 250 Hz
• 最大输出 SPL		113 dB SPL (pic @ 1 m)
电子部分		
• 输入	- 类型 / 阻抗 - 连接器 - 灵敏度	左, 右, LFE 电子平衡/ 10kOhms 母 3针XLR 可变
• 输出(到卫星单元)	- 连接器	左, 右 公 3针XLR
• 功率放大器	- 300 W rms, technologie BASH®	
• 内部的处理功能	- 超低音部分	左 + 右单声道汇总 LFE + 低通单声道汇总 24dB/ 倍频程可变的低通滤波器 相位调整 极性 24dB/ octave
• 设置		低频电平 (灵敏度) 调整 低通频率调整 相位调整 极性切换 哑音 外接哑音控制 (需连接外接脚踏控制器)
• 指示灯 (LED)		电源开启 哑音 高通启用
• 电源供应	- 电压 - 连接器	230V (1.6A 保险丝) 或 115V (3.15A 保险丝) IEC电源插座和可拆卸电源线
换能器		
• 超低音单元		11" [27cm] Focal苯乙稀玻璃塑料单元
箱体		
• 构造		22mm MDF板及内部支撑
• 喷漆		黑色带小斑点涂漆
• 尺寸 (HxLxP)		435,5 mm x 366 mm x 440 mm
• 重量		23 kg



Focal-JMLab产品是以高品质的材料和可再生组件和/或重新使用元件开发和制造。此符号表示电气和电子设备在其操作寿命结束时必须从一般垃圾分别处理。弃置此产品时，请将它带到当地收集点或此类设备回收中心。这将有助于保护我们的生活环境。

# Garantie France

Il est maintenant possible d'enregistrer son produit en ligne : [www.focal.com/garantie](http://www.focal.com/garantie)

**Pour validation de la garantie Focal, merci de nous retourner cette page dans les 10 jours, à l'adresse suivante :**

**Focal-JMlab - BP 374 - 108, rue de l'Avenir - 42353 La Talaudière cedex - FRANCE**

Modèle : \_\_\_\_\_, N° de série : \_\_\_\_\_

Nom du revendeur ou distributeur : \_\_\_\_\_

Nom de la société ou du propriétaire : \_\_\_\_\_

Nom du responsable technique : \_\_\_\_\_

Votre adresse complète : \_\_\_\_\_

Prix d'achat : \_\_\_\_\_

## Activité :

- |                                                            |                                    |
|------------------------------------------------------------|------------------------------------|
| <input type="checkbox"/> Studio audio                      | <input type="checkbox"/> Mastering |
| <input type="checkbox"/> Post production                   | <input type="checkbox"/> Broadcast |
| <input type="checkbox"/> Autre (merci de préciser) : _____ |                                    |

## Détails de l'installation :

Système d'exploitation :  Mac  PC

Utilisé comme :  nearfield  midfield

Utilisé pour :  stereo  multicanal

Marque de la console : \_\_\_\_\_

Logiciel «direct to disk» : \_\_\_\_\_

En cas de renouvellement, quelles étaient vos précédentes enceintes acoustiques ? \_\_\_\_\_

Dites en quelques mots pourquoi vous avez choisi Focal... \_\_\_\_\_

Vos annotations éventuelles : \_\_\_\_\_

# International guarantee

Now it's possible to register on line : [www.focal.com/warranty](http://www.focal.com/warranty)

In order to validate the Focal guarantee, please return this page  
within 10 days to the following address:

Focal-JMlab - BP 374 - 108, rue de l'Avenir - 42353 La Talaudière cedex - FRANCE

Model: \_\_\_\_\_ Serial number: \_\_\_\_\_

Retailer or distributor name: \_\_\_\_\_

Company or owner name: \_\_\_\_\_

Technical manager: \_\_\_\_\_

Your complete address: \_\_\_\_\_

Retail price: \_\_\_\_\_

## Occupation:

- Audio studio  Mastering  
 Post production  Broadcast  
 Other (please specify): \_\_\_\_\_

## Installation details:

Exploitation details:  Mac  PC

Used as:  nearfield  midfield

Used for:  stereo  multichannel

Mixing desk brand : \_\_\_\_\_

"Direct to disk" software: \_\_\_\_\_

In case of replacement, what were your previous acoustic speakers? \_\_\_\_\_

Explain in a few words why you chose Focal... \_\_\_\_\_

Your comments: \_\_\_\_\_

