

SPECIFICATION SHEET



HDMI In-Line Extender

- Supports resolutions up to 4K
- Extends HDMI A/V signal up to 82ft (25m) @ Full HD (1920 x 1080), or 50ft (15m) @ UHD (3840 x 2160)
- Does not require external power
- Auto EQ adjustments
- TAA compliant

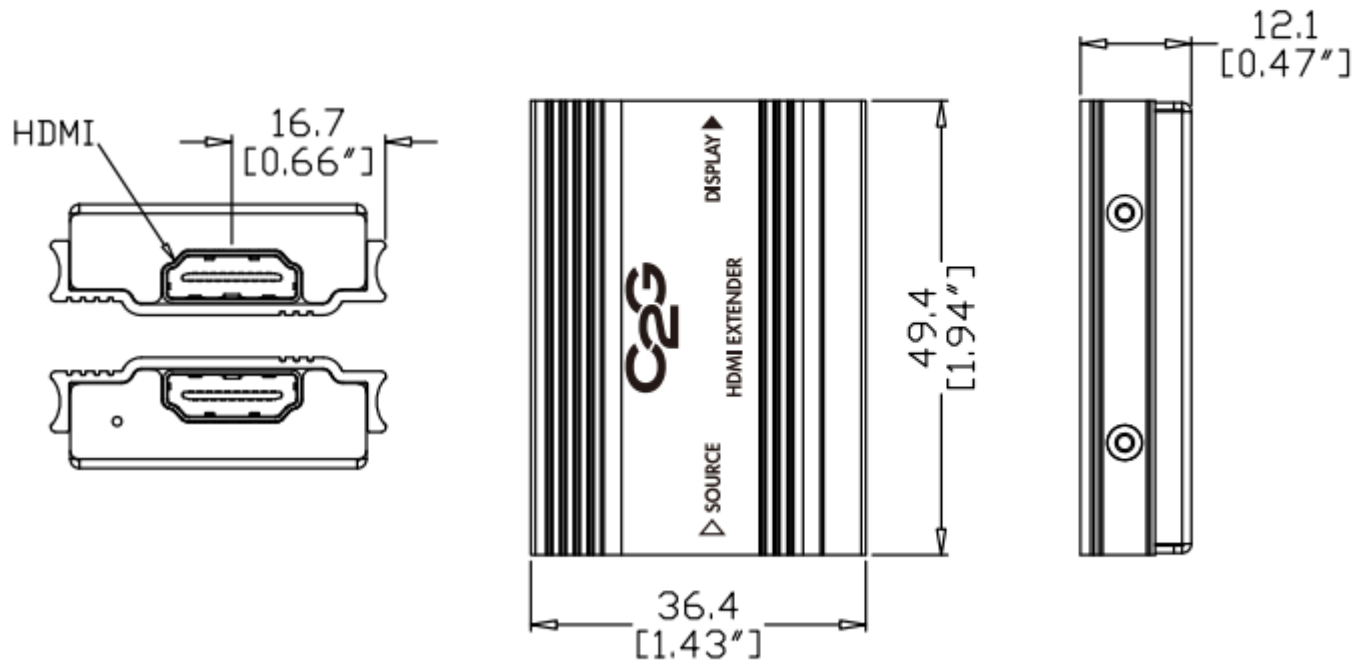
Specifications: HDMI In-Line Extender

Electrical Characteristics:

Max Resolutions Supported:	UHD (3840 x 2160) (4096 x 2160) Full HD (1920 x 1080p)
Features Supported:	3D, 4K, HDCP compliant
Distance Supported:	UHD (3840 x 2160) @ 50ft (15m) Full HD (1920 x 1080) @ 82ft (25m)
TMDs Clock Rate:	300MHz

Physical Characteristics:

Operating Temperature:	0°C ~ 40° C
Storage Temperature:	-10°C ~ 60°C
Humidity:	0~80% RH
Dimensions (HxWxD):	10 x 50 x 36mm
Enclosure:	Metal
Approvals:	CE



Part Number	Description	Weight (lbs)
41365	HDMI In-Line Extender	0.13



CABLES TO GO

Cables To Go
3555 Kettering Blvd.
Moraine, OH 45439
Phone: 800.287.2843
www.c2g.com

Follow Us

