



ACL 360 BAR™

SKU# ACL013

The new ACL 360 BAR™ is a versatile moving bar effect luminaire featuring (7) individual 15W RGBW 4-in-1 LEDs and the new advanced collimator optic lens, which combined produce a laser-like homogenized 4° color-changing beam from each lens which combined produce a 31° beam angle. Features include fast and precise 16-bit continuous full 360° pan and tilt rotation, full individual pixel control, strobe, and selectable dimming curve effects, DMX, RDM (Remote Device Management), KlingNET™ and Art-NET support, 3/5pin XLR, powerCON, and RJ45 ethernet in/out connections, (6) button control full color 180° reversible menu display, 135W max power consumption, and a multi-voltage universal auto switching power supply (100-240v).

FEATURES

Versatile 31° Beam Moving Bar Effect Luminaire

New Advanced Collimator Optic Lens

(7) Pixel Controlled 15W RGBW 4-in-1 LEDs

Laser-Like Homogenized 4° Color Changing Beams

Fast and Precise 16-Bit Continuous 360° Pan/Tilt Rotation

Strobe and Selectable Dimming Curve Effects

RDM, KlingNET™ and Art-NET (DMX Over Ethernet)

Flicker Free Operation for Broadcast TV and FILM



PRODUCT SPECIFICATIONS

SOURCE

(7) 15W RGBW 4-in-1 LEDs
100,000 Hour Average Lamp Life

PHOTOMETRIC DATA (31° Full ON)

44,440 LUX 4,128 FC @3.3' (1m)
25,260 LUX 2,347 FC @6.6' (2m)
15,430 LUX 1,433 FC @9.8' (3m)
10,960 LUX 1,018 FC @13.1' (4m)
8,081 LUX 751 FC @16.4' (5m)

EFFECTS

Individual Pixel Control
Strobe and Selectable Dimming Curves

COLOR

RGBW

CONTROL / CONNECTIONS

(3) DMX Channel Modes (17 / 19 / 43)
RDM (Remote Device Management)
6 Button Touch Control Panel
Full Color 180° Reversible LCD Menu Display
8 / 16 Bit Resolution Adjustable Movement
3pin/5pin DMX In/Out
RJ45 Ethernet In/Out (KlingNET™ / Art-NET)
powerCON Power In/Out

SIZE / WEIGHT

Length: 22.6" (575mm)
Width: 7.2" (184mm)
Vertical Height: 10.2" (258mm)
Weight: 22.0 lbs. (10 kg)

ELECTRICAL / THERMAL

AC 100-240V - 50/60Hz
135W Max Power Consumption
5F to 113°F (-15°C to 45°C)

APPROVALS / RATINGS

CE | IP30

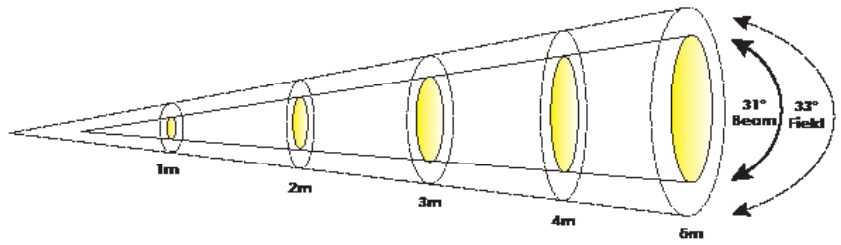
INSTALLATION

Rigging: Clamps (Not Included)
Working Position: Flat Surface / Inverted (180°)

INCLUDED ITEMS

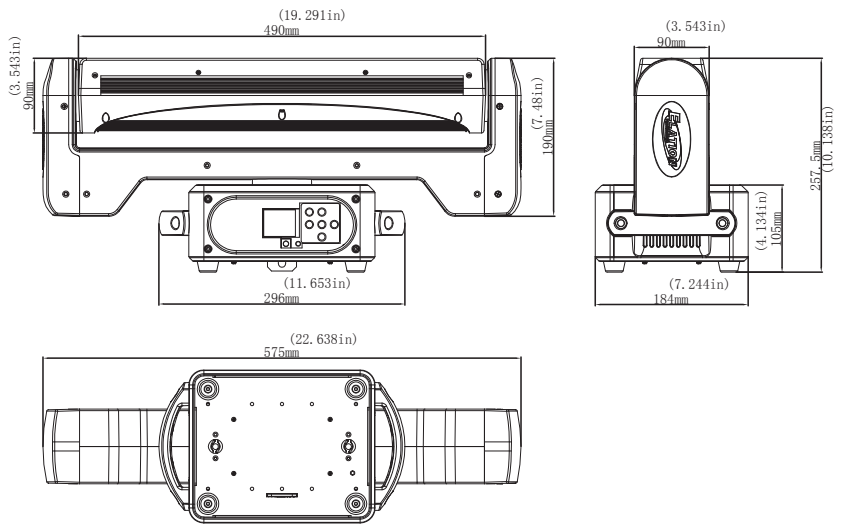
Omega Bracket
powerCON Cable

PHOTOMETRIC DATA



	1 m	3.3 ft	2 m	6.6 ft	3 m	9.8 ft	4 m	13.1 ft	5 m	16.4 ft
31° Beam Diameter	0.53	1.7	1.08	3.5	1.61	5.3	2.15	7.1	2.68	8.8
33° Field Diameter	0.58	1.9	1.14	3.7	1.62	5.3	2.21	7.3	2.75	9.0
	lux	fc	lux	fc	lux	fc	lux	fc	lux	fc
RED LEDs	10,390	965	5,508	512	2,905	270	2,092	194	1,639	152
GREEN LEDs	16,970	1,577	10,550	980	5,740	533	4,119	383	3,053	284
BLUE LEDs	4,120	383	2,507	233	1,320	123	1,149	107	766	71
WHITE LEDs	28,150	2,615	14,750	1,370	7,516	698	5,789	538	3,584	333
FULL ON	44,440	4,128	25,260	2,347	15,430	1,433	10,960	1,018	8,081	751

DIMENSIONAL DIAGRAMS



OPTIONAL ACCESSORIES

ORDER CODE	ITEM
TRIGGER CLAMP	Heavy Duty Wrap Around Hook Style Clamp
** pending **	Road Case For ACL 360 BAR™
EWDMSYSTEM	Wireless DMX System (1 Transmitter, 1 Receiver)
PLC3	3' (1m) PowerCON PRO Link Cable
CAT6PRO5	5' (1.5m) CAT6 EtherCON Cable
AC3PDMX5PRO	5 ft. (1.5m) 3pin PRO DMX Cable
AC5PDMX5PRO	5 ft. (1.5m) 5pin PRO DMX Cable
	Additional cable lengths available



Specifications are subject to change without notice ©Elation Professional 08/20/15

Elation Professional USA | 6122 S. Eastern Ave. | Los Angeles, CA. 90040
323-582-3322 | 323-832-9142 fax | www.elationlighting.com | info@elationlighting.com

Elation Professional B.V. | Junostraat 2 | 6468 EW Kerkrade, Netherlands
+31 45 546 85 66 | +31 45 546 85 96 fax | www.elationlighting.eu | info@elationlighting.eu