



**RDL**® Radio Design Labs®

SPECIALISTS IN PRACTICAL PRECISION ENGINEERING™

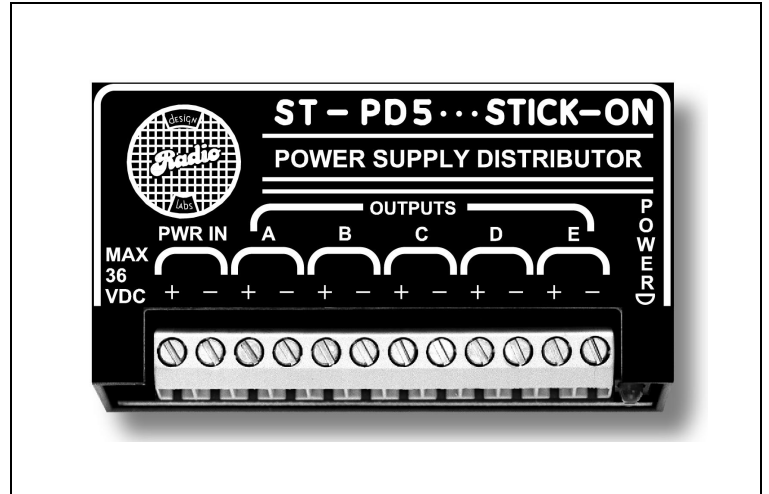
## STICK-ON® SERIES

### Model ST-PD5

### Power Supply Distributor

#### ANYWHERE YOU NEED...

- De-Coupling of Power
- Power Supply Filtering
- Remote Distributed Power
- Up to 5 Power Distribution Points
- Voltage Presence Indication
- Reverse Voltage Protection



#### **You Need The ST-PD5!**

The ST-PD5 is part of the group of versatile STICK-ON products from Radio Design Labs. STICK-ONS feature the advanced circuitry for which RDL products are known, combined with unequalled versatility in mounting possibilities. The durable adhesives provided with the ST-PD5 permit permanent or removable mounting. Numerous available mounting accessories, brackets and rack-mount chassis are optionally available to facilitate any system design.

**APPLICATION:** The ST-PD5 is the ideal choice where power distribution and de-coupling is needed. It is suitable for powering up to five modules from a single linear power supply, providing a common low impedance source for each module.

In system design, various modules are frequently operated from a single linear power supply. In order to prevent the introduction of hum and noise, good engineering practice requires that the power wiring to each module originate at the power supply output. The ST-PD5 serves as the power source for each of five modules, permitting the actual power supply to be located elsewhere in the rack or system.

Five outputs are available on the ST-PD5. An LED provides power indication, and reverse voltage protection is also provided. A single ST-PD5 can provide power to RDL's floating modules. A separate ST-PD5 can provide power to ground referenced modules. (Do not attempt to intermix floating and ground referenced modules from a single ST-PD5.) *Note: If using a switching power supply, distribute the voltage to multiple modules using an RDL ST-PD5U.*

Wherever power distribution is needed, the ST-PD5 is the ideal choice. Use the ST-PD5 combined with other RDL RACK-UP®, STICK-ON, or TX™ series products as part of a complete audio/video system.



# STICK-ON® SERIES

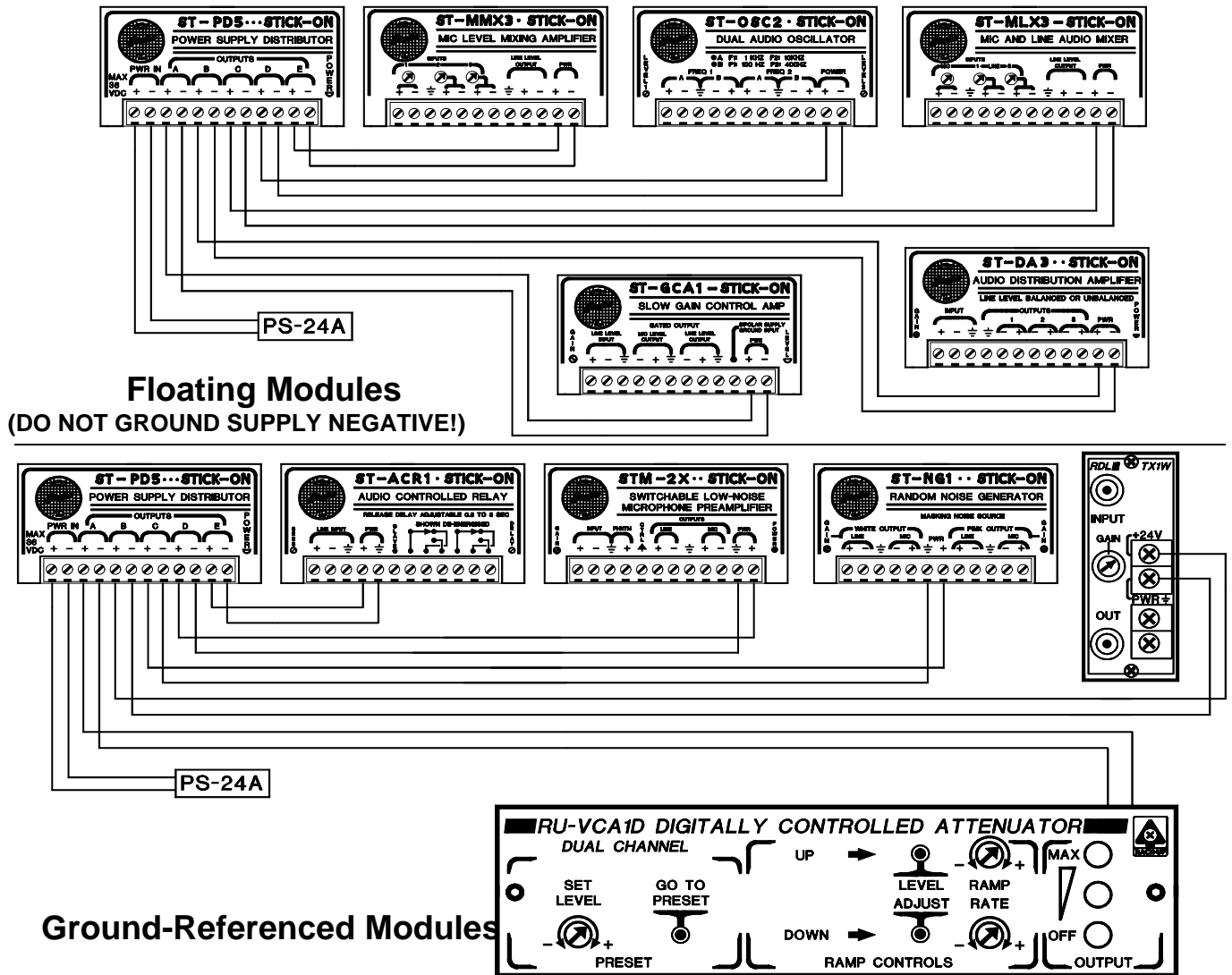
## Model ST-PD5

### Power Supply Distributor

## Installation/Operation



EN55103-1 E1-E5; EN55103-2 E1-E4  
 Typical Performance reflects product at publication time exclusive of EMC data, if any, supplied with product. Specifications are subject to change without notice.



**Mount ST-PD5 adjacent to the modules it feeds (wiring not to exceed 1m).**  
 (power supply may be remotely located)

### TYPICAL PERFORMANCE

Dimensions:

Height: 1.55 in. 3.94 cm  
 Width: 3.00 in. 7.62 cm  
 Depth: 0.65 in. 1.65 cm

Input/Output Voltage:

0 to 35Vdc

Number of Outputs (5):

Total load current must not exceed available power supply current