



**TECHNICAL DATA SHEET**

Model TMP-ZSYNC-04

**PRODUCT APPLICATION**

External Zero Sync (ZSync™) Source for Tempest2400 Professional BaseStations. When ordering, reference Part Number **TMP-ZSYNC-04**.

**RoHS COMPLIANCE**

This product is in compliance with the European Directive 2002/95/EC on the Restriction of Hazardous Substances (RoHS).

**SPECIFICATIONS\***

The dongle produces a sync signal that aligns the hop sequence as well as the transmit cycles of the connected BaseStations. The beginning of a hop sequence is indicated with a short pulse (1% duty cycle). The remaining 5804 pulses in the sequence use a 50% duty cycle.

**Electrical**

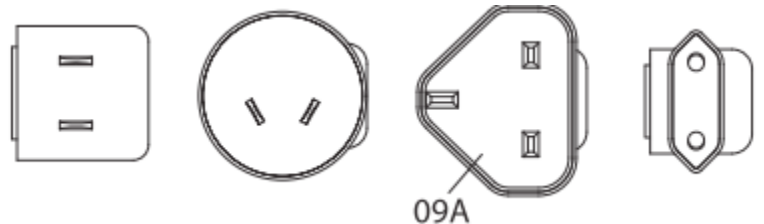
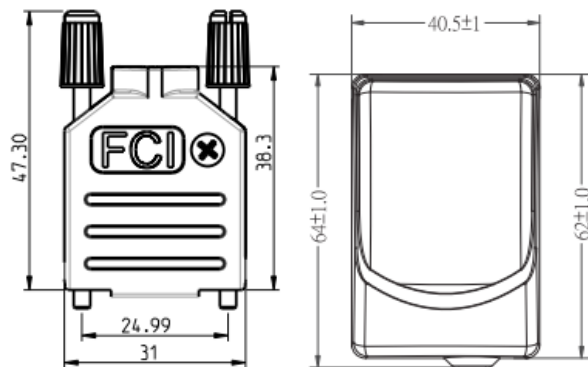
Input Voltage Range	90-264 AC
Input Frequency Range	47-63 Hz
Input Current	300mA max
Inrush Current	60A max @ 230V/30A max @ 115V
Typical Power Consumption	0.3 W

**Safety and Compliance**

Hi-Pot	3000 VAC (input to output at 10mA for 1 min)
Safety Approvals	UL, FCC
EMI standard	FCC class A, CE
RoHS Compliant	Yes
Leakage Current	0.25mA

**Physical**

Dongle Weight	.15 lbs
Dongle and Supply	.30 lbs
Cable Length	~6'



CoachComm, LLC  
Tempest®  
205 Technology Parkway  
Auburn, AL 36830  
www.tempestwireless.com  
Phone: 1.844.475.4268 or +1.334.321.1160

ZSyncDataSheet\_TMP-ZSYNC-04\_B

©2015 CoachComm LLC. All rights reserved. CoachComm and the Tempest logos are registered trademarks of CoachComm, LLC. All other trademarks are property of their respective owners.

**\*Notice About Specifications**

While CoachComm makes every attempt to maintain the accuracy of the information contained in this datasheet, this information is subject to change without notice. Please check our website for the latest system specifications and certifications.