



Tempest900 4-Channel BaseStation

TECHNICAL DATA SHEET

Model TMB44509INCC

TMB44509INCC 4-Channel Wireless BaseStation



ABOUT

The Tempest900 BaseStation is a 4-channel Frequency Hopping Spread Spectrum (FHSS) digital wireless intercom system operating in the 902 to 928 MHz band ensuring comprehensive coverage and wide reach while offering high resistance to multi-path interference. The front panel LCD display provides real time status including battery monitoring of active BeltStations and easy access to the hardware intercom settings and levels. Each BaseStation is capable of Call and Remote Mic Kill. When ordering, reference Part Number **TMP-B409**.

FEATURES & BENEFITS

- 900MHz license free operation
- Frequency Hopping Spread Spectrum technology
- Supports up to 5 full duplex BeltStations per Base
- Three Modes of Operation: Normal, Shared, and Split
- iSelect™ On Command Roaming
- 4 communication channels (conversations)
- Mixed 2-wire and 4-wire operation
- Compatible with Clear-Com®, RTS®, AudioCom®
- Hardwired Mic Kill and Call compatible
- Stage Announce output with relay closure
- Remote Transceiver port for remote antennas
- 5 individually assignable relay closures
- LAN interface for remote monitoring and control
- Either AC and/or DC (battery) operation

PERFORMANCE

The Tempest900 4-Channel BaseStation is supplied with a single omni-directional antenna (RP-TNC RF connector). On the rear is a RJ-45 connector for a (optional) remote transceiver. The Remote Transceiver allows the antenna functionality to be located up to 1500 ft. (450 m) away from the BaseStation over CAT 5/6 cable with no loss of RF signal. The CAT 5/6 cable also supplies power to the remote transceiver. An additional RJ-45 enables remote monitoring and control of the entire wireless system over a Local Area Network (LAN) with the aid of the Tempest T-Desk software.

VERSATILITY

The Tempest900 4-Channel BaseStation connections include a 2-wire interface with M/F 3-pin XLR loop thru and one 4-wire RJ-45 port per channel. The 2-wire interface is compatible with Clear-Com®, RTS®, and Telex® intercom systems and includes an auto-null circuit.

MODES

Three modes of operation are available within each Tempest BaseStation: Normal, Shared, and Split. This feature allows from five users to hundreds of users, depending on configuration.

EXPANDABILITY

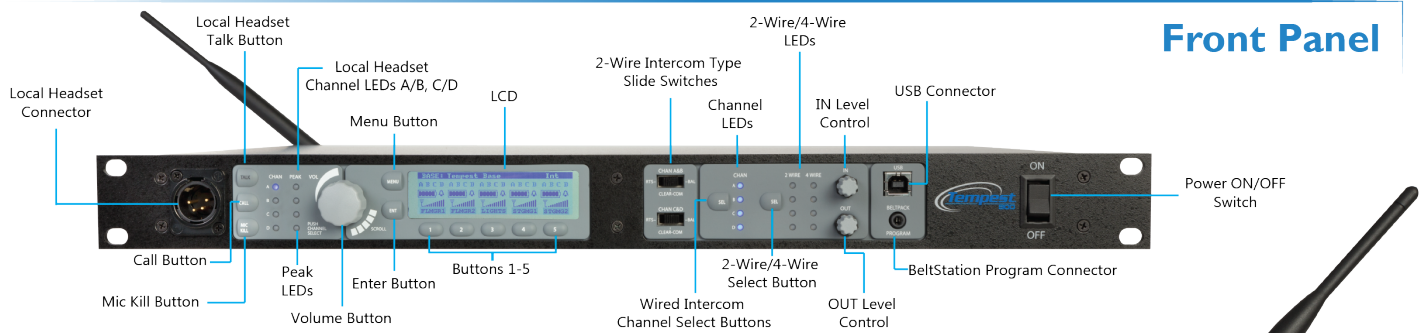
Utilizing the Tempest system's TDMA technology and proprietary Accu-Sync synchronization, up to five Tempest900 BaseStations and 25 full-duplex wireless BeltStations (in Normal Mode) can be used simultaneously. By switching to Shared or Split Mode, an unlimited number of BeltStations can be registered to each BaseStation using shared resources.

iSelect™ ROAMING

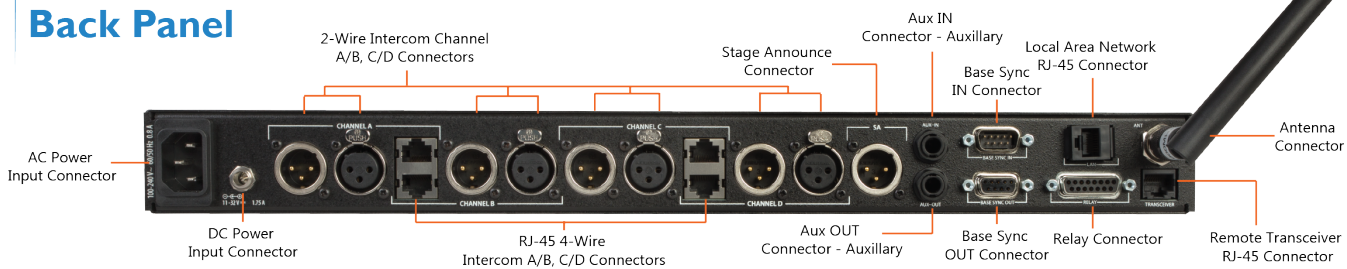
The Tempest900 4-Channel BaseStations handle work zone transitions with iSelect™ On Command Roaming technology. Accessing iSelect through the Tempest900 BeltStation LCD user interface allows a user to easily change his/her association with another BaseStation location in just a few seconds.

SPECIFICATIONS*

Front Panel



Back Panel



SYSTEM SPECIFICATIONS

RF Frequency	902 to 928 MHz
RF Scheme	FHSS with TDMA
Effective Radiated Power	250mW using 2dBi antenna
Receiver Sensitivity	-100 dBm for 10 ⁻⁵ BER
Radio Certification	FCC Part 15, Canadian RSS-210, license free
Transmission Range	1,000 ft. (304.8 m) under ideal conditions. 500 ft. to 900 ft. (152.4 m to 274.3 m) typical
Audio Dynamic Range	>94 dB
Audio Frequency Response	300Hz–3.8KHz with proprietary audio voice shaping
System Latency	Less than 60 ms direct

BASESTATION SPECIFICATIONS

Intercom Audio Channels	4
Full Duplex BeltStations per BaseStation	5
Shared BeltStations per Base	Unlimited
Number of Antenna Ports per BaseStation	1
Antenna Connector Type	RP-TNC
Number of Synchronized BaseStations	3–5
Maximum Range of BaseSync Cable	3,000 ft (914.4 m)
BaseStation/BeltStation Pairing	Via supplied Mini-jack/cable
Programming Port	USB
Stage Announce and GPO Closures	6 relays via DA-15
2-Wire Intercom Interface	4 channels via XLR 3F with XLR 3M loop thru
2-Wire Intercom Compatibility	Clear Com, RTS, and Balanced compatible
4-Wire/Matrix Connection	4 ports via RJ-45
Aux Input	¼" 3 conductor jack accepts -15.5 to +4 dB, balanced, transformer isolated
Aux Output	¼" 3 conductor jack nominal -12 to +8 dB, balanced, transformer isolated
Stage Announce Output	XLR 3M, nominal -12 to +8 dB, balanced, Transformer isolated
Headset Connector	4-pin male XLR (front panel)
Microphone Type	Dynamic or Electret, auto-selected
LCD Display	240 × 64 resolution, 32 level gray scale
Dimensions	1 RU unit, H 1.75 in. × W 19.0 in. × D 12 in. (44.5 mm × 482.6 mm × 304.8 mm)
Weight	10.5 lbs (4.76 kg)
Power Input	AC: 85–264 VAC at 50–60 Hertz, 15 Watts DC: Battery 11–32 VDC, 12 Watts
Operating Environment	-20° to 50° C (-4° to 122° F); 10% to 90% Humidity

*Notice About Specifications

While CoachComm makes every attempt to maintain the accuracy of the information contained in this datasheet, this information is subject to change without notice. Please check our website for the latest system specifications and certifications.



Phone: 1.844.475.4268 or +1.334.321.1160
www.tempestwireless.com

TM9004CHBaseDataSheet_TM/B44509INCC_RevHH

© 2015 CoachComm LLC. CoachComm and Tempest are registered trademarks of CoachComm LLC. All other trademarks are property of their respective owners. All rights reserved.