



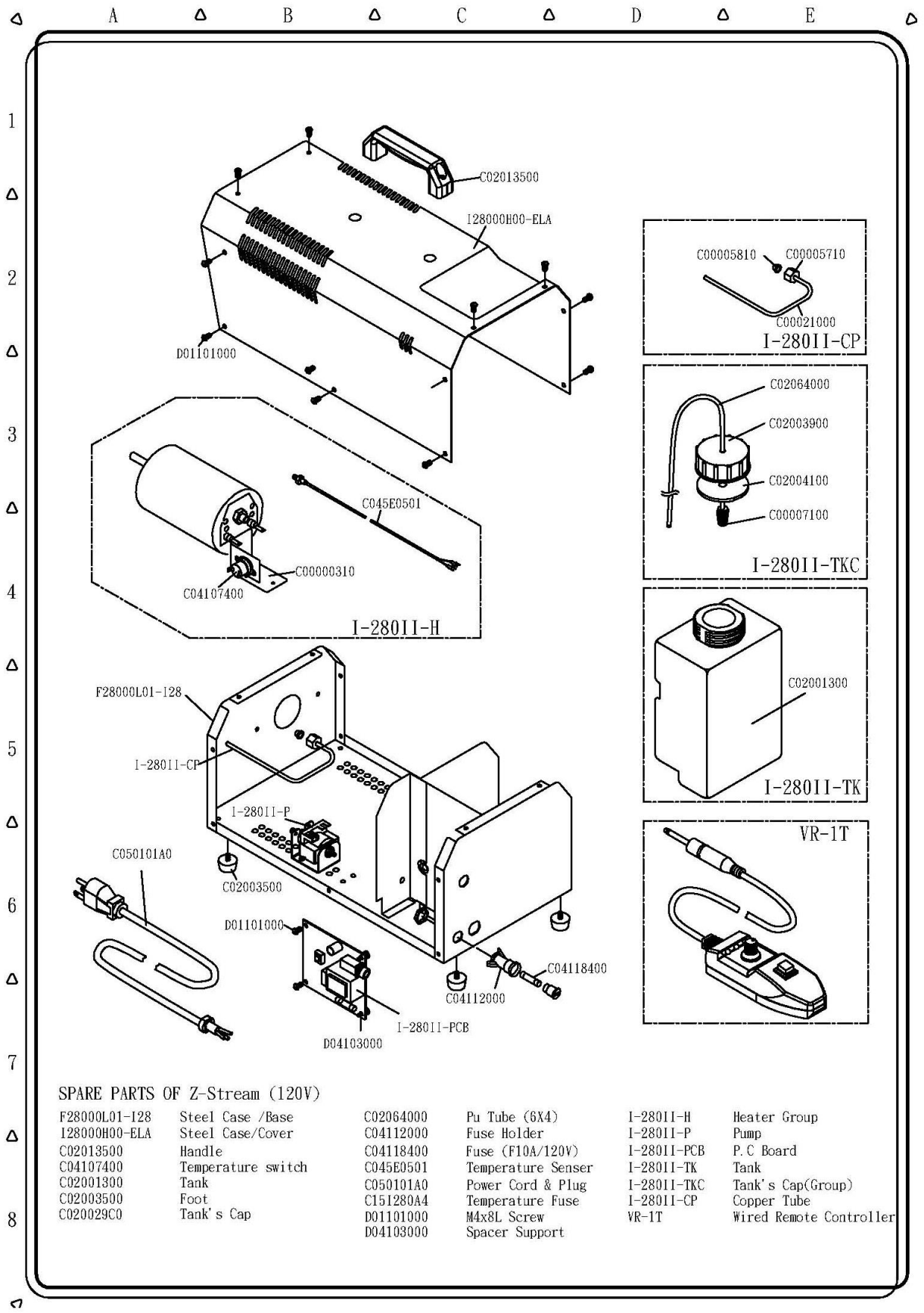
# Z-Stream

## Fog Machine User Manual



English





SPARE PARTS OF Z-Stream (120V)

F28000L01-128	Steel Case /Base	C02064000	Pu Tube (6X4)	I-28011-H	Heater Group
I28000H00-ELA	Steel Case/Cover	C04112000	Fuse Holder	I-28011-P	Pump
C02013500	Handle	C04118400	Fuse (F10A/120V)	I-28011-PCB	P. C Board
C04107400	Temperature switch	C045E0501	Temperature Sensor	I-28011-TK	Tank
C02001300	Tank	C050101A0	Power Cord & Plug	I-28011-TKC	Tank's Cap(Group)
C02003500	Foot	C151280A4	Temperature Fuse	I-28011-CP	Copper Tube
C020029C0	Tank's Cap	D01101000	M4x8L Screw	VR-1T	Wired Remote Controller
		D04103000	Spacer Support		

# Z-Stream

Thank you for choosing the Z-Stream. You now own a durable and powerful state-of-the-art machine. Prior to use, we suggest that you carefully read all of the instructions. By following the suggestions found in this user manual, you can look forward to exceptional performance from your Z-Stream fog machine for years to come.

**Please follow these operation, safety and maintenance instructions to ensure a long and safe life for your fog machine.**

## Specifications

### Z-Stream



Power: AC 120V/60Hz 230V/50Hz

Heater: 1000W

Fuse: 120VAC – F10A/250V  
230VAC – F5A/250V

Warm-up time: 5.5 minutes

Output: 10000 cuft/min

Tank capacity: 1.35 litre

Dimensions: 385x 270 x 247 mm

Weight: 5.8 kg

## CAUTIONS



***Pay attention to all warning labels and instructions printed on the exterior of your Z-Stream fog machine***

### ***Danger of electric shock***

- Keep this device dry.
- For inside use only. Not designed for outside use.
- For the 110V models, use 3-prong grounded electrical outlet only. Prior to use take care to determine that the unit is installed at the rated voltage.
- Always unplug your Z-Stream fog machine before filling its tank.
- Keep fog machine upright.
- Turn off or unplug when not in use.
- This machine is not water- or splash-proof. If moisture, water, or fog liquid gets inside the housing, immediately unplug the unit and contact a service technician or your dealer before using it again.
- No user serviceable parts inside. Refer to your dealer or other qualified service personnel.

### ***Danger of burns***

- For adult use only. Fog machine must be installed out of the reach of children. Never leave the unit running unattended.
- Keep nozzle at least 50 cm (20 in.) away from contact with anything while in operation.
- The fog vapour at point of release is under pressure and is extremely hot .
- Never aim the output nozzle directly at people.
- Fog machine output is very hot. Avoid coming within 50 cm of the output nozzle during operation.
- Locate the fog machine in a well-ventilated area. Never cover the unit's vents. In order to guarantee adequate ventilation, allow a free air space of at least 20 cm around the sides and top of the unit.

- Never aim the output nozzle at open flames.
- The output nozzle becomes very hot during operation (300 degrees C). Keep flammable materials at least 50 cm away from the nozzle.
- Always allow your Z-Stream fog machine to cool down before attempting to clean or service it.

### ***Danger of explosion***

- Never add flammable liquids of any kind (oil, gas, perfume) to the fog liquid.
- Use only the high-quality, water-based fog liquid that your dealer recommends. Other fog liquids may cause poor effect fog, clogging and “spitting” of unevaporated liquid.
- Always make sure there is sufficient liquid in the fog liquid tank. Operating this unit without liquid can cause damage to the pump and the heater.
- If your Z-Stream fog machine fails to work properly, discontinue use immediately. Drain all fog liquid from the tank, pack the unit securely (preferably in the original packing materials), and return it to your dealer for inspection.
- Always drain tank before shipping or transporting this unit.
- If fog liquid comes in contact with skin or eyes, rinse thoroughly with water. Never drink fog liquid. If ingested accidentally and feel not well, call a doctor immediately.

## **Unpacking & Inspection**

Open the shipping carton and check that all equipment necessary to operate the system has arrived intact. In addition to the Z-Stream fog machine, you should receive the following items:

1. VR-1T wired timer remote
  2. 1.35 Liters liquid tank for Z-Stream
- Before beginning initial setup of your Z-Stream fog machine, make sure that there is no evident damage caused by transportation.
  - In the event that the unit’s housing or cable is damaged, do not plug it and do not attempt to use it before contacting your dealer for assistance.

## **Setup**

- Remove all packing materials from the fog machine. Check that all foam and plastic padding is removed, especially in the nozzle area.
- Fill with high-quality water-based fog fluid. Any other types of fluid can damage the unit. When filled, place cap back on the liquid tank.
- Firmly connect the remote control to the proper input on the rear of the machine.

## Operation

- Plug power cord into a grounded electrical outlet. Then turn on the power switch on the rear of the unit. The machine starts to warm up right away. At the same time, the “Ready” (Green) and “Power” (Red) lamps on the timer remote control will flash. When warm-up is complete the Green and Red lamps will stay lit.
- To emit fog, press the Green button on the remote and hold for the desired length of time.
- The output will stop when the unit needs to reheat, and the “Ready” (Green) and “Power” (Red) lamps on the timer remote control will flash.
- To activate the timer function, turn the knob from off to on and adjust the knob to the length of time for “INTERVAL” needed.
- When the timer function is activated, the “Timer” (Yellow) lamp will be on and the “OUTPUT” time is fixed to 15 seconds.

## Remote Control Operation

- **VR-1T**: 3 meter wire timer remote controller with 1/4 inch stereo plug.



- ◆ **Z-50 (Optional):** Wireless remote controller with 6,3 mm jack plug. Operation is possible up to a distance of 50 meters. Keep the red button pressed for fogging.



## Maintenance

Do not allow the fog liquid to become contaminated. Always place back both the caps on the fog liquid tank and the fog machine liquid tank immediately after filling.



After every 40 hours of operation, it is recommended to run distilled water through the system to prevent the heater clog.

**Cleaning your fog machine regularly will help reduce costly parts replacement and repair charges.**

## **Important**

Always monitor tank fluid level as you are fogging. Running a fog machine without fluid can permanently damage the unit. If you experience low output, pump noise or no output at all, unplug immediately. Check fluid level, the external fuse, remote connection, and power from the wall. If all of the above appears to be O.K., plug the unit again.

If fog does not come out after pressing the remote button for 30 seconds, check the tube attached to the tank to make sure there is fluid going through inside.

If you are unable to determine the cause of the problem, do not simply continue pressing the remote button, as this may damage the machine. Return the machine to your dealer for inspection.

## **Performance Notes**

- All fog machines develop condensation around the output nozzle. Because this may result in some moisture accumulation on the surface below the output nozzle, consider this condensation when installing your machine.
- Fog machines may spit small amounts of fog occasionally during operation and for a minute or so after being turned off.
- Z-Stream fog machine has a heating cycle after bursts of fog so the machine stops fogging for a short period in order to reheat. During this time no fog can be produced.
- Only use Antari fog liquids.

**Save these instructions**







For current product information visit Antari at: [www.antari.com](http://www.antari.com)  
For information requests please contact us at: [sales@antari.com](mailto:sales@antari.com)



C08128001-ELA

[www.antari.com](http://www.antari.com)