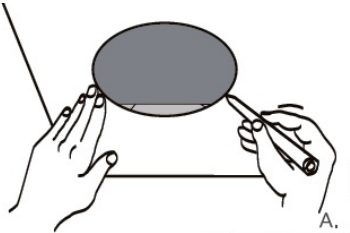
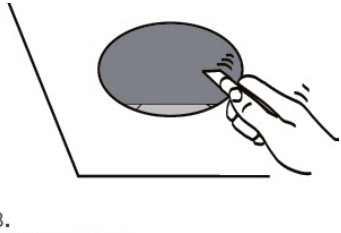
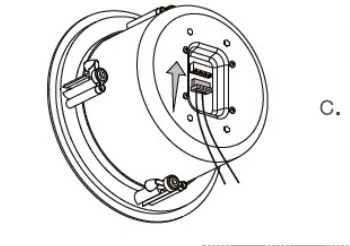
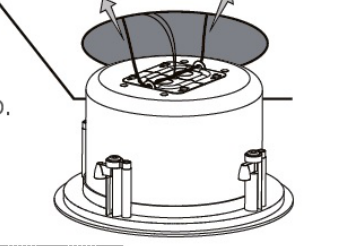
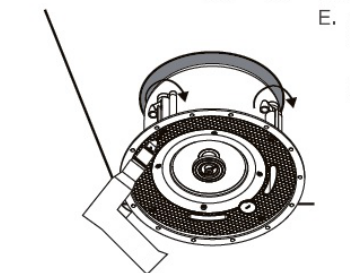
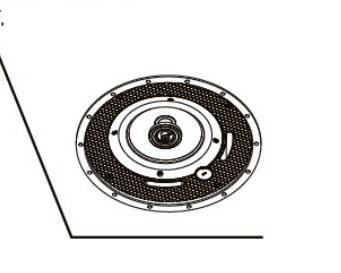


SPCE6T 6.5" Contractor Elite Series 70V Premium In-Ceiling Speaker

Thank you for your choice of Speco Technologies' **SPCE6T** 70V in-ceiling speaker, part of our Contractor Elite series. While these speakers are designed and ideal for background music and paging applications, they are constructed using premium materials and have features you might normally expect to find in a high-end home theater speaker such as an easy-install magnetic grille, aluminum woofer, textured rubberized front baffle and easy mount C-clamps. Be prepared to take your commercial sound to the next level! For your convenience, both black and off-white grilles are included.

INSTALLATION INSTRUCTIONS:

<p>A: Mark area to cut out using included template.</p>			<p>B: Carefully cut 10.44" hole for speaker.</p>
<p>C: Fasten wires to phoenix connector and attach to back of speaker, observing polarity of wiring.</p>			<p>D: Cover back of speaker (if desired), and insert speaker into cutout.</p>
<p>E: While carefully holding speaker, screw each C-Clamp to secure speaker in place.</p>			<p>F: Adjust tweeter to desired angle and transformer to desired value and attach grille.</p>

SPECIFICATIONS:

- Power: 60W RMS/120W Max
- Transformer Type: 70V
- Transformer Power Taps: 32W, 16W, 8W, 4W, 2W, 1W & 8 Ohms
- Sensitivity (1W/1M): 91dB
- Frequency Response: 50Hz ~ 20kHz
- Driver: 6.5" Aluminum Woofer, 1.2" PEI Tweeter
- Speaker Dimensions: 11.26" (Dia.) x 6.1" (D), 10.44" (Dia.) Cutout Dimensions
- Weight: 11.46 lbs.

WARRANTY INFORMATION:

We warrant this product to be free from any manufacturing or material defects for the LIFETIME of the speaker.

This warranty will not extend to any products which have been subjected to misuse, neglect, accident, or improper installation, used in violation of instructions furnished by us; or to units which have been repaired or altered outside of the factory. This limited warranty does not apply to broken cases, batteries, or other physically damaged parts. If a Speco Technologies product is purchased from an unauthorized distributor or other source, including RETAILERS, MAIL ORDER SELLERS and ONLINE SELLERS, it will not be honored or serviced under existing Speco Technologies warranty policy. Any sale of products by an unauthorized source or other manner not authorized by Speco Technologies will void the warranty on the applicable product.

Upon request by customer, Speco Technologies ("The Company") will, at customer's expense, repackage merchandise in new cartons, replace missing accessories, and return in resalable condition. Unless requested, the company will replace and return all merchandise in the packaging in which it was received. This warranty is in lieu of all expressed warranties, expressed or implied, and of all obligations or liability on our part, and we neither assume nor authorize any representative or other person to assume for us any obligation or liability. In no event shall we be liable for incidental or consequential damages arising from the use of the product, or for any delay in the use of this product due to causes beyond our control. Some states do not allow limitations of how long an implied warranty lasts and/or do not allow the exclusion or limitation of consequential damages. The above limitations on implied warranty and consequential damages may not apply to you. This warranty gives you specific legal rights. You may have other rights which vary from state to state. This limited warranty extends to products listed in the company's current price schedule.

Speco Technologies is constantly developing and improving products.

We reserve the right to modify product design and specifications without notice and without incurring any obligation.

