



## Quality Features

- Industry standard 2 Watt 3" square speaker provides clear reproduction of voice communications.
- Choose 8 ohm Model 3CS8 for paging applications and 45 ohm Model 3CS45 for intercom use.
- 45 ohm Model 3CS45 is available with a factory-wired transformer for fast installation using color-coded leads.

## Description

Lowell 3 inch square Models 3SC8 (8ohm) and 3SC45 (45 ohm) are ideal for custom built paging or intercom applications, respectively. Lowell Models 3SC8 and 3SC45 provide wide coverage and are often specified for reliable performance in commercial, industrial, and institutional applications wherever a physically small speaker with 2 watt power handling is specified.

The Models feature a 2.35oz strontium ferrite magnet. They also include a 0.562" voice coil and high fiber content molded paper cone. The loudspeaker basket is zinc-plated steel with a clear chromate dip finish to prevent corrosion.

The drivers are specifically engineered to provide good frequency response and wide dispersion for solid performance in small paging and intercom systems. Each driver's small size and broad beamwidth of 170 degrees make it especially useful in custom built applications. The 45 ohm Model 3SC45 is available with a factory wired 70V or 25V transformer (see p.2).

*\*Model 3SC45 is used in Lowell's ISX Series intercom station speaker assemblies and is often specified to mount ISP Series intercom wall plates from Lowell.*



**3SC8, 3CS45**

2 Watt 3" Square Driver

**A  
U  
D  
I  
O**

**12"/10"**  
Speakers & Accessories

**8"**  
Speakers & Accessories

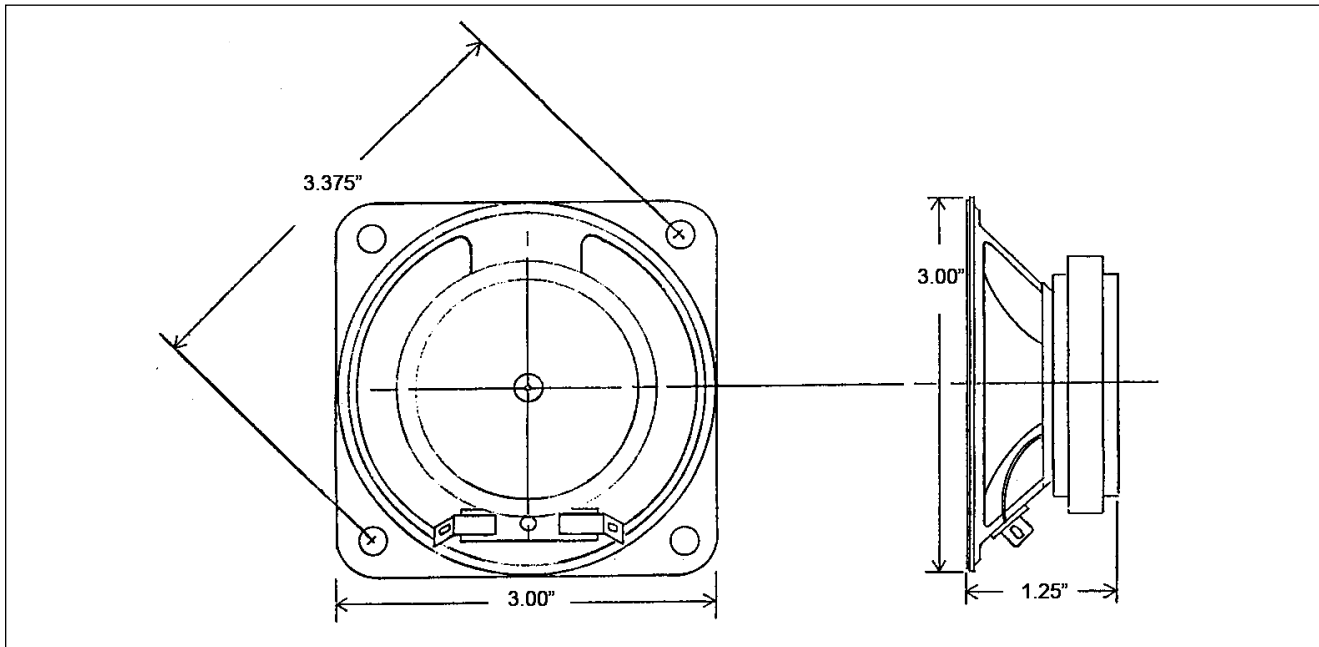
**6"**  
Speakers & Accessories

**4"**  
Speakers & Accessories

**Horn**  
Speakers & Accessories

**Masking**  
Speakers & Generators

  
**Control**  
Accessories & Electronics



**Specifications: Lowell Driver Models 3SC8 and 3CSC45**

**PERFORMANCE**

Power Handling	2 watts RMS (nominal)
Sensitivity	96dB SPL 18", 1/2 W
Impedance	8 ohms (3SC8), 45 ohms (3CSC45)
Frequency Range	200Hz-12kHz
Dispersion Angle	170° @ 2000Hz octave (-6dB)

**PHYSICAL - WOOFER**

Magnet Weight, Material	2.35 oz. (66.62g), strontium ferrite
Magnet Adhesive Material	Second generation acrylic
Voice Coil Diameter	0.562in. (14.29mm)
Cone Material	Molded high fiber content paper

**MECHANICAL**

Basket Material	Zinc -plated steel with clear chromate dip
Outside Diameter	3 inch (76.5mm)
Mounting Depth	1.25 inch (31.75mm)
Magnet Diameter	2.1 inch (53.34mm) outside diameter x .8 inch (20.32 mm) inside diameter
Net Weight	10 oz. (283.5g)

**Optional 45 ohm Transformer Specifications**

Model	Xfmr Primary Voltage	Power Rating	Primary Taps	Secondary Impedance	Core Size	Insertion Loss	Frequency Response	Size H x W x D
<b>TLM7045</b>	70V	1W	1, .5W	45 Ohms	.375" x .375"	1.5dB	150Hz-9kHz ±1dB	1.186" x 2.062" x 1.125"
<b>TLM2545</b>	25V	1W	1, .5W	45 Ohms	.375" x .375"	1.5dB	150Hz-9kHz ±1dB	1.186" x 2.062" x 1.125"

Intercom Accessories