

Opti Par ETL



The Opti Par ETL by elation Professional is a low profile Par available in black, white and polished aluminum casing. This unit features special design reflector, interchangeable lenses, a 360° rotating ring and attractive case design which is great for architectural settings. The lamp is not included with this unit but six lamp source options are available, please see below for details. The Opti Par ETL produces a standard beam angle of 10° with the included very narrow lens (OPTI/LVN). Optional narrow, medium and wide lens kits along with a lens removal tool are available. 7.5" x 7.5" gel frame is included and rigging for this unit includes a heavy duty yoke, safety and data cable are available optional accessories.

FEATURES

- Low Profile Par available in black, white and polished aluminum casing
- High impact aluminum case design
- Special design reflector for higher output than conventional par cans
- Low Power Consumption enables the use of many opti-pars
- Interchangeable lenses make it simple to change beam field and angles
- High Temp. Rotating lens Ring for Beam adjustment
- 360° Rotating Ring.
- Attractive case design great for architectural settings

TECHNICAL SPECIFICATIONS

- **Power Supply:** 120V/60HZ
- **Cable / Plug Type:** Cable included (No Plug)
- **Approvals:** cETLus, CE and City of LA approved
- **Lamp:** Not included, see lamp source options
- **Gel frame included:** size 7.5" x 7.5"
- **Lens:** Very Narrow Lens Included (OPTI/LVN)
- **Lux:** 2900 Lux @ 5M (with included Very Narrow lens)
- **Dimensions:** (LxWxH) 11.5"x8.5"x8.5" / 292 x 216 x 216mm
- **Weight:** 7 lbs / 3.2 kg
- **Rigging:** Heavy duty yoke, safety and data cable are available optional accessories.

Lamp Source Options	Description
PHILIPS ZB-GLA	115v-575w-3050k-1500hrs
PHILIPS ZB-GLC	115v-575w-3200k-300hrs
ZB-HX600	120v-575w-3200k-300hrs
ZB-HX601	120v-575w-3050k-1500hrs
ZB-HX400	120v-400w-3200k-300hrs
ZB-HX401	120v-400w-3050k-1500hrs

Accessories	Description
OPTI/BDB	Barn Door For Opti Par Black
OPTI/BDW	Barn Door For Opti Par White
OPTI/GF	Gel Frame for Opti Par (included)
Z-OP/LR	Lens removal tool

Lens Options	Description
Opti/LVN	Very narrow Lens (Included)
Opti/LN	Narrow Lens
Opti/LM	Medium Lens
Opti/LW	Wide Lens



Opti/LVN
Very Narrow Lens

Opti/LN
Narrow Lens

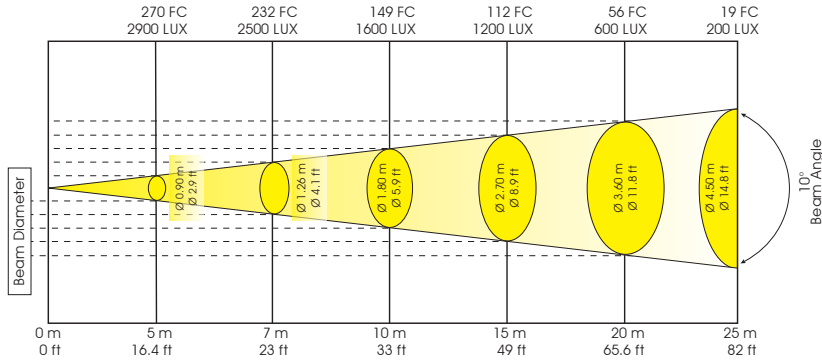
Opti/LM
Medium Lens

Opti/LW
Wide Lens

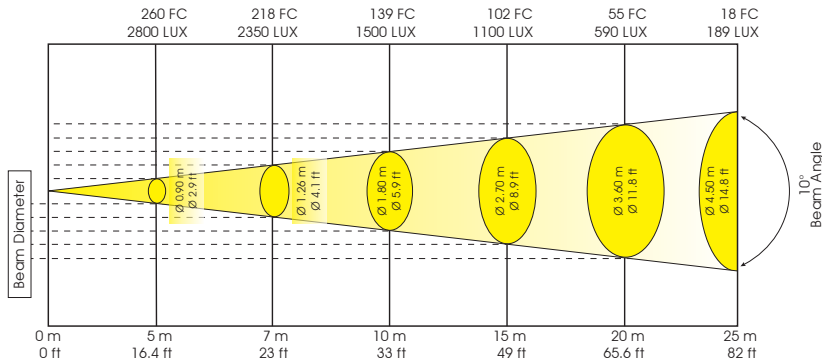
PHOTOMETRICS

Very Narrow Lens, Standard 10° Beam Angle

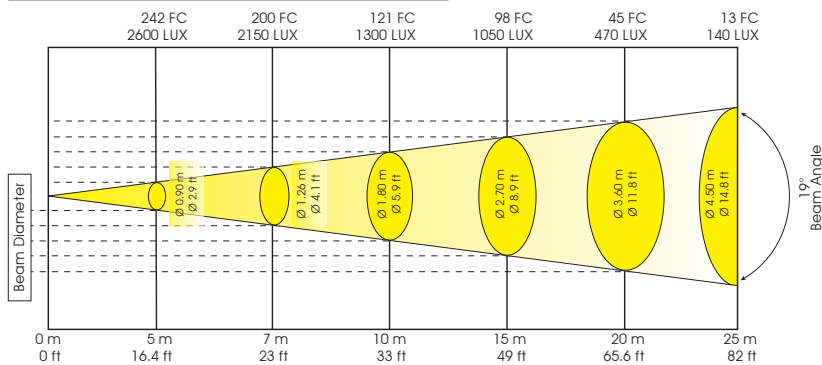
LUX × 0.0929 = FC



Narrow Lens, 10° Beam Angle (Optional)



Medium Lens, 19° Beam Angle (Optional)



Wide Lens, 32° Beam Angle (Optional)

