

GMB 33 S / GMB 35 S

Microphone Base



GMB 33 S



GMB 35 S

FEATURES

- Solid metal housing
- Backlit button to switch microphone on or off
- Raised button design for tactile operation
- **GMB 33 S** with 3-pin female XLR connector for gooseneck microphones **without** LED ring
- **GMB 35 S** with 5-pin female XLR connector for gooseneck microphones **with** LED ring
- GMB 33 S with 3-pin and GMB 35 S with 5-pin male XLR connector for mixing consoles / amplifiers
- Configuration switches at the bottom

APPLICATIONS

The GMB 33 S / GMB 35 S microphone base is combined with a gooseneck microphone with integrated pre-amplifier and can be used for discussions, podiums, tele and video conferencing etc. In order to power the microphone the base is connected to a mixing console or amplifier with phantom power. The microphone is turned on or off with the button. The backlit button indicates the status.

Using the switches at the bottom of the GMB 35 S various operating modes can be selected in combination with a DSP audio device or external media control system. This allows using the GMB 35 S as a normal microphone or as a unit in a conference systems.

Operating modes

- Normal: The microphone is manually turned on or off. The LED of the button and the LED ring are also turned on or off.
- Bypass: The microphone is permanently activated.
- External: The microphone is always activated. The LED of the button and the LED ring are controlled externally via the logic input.
- Request-to-speak: The microphone button triggers the request-to-speak status and sends a command to the logic output (the button displays the request-to-speak status). The microphone is turned on by an external control signal via the logic input. The LED in the button changes colour and the LED ring is turned on.

VERSIONS

- GMB 33 S Microphone base with 3-pin female XLR connector for gooseneck microphones **without** LED ring. . . . Order # 725.242
- GMB 35 S Microphone base with 5-pin female XLR connector for gooseneck microphones **with** LED ring Order # 725.188

OPTIONAL ACCESSORIES

Gooseneck Microphones

- Classis GM 302 3-pin male XLR, 200 mm Order # 489.557
- Classis GM 303 3-pin male XLR, 300 mm Order # 722.383
- Classis GM 304 3-pin male XLR, 400 mm Order # 722.391
- Classis GM 305 3-pin male XLR, 500 mm Order # 722.405
- Classis GM 306 3-pin male XLR, 600 mm Order # 724.246
- Classis GM 314 5-pin male XLR, 400 mm, LED ring. Order # 722.448
- Classis GM 315 5-pin male XLR, 500 mm, LED ring. Order # 722.456

TECHNICAL SPECIFICATIONS

- Supply voltage
- GMB 33 S Phantom powering 24 - 48 V via mixing console / DSP at 2 k Ω
- GMB 35 S Phantom powering 48 V via mixing console / DSP at 2 k Ω
- Audio input GMB 33 S: 3-pin XLR, female
GMB 35 S: 5-pin XLR, female
- Audio output. GMB 33 S: 3-pin XLR, male
GMB 35 S: 5-pin XLR, male
- GMB 35 S: LED supply. 5-pin XLR, female (max. 4 mA / 4.6 V)
- Power consumption
- microphone base and LED ring 8 - 10 mA
- GMB 35 S:
- Logic control input 0.03 mA at TTL 5 V via 5-pin XLR, male
- Logic control output Open Collector (max. 100 mA / 50 V)
- Dimensions 135 x 135 x 44 mm [5.3"x5.3"x1.7"]
- Weight 1200 g [2.6 lbs.]

GMB 33 S / GMB 35 S

ARCHITECT'S SPECIFICATIONS

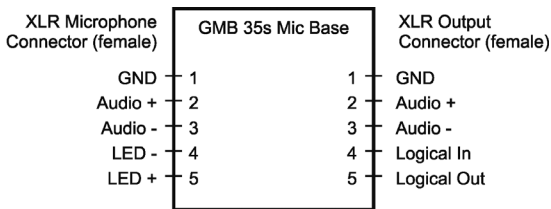
The microcontroller-controlled microphone base shall feature a non-latching, silent and backlit button. The status display in red shall indicate an activated microphone. A detachable condenser gooseneck microphone with an integrated preamplifier / impedance converter shall be connected to the 3-pin female XLR connector. The operating mode selector switch shall allow the selection of the operating modes on / off or bypass. The microphone shall be powered by phantom power of 24V to 48V. The microphone base shall be connected via a 3-pin male XLR connector. The dimensions (LxWxH) shall be 135x135x44mm [5.3"x5.3"x1.7"]. The weight without cables shall be 1200g [2.6 lbs.].

Manufacturer: beyerdynamic
Type: GMB 33 S

The microcontroller-controlled microphone base shall feature a non-latching, silent and backlit button. The status display in red shall indicate an activated microphone. A detachable condenser gooseneck microphone with an integrated preamplifier / impedance converter and LED ring shall be connected to the 5-pin female XLR connector. The operating mode selector switch shall allow the selection of the operating modes on / off, bypass, external control and request-to-speak. The logic control for the inputs and outputs shall be connected to an external media control system or audio DSP matrix. The microphone shall be powered by 48V phantom power. The microphone base shall be connected via a 5-pin male XLR connector. The dimensions (LxWxH) shall be 135x135x44mm [5.3"x5.3"x1.7"]. The weight without cables shall be 1200g [2.6 lbs.].

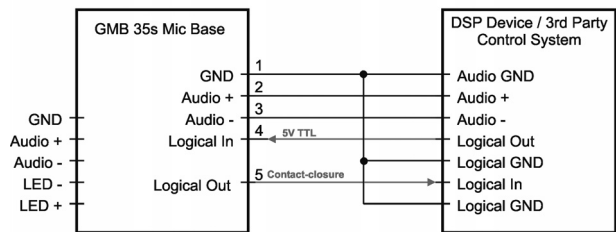
Manufacturer: beyerdynamic
Type: GMB 35 S

PIN ASSIGNMENT



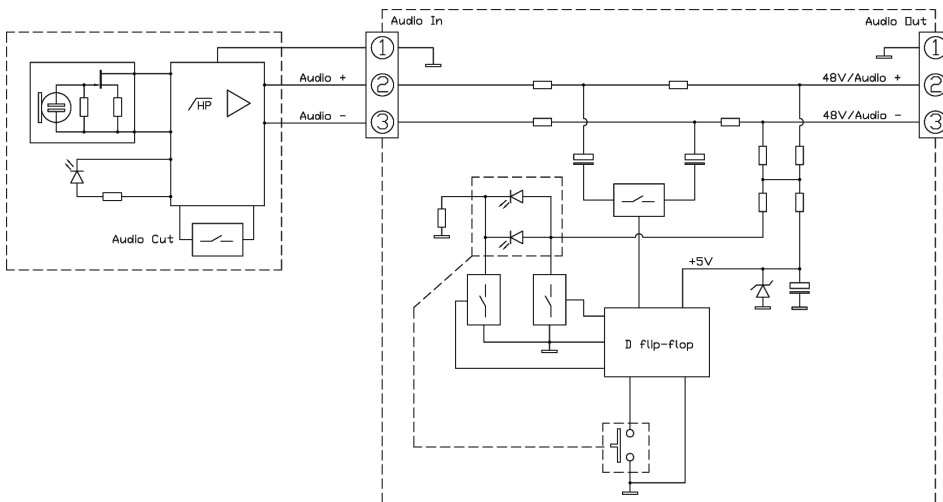
APPLICATION EXAMPLE WITH EXTERNAL CONTROL

Schematic Diagram of System Connection



WIRING DIAGRAM

GMB 33 S



GMB 33 S / GMB 35 S

WIRING DIAGRAM

GMB 35 S

