



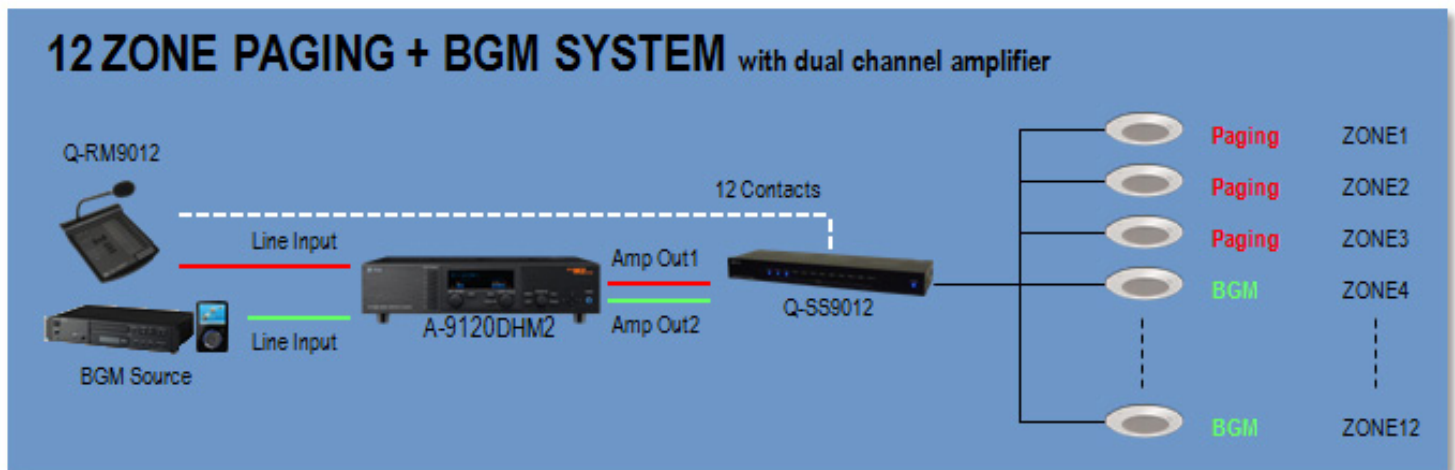
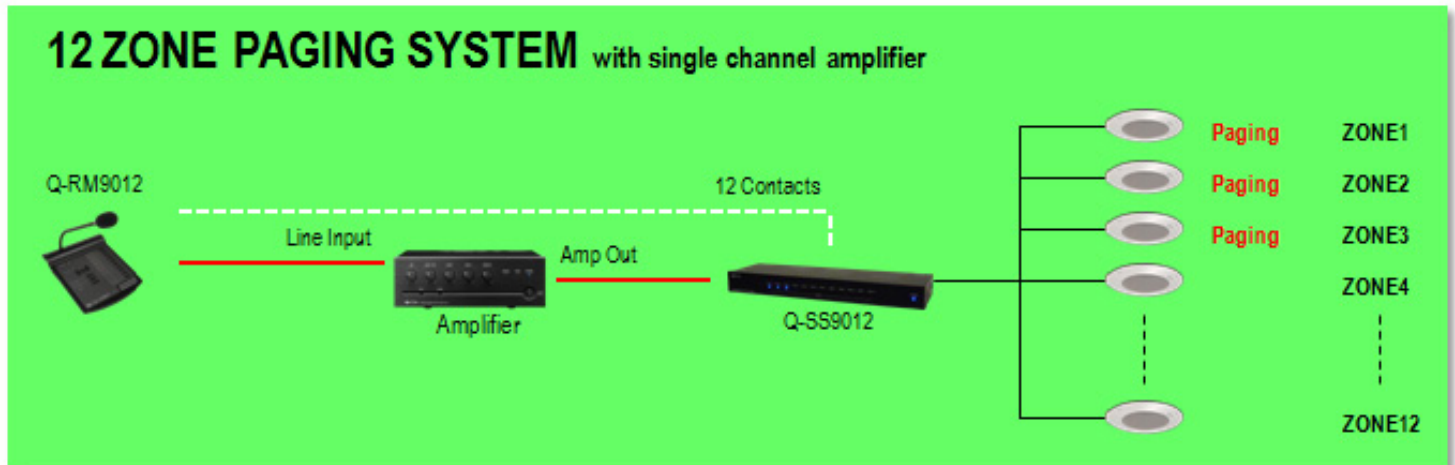
MULTI-ZONE PAGING SYSTEM



Low-cost solution for paging to a maximum of 12 speaker zones with a user-friendly remote microphone.

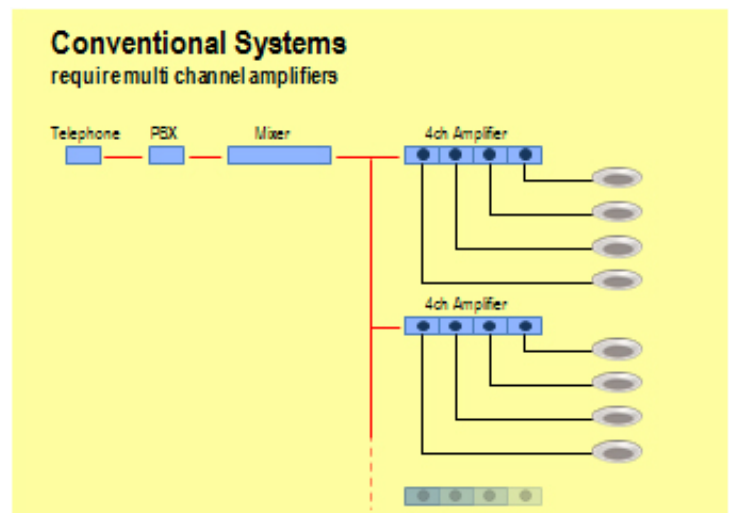
The cost-effective Multi-Zone Paging System is achieved with TOA's zone selectable remote paging microphone and speaker line selector.

TOA's multi zone paging system allows paging up to 12 zones, utilizing a single channel amplifier by activating the speaker line selector from the desktop remote microphone.



No More Multi Channel Amplifier for Multi-Zone Paging System

The Q-SS9012PS Multi-Zone Speaker Selector has 2 amplifier inputs and 12 individual relay switches to select the amplifier connected to each 12 speaker line/zone. This allows up to 12 zones for paging and BGM distribution with a dual channel amplifier or simple paging system with only a one channel amplifier. TOA's new concept offers a real cost effective multi-zone paging system.



Q-RM9012PS

REMOTE PAGING MICROPHONE

FEATURES

- Announcement to the selected zones out of a maximum of 12 zones
- Paging zones may be selected individually or in groups
- An All-call Button for selecting all zones
- A Clear Button for clearing all zone selections
- LED indicator for each selector
- Unidirectional electret condenser microphone with balanced audio output
- All connections to amp/speaker selector via shielded CAT5 cable
- AD-246 Power Supply included



Q-SS9012PS

MULTI-ZONE SPEAKER SELECTOR

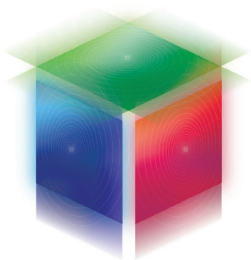
FEATURES

- 12 contact inputs and 12 speaker outputs. Power amp input is split into 12 zones with activation via contact closure
- Can facilitate paging over BGM by switching between BGM output (amp input 2) and Page output (amp input 1)
- LED indicator for each selector
- 19" rack-mountable (using optional MB-15B)
- Supplied with AD-246 AC Adapter



Specifications	Q-RM9012PS Remote Paging Microphone
Power Source	24 V DC from AC adaptor AD-246 or equivalent
Power Consumption	80mA or less
Audio Output	0 dB, 600 Ohms, transformer balanced, RJ45 connector
Distortion	1% or less
Frequency Response	100 - 20,000Hz
S/N Ratio	60dB or more
Microphone	Unidirectional electret condenser microphone
Control Output	12 channels, open collector output, withstand voltage: 27V DC, control current: max. 50 mA, (2) RJ45 connectors
Number of Keys	12 zone selection keys, All call key, Cancel key, Talk key
Volume Control	Microphone volume control
Operating Temperature	-10C to + 40C (14F to 104F)
Finish	ABS resin, Black
Dimensions	190 W x 76.5 H X 215 D mm (Gooseneck microphone excluded)
Weight	750g
Supplied Accessory	AC Adaptor: AD-246

Specifications	Q-SS9012PS Multi-Zone Speaker Selector
Power Source	24 V DC from AC adaptor AD-246 or equivalent
Power Consumption	400mA or less
Power Handling	250W or less (70V/100V line) per channel (IN1, IN2)
Control Input	12 channels, dry (no voltage) contact closures, open voltage: 3.3V DC, short-circuit current: under 1 mA, removable terminal block (24 pins)
Speaker Terminal	Removable Terminal Block (2 pins, IN1, IN2, Zone1 - 12)
Control Terminal	Removable Terminal Block (24 pins_
Operating Temperature	-10C to +40C (14F to 104F)
Finish	Case: Surface-treated steel plate, Black
Dimensions	420 W x 44 H x 123 D mm
Weight	1.6kg
Accessory	Removable Terminal plug (2pins) Removable Terminal Plug (12 pins) Removable Terminal Plug (14 pins)
Supplied Accessory	AC adaptor: AD-246
Options	Rack mount bracket: MB-15B, Wall mount bracket: YC-850



Human Society with
Sound & Communication

TOA Electronics, Inc.

www.toaelectronics.com

Specifications subject to change without notice.