

SYSTEM 19/MP

2' x 2' CLASS

2-Way, Full Range, 6-1/2" Woofer - 1" Tweeter,
20W-70V Rotary Select with 8 Ohm Position, 'MicroPerf' Grille



GENERAL DESCRIPTION

The **SYSTEM 19/MP** is a complete, 2-way, shallow depth, lightweight, 2' x 2' ceiling tile replacement loudspeaker system consisting of an 6-1/2" O.D. woofer, 1" dome tweeter, and a 20W-70V rotary select transformer with an 8 Ohm position. Molded fiber enclosure is 1,412 CID. White, powder coated, 'MicroPerf' steel baffle with five (5) seismic tie-off points. The cable clamp is included. No assembly required.



INTENDED USE - Indoor Environment

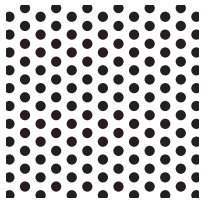
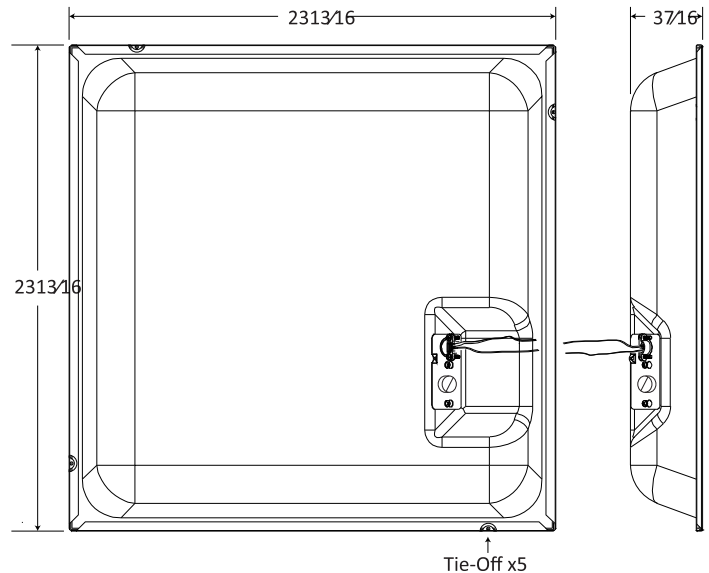
| | |
|-------------------------|--|
| Program Material | Signal tones, voice, and music |
| Installation | Mounted parallel to floor plane in a 24" wide suspended ceiling tile grid. |

AUDIO SPECIFICATIONS

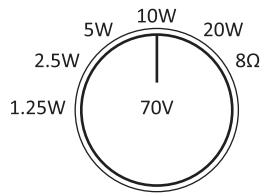
| | |
|---------------------------------|---|
| Average Sensitivity | 95 dB SPL, 1W/1M |
| Loudspeaker Power Rating | 20W RMS EIA 426A Standard |
| Calculated Output | 108 dB-SPL 20W/1M |
| Magnet Type & Weight | BeFe Ceramic, 10 oz. Nominal |
| Frequency Response | 40 Hz - 20 kHz EIA 426A Standard |
| Nominal Coverage Angle | 100° Included Angle -6 dB / 2 kHz, Half space |
| Audio Connection | 12" Leads |
| Unit Weight | 7.85 Lbs |

SYSTEM COMPONENTS

| | |
|---------------------|--|
| Loudspeakers | 6-1/2" O.D Woofer, 1" Dome Tweeter |
| Transformer | 20W-70V : 5 tap + 8 Ohm, Rotary Select (20W, 10W, 5W, 2.5W, 1.25W, 8 Ohm) |



'MicroPerf' Pattern
Shown as 1" Square Sample



Speaker Tap Selector

| | | | | |
|--|--|--|--|---|
| <p>Recommended construction sequences, installation instructions, and A&E Specifications are available in various formats in the QUAM Architects' and Engineers' Resources section on the web at: www.QuamSpeakers.com</p> | | | | <p>QUAM-NICHOLS COMPANY, INC. 234 East Marquette Rd. Chicago, IL. 60637 Tel: 1-800-NEED-NOW (800-633-3669) Fax: 1-888-NEED-NOW (888-633-3669) e-mail: NeedNow@QNC.com www.QuamSpeakers.com</p> |
| <p>© 2013 Quam-Nichols Company reserves the right to make changes and/or improvements to its products at any time and without notice.</p> | | | | |