

Remote Power Controls — low-voltage, surface-mount



Lowell remote power controls may be combined with a variety of switches, modules, and/or sequential control devices (manufactured by Lowell or others) to provide a versatile low-voltage method of turning specific equipment on and off from a remote location. The ability to safely control AC power distribution without directly accessing equipment minimizes the potential for accidental or unauthorized system modifications or vandalism. System integration applications include commercial, educational, entertainment, government, and religious facilities where remote power control is required.

RPC controls are typically installed in rear of rack, in close proximity to equipment that is to be remotely switched. Low-voltage, 3- or 4-conductor cable is then run from the RPC terminal strip to a control switch (such as Lowell RPS series wall or rackmount switches). Systems may also be configured with multiple RPC controls activated by a single switch (application 1) or with one or more RPC controls activated by multiple switches (application 2). RPC controls are also a key component in Lowell's SCS series modular low voltage sequential control systems. Each RPC assembly includes a power supply and relay with selection of outlet and termination styles to meet application needs. Units are housed in a steel chassis with a black powder epoxy finish. Assemblies are ETL Listed (UL 813).

Features:

- Low voltage power controls combine with low voltage switches to achieve remote on/off triggering of AC equipment.
- Compact size surface mounts nearly anywhere
- Low voltage connections allow for cost effective wiring and installation.
- Termination with 6-ft. cord or metal whip
- ETL Listed in the U.S. and Canada
- Made in the U.S.A.
- **No. RPC-1-20A-CD:** Includes 20A duplex receptacle and 6-ft. cord.
- **No. RPC-1-IG-MC:** Includes 20A duplex receptacle with isolated ground protection to minimize potential for ground loop and noise problems and 6-ft. metal-clad whip.



RPC-1-20A-CD



RPC-1-IG-MC

System Accessories: Order Separately

<i>Remote Switches - Maintained Closure (single switch use) - keylock also available</i>	
RPSW-P	Switch SPST rocker w 1LED maintained 1 ga wallplate
RPSB-R	Switch SPST rocker w 1LED maintained 1U rackpanel
<i>Remote Switches - Momentary Closure (multiple switch use) - keylock also available</i>	
RPSW-MP	Switch SPST rocker w 1LED momentary 1 ga wallplate
RPSW2-MP	Switch SPST rocker w 2LED momentary 1 ga wallplate
RPSB-MR	Switch SPST rocker w 1LED momentary 1U rackpanel
RPSB2-MR	Switch SPST rocker w 2LED momentary 1U rackpanel
<i>Momentary Switch Module (req. for multiple momentary switches)</i>	
MSM2	Momentary switch module for multiple switches

Model No.	Description	Power Rating	Outlet Type	Size	Termination	Switch Type
RPC-1-20A-CD	Power control, low-voltage	20A, 125VAC	1 duplex	7.5"L x 3.25"W x 2.75"H	6 foot cord	Dry contact*
RPC-1-IG-MC	Power control, low-voltage	20A, 125VAC	1 iso-grd duplex	7.5"L x 3.25"W x 2.75"H	6 foot whip	Dry contact*

*Minimum rating 30 vdc, 40 mA.

Spec. No. **1c-301**
(rev. 09.11.14)
pg. 1 of 2

©2014 Lowell Manufacturing Company, 100 Ingram Dr., Pacific MO 63069. Phone—800.325.9660
Fax—636.257.6606. Lowell makes every effort to provide accurate information while reserving the right to change specifications and/or improve manufacturing methods without notification. (lowellmfg.com)

Lowell[™]

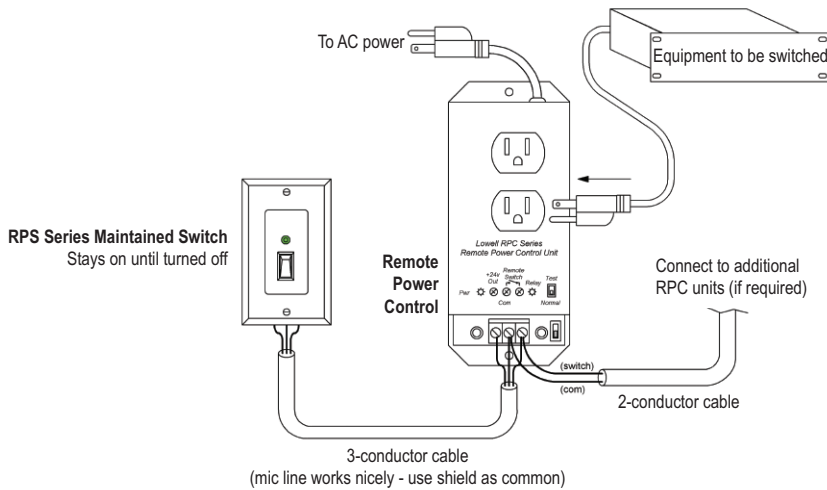
A & E Specifications:

The device for remotely controlling AC power shall be Lowell remote power control Model _____. It shall include a power supply and relay housed in a 7.5"L x 3.25"W x 2.75" steel chassis. The unit shall include one _____ (duplex, isolated ground duplex) outlet with a power rating of 20A and shall terminate with a 6-ft. (cord, metal-clad whip).

Single Switch Applications: The remote switching device for single switch applications shall be Lowell RPS series maintained contact wall switch Model _____ or maintained contact rack panel model _____.

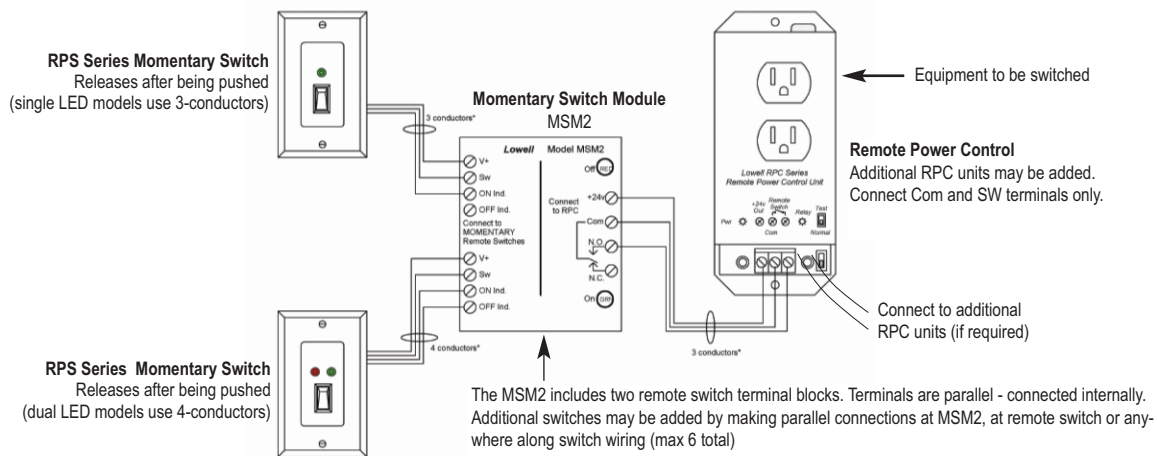
Multiple Switch Applications: To remotely control one or more RPC units, Lowell momentary switch module Model MSM2 and Lowell RPS series momentary contact wall switch Model _____ or momentary rack panel switch model _____ shall be used.

Application 1: One or multiple RPC controls activated by a single maintained switch



Wiring Notes: Maximum distance between switch and RPC is: 22 ga: Max distance is 6,600 ft. (1.25 miles), 18 ga: Max distance is 17,160 ft. (3.25 miles)

Application 2: One or multiple RPC controls activated by multiple momentary switches



Wiring Notes: Maximum distance between switches, MSM2 and RPC is: 22 ga: Max distance is 6,600 ft. (1.25 miles), 18 ga: Max distance is 17,160 ft. (3.25 miles)