

20A Five-Circuit Power Strip — with remote power control, hardwired, optional IG outlets

Description:

Lowell multi-circuit power strips with Remote Power Control are engineered for applications where multiple AC power circuits and the convenience of controlling AC distribution from a remote location is specified or required. ETL-listed devices are made in the USA and include multi-mount brackets for easy installation nearly anywhere including racks with a minimum panel space height of 61.25" (35U).

- **Model ACS-2018-5C-RPC-HW** is a power strip with five 20A circuits, 18 outlets (9 duplex), Remote Power Control (RPC) and hardwire termination.
- **Model ACS-2018-IG-5C-RPC-HW** is the same with Insulated Ground (IG) duplex receptacles (identified by orange face).

Each strip features one unswitched 20A duplex receptacle plus four circuits of two 20A duplex receptacles. Each of the four switched circuits includes a Remote Power Control terminal that allows equipment (plugged in to the strip) to be turned on/off from a remote location using low voltage wiring and companion switches and/or sequencers. This low voltage method of safely controlling AC power remotely is cost effective to install and minimizes the potential for accidental or unauthorized system modifications, adjustments or vandalism.

The chassis is manufactured of heavy gauge steel and finished in black powder epoxy. It measures 60"L x 2"W x 2"H. Outlets are 20A NEMA 5-20R duplex receptacles. Strip terminates to flexible (non-metal) conduit with pigtail leads at the end and a rotating connector on the chassis. Pigtail leads are tagged for easy circuit identification. Conduit length is 6-foot and may be easily trimmed in the field to meet wire looming needs. An optional 6"L x 6"W x 3"D junction box kit (model ACMJBEX-4) can be mounted on top the rack or elsewhere to facilitate hardwire connections. The strip is easily installed with versatile outlet orientation facing forward, center or rear using Lowell's Multi-mount brackets (included).

Features:

- 5-circuit 20A power strip with terminals for remote power control of connected equipment.
- 18 outlets: one unswitched 20A duplex plus four circuits of two 20A duplex.
- Terminates to 6-ft. flexible conduit with pigtail leads.
- Multi-mount brackets provide mounting versatility nearly anywhere.
- 60"L x 2"W x 2"H: mounts in racks with a min. panel space height of 61.25" (35U)
- ETL Listed (US and Canada), Made in the USA

A & E Specifications:

ETL Listed multi-circuit power strip with low voltage remote power control of connected equipment shall be US-made, Lowell Model ACS-2018-5C-RPC-HW or Model ACS-2018-IG-5C-RPC-HW with insulated ground outlets. Power rating shall be 20A. Strip shall include one circuit (unswitched 20A duplex receptacle) plus four circuits of two 20A duplex receptacles (NEMA 5-20R). Each switched circuit shall include a remote power control terminal for low voltage connection to remote switch(es) or sequential control device(s). The chassis shall measure 60"L x 2"W x 2"H and terminate with rotating connector to flexible, non-metal conduit that is 6-foot long with pigtail leads. Chassis shall be heavy gauge steel finished in black powder epoxy. It shall install to cabinets with adjustable or fixed mounting rails and to surfaces using multi-mount brackets and hardware provided.

[Remote power control accessories shall be Lowell remote switch Model _____ or Sequencer Model _____.]



ACS-2018-5C-RPC-HW

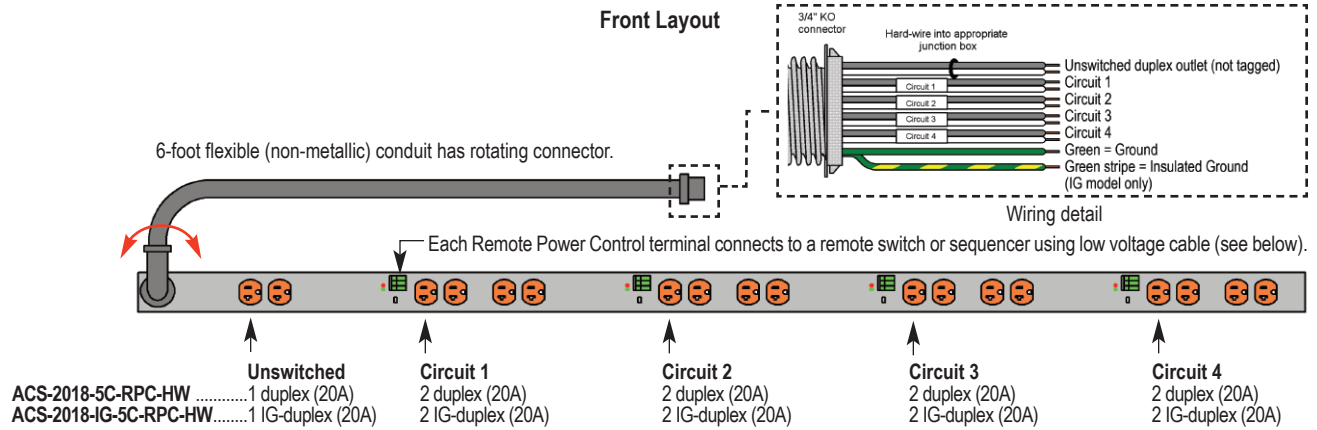
| Compatible Switches and Sequencers for Remote Power Control | |
|---|---|
| <i>Remote Switches (order separately)</i> | |
| RPSW-P | SPST lighted 1-gang wallplate, rocker switch |
| RPSW-KP | SPST lighted 1-gang wallplate, key switch |
| RPSB-R | SPST lighted 1U panel, rocker switch |
| RPSB-KR | SPST lighted 1U panel, key switch |
| <i>Low Voltage Sequencers (order separately)</i> | |
| SCS-4R | 4-ch. time delay, rocker switch, 1U |
| SCS-4RK | 4-ch. time delay, key switch, 1U |
| SCS8R-ASM | 8-ch. time delay & alt sequence mode, rocker switch, 1U |
| SCS8RK-ASM | 8-ch. time delay & alt sequence mode, key switch, 1U |
| SCS-4 | 4-step sequencer, non rackmount |
| SCS-8 | 8-step sequencer, non rackmount |

| Model | Description | Power Rating | Outlets* | Termination (hardwire) | Remote Power Control | NRTL Listing | Size (LxWxH) |
|-----------------------|-----------------------------|--------------|------------------|------------------------|----------------------|--------------|---------------|
| ACS-2018-5C-RPC-HW | 5-circuit Power Strip w RPC | 20A, 125 VAC | 18 (9 duplex) | 6 ft. flex conduit | low voltage terminal | ETL | 60" x 2" x 2" |
| ACS-2018-IG-5C-RPC-HW | 5-circuit Power Strip w RPC | 20A, 125 VAC | 18 (9 IG-duplex) | 6 ft. flex conduit | low voltage terminal | ETL | 60" x 2" x 2" |

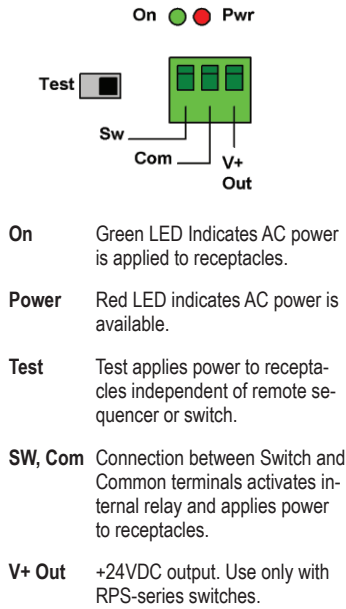
*one unswitched circuit 20A duplex receptacle plus four circuits of two 20A duplex receptacles = total of 18 outlets



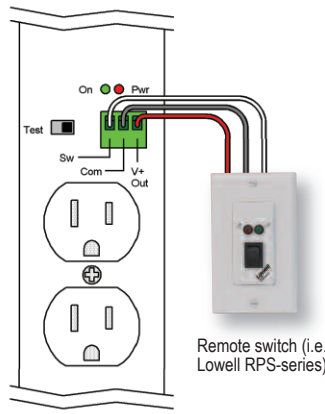
20A Five-Circuit Power Strip — with remote power control, hardwired, optional IG outlets



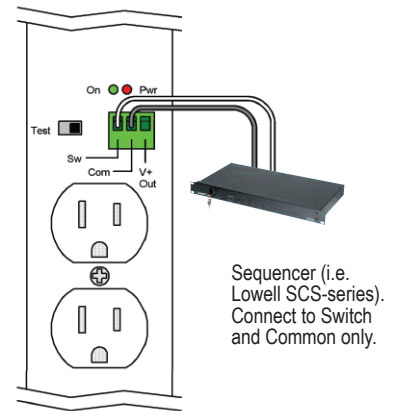
Remote Power Control Function



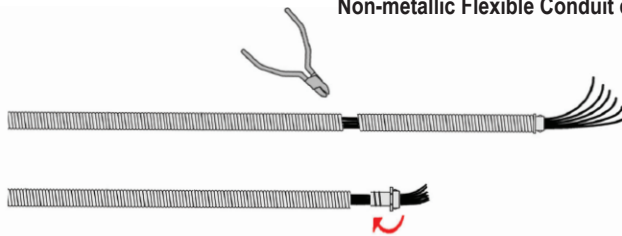
Remote Power Control Connection to remote switches (wall or rackmount)



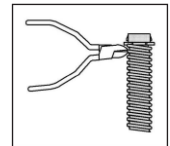
Remote Power Control Connection to sequencers or control systems with dry contact closure



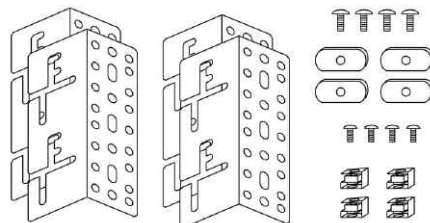
Non-metallic Flexible Conduit can be Trimmed in the Field



1. Snip reinforcing rib at desired length. Bend and carefully cut around conduit without cutting wires inside. Remove excess conduit.
2. Snip 2 or 3 ribs around the connector and remove connector from excess conduit.
3. Attach connector to shortened conduit length.



Multi-Mount Brackets



Brackets include multiple hardware sets for versatile installation (see Dia. A).

- (4) Brackets
- (4) 1/4"-20 x 1/2" screws
- (4) flat nuts
- (4) 10-32 x 1/2" screws
- (4) cage nuts