

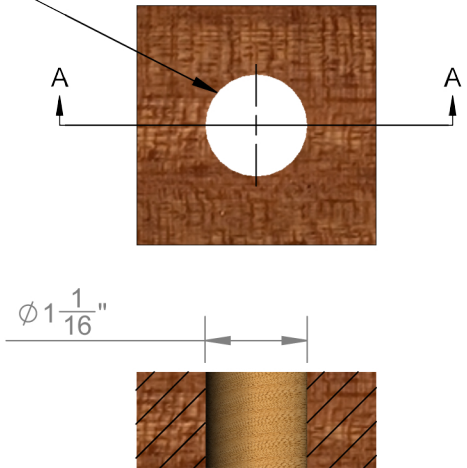
Step 2)
Insert the LumiComm™ Touch Ring's Connector Board and its FFC cable through the Mounting Hole followed by Microphone Body.

Never attempt to disconnect the LumiComm™ Touch Ring connector board from the FFC Cable.

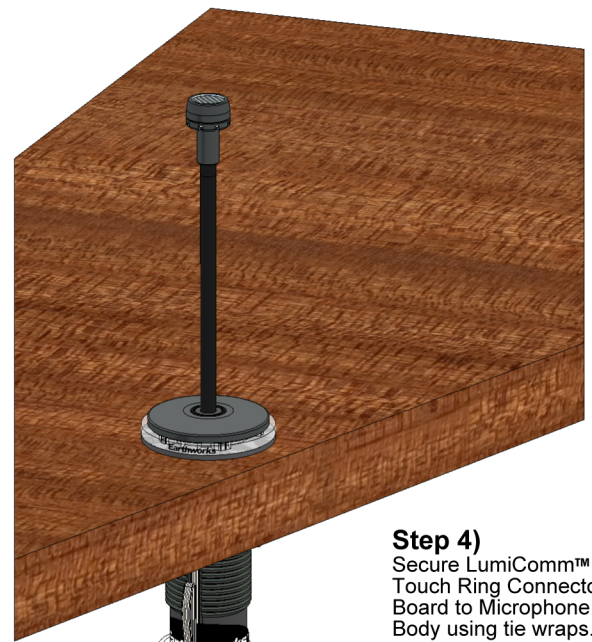
This connector is glued in place at the factory.



Step 1)
Drill $\varnothing 1 \frac{1}{16}$ " Mounting Hole through Tabletop.

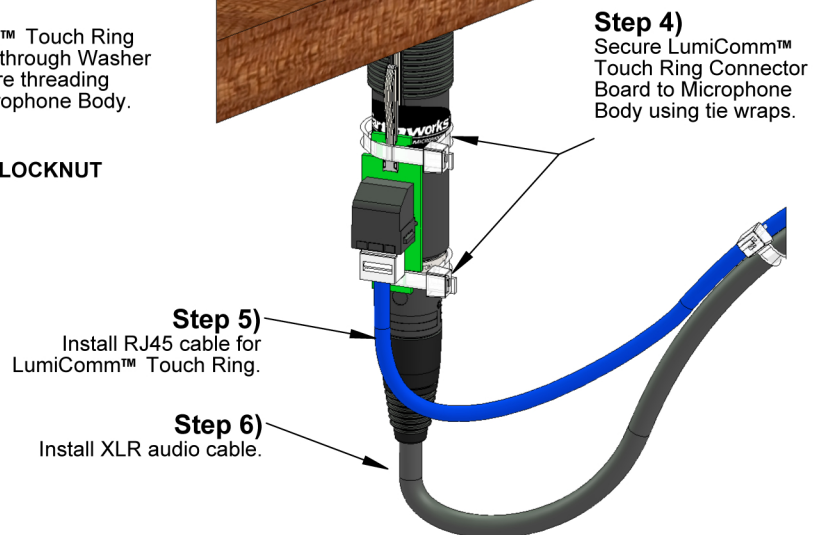
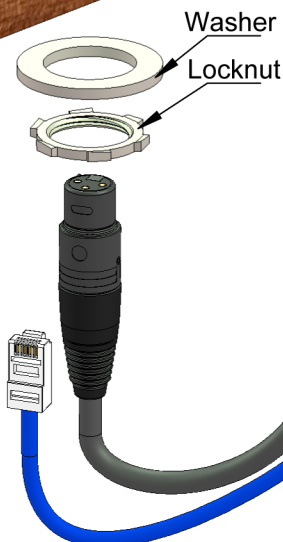


SECTION A-A



Step 3)
Insert LumiComm™ Touch Ring Connector Board through Washer and Locknut before threading Locknut onto Microphone Body.

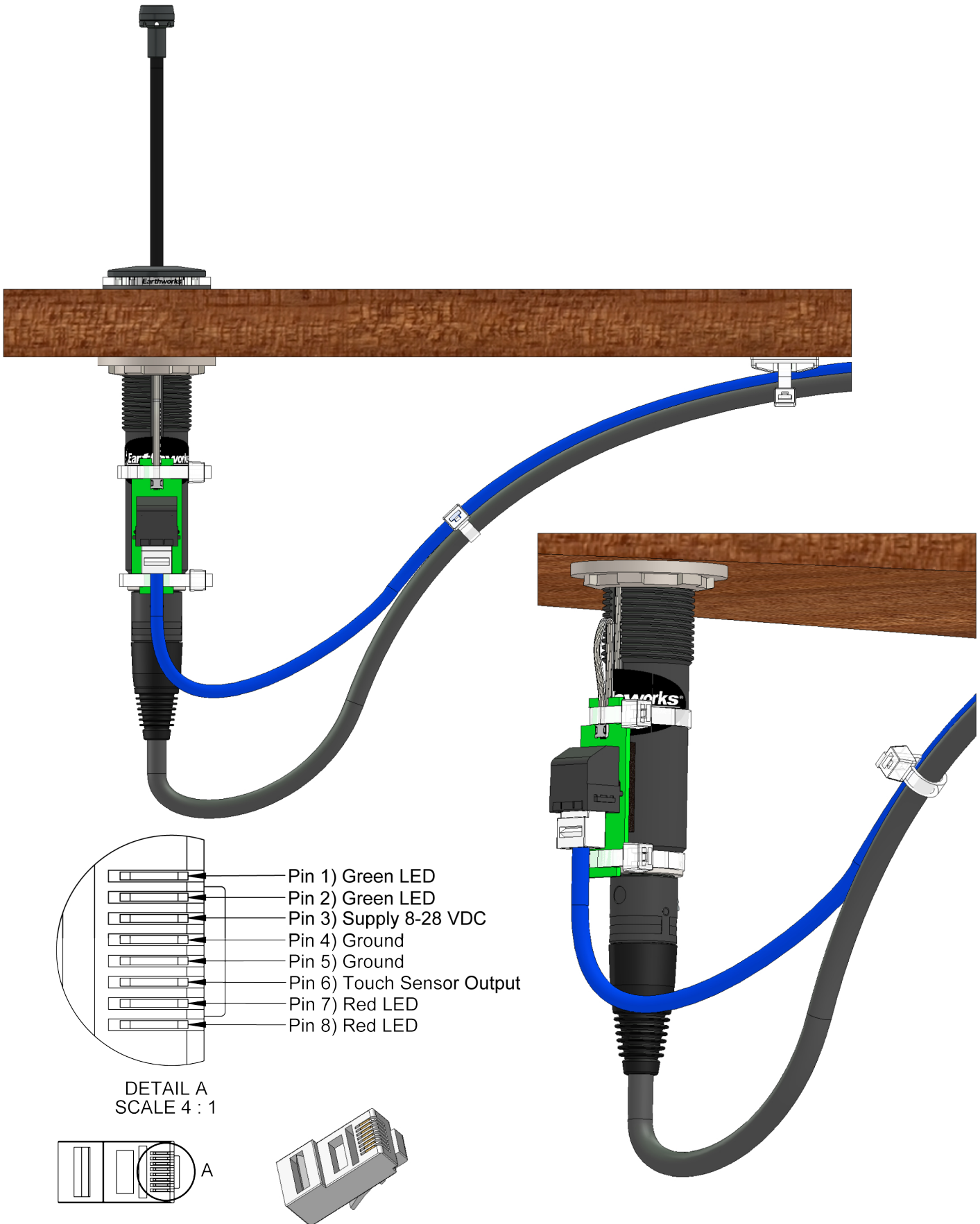
DO NOT OVER TIGHTEN LOCKNUT



Installation Instructions

IML & IMBL Microphones

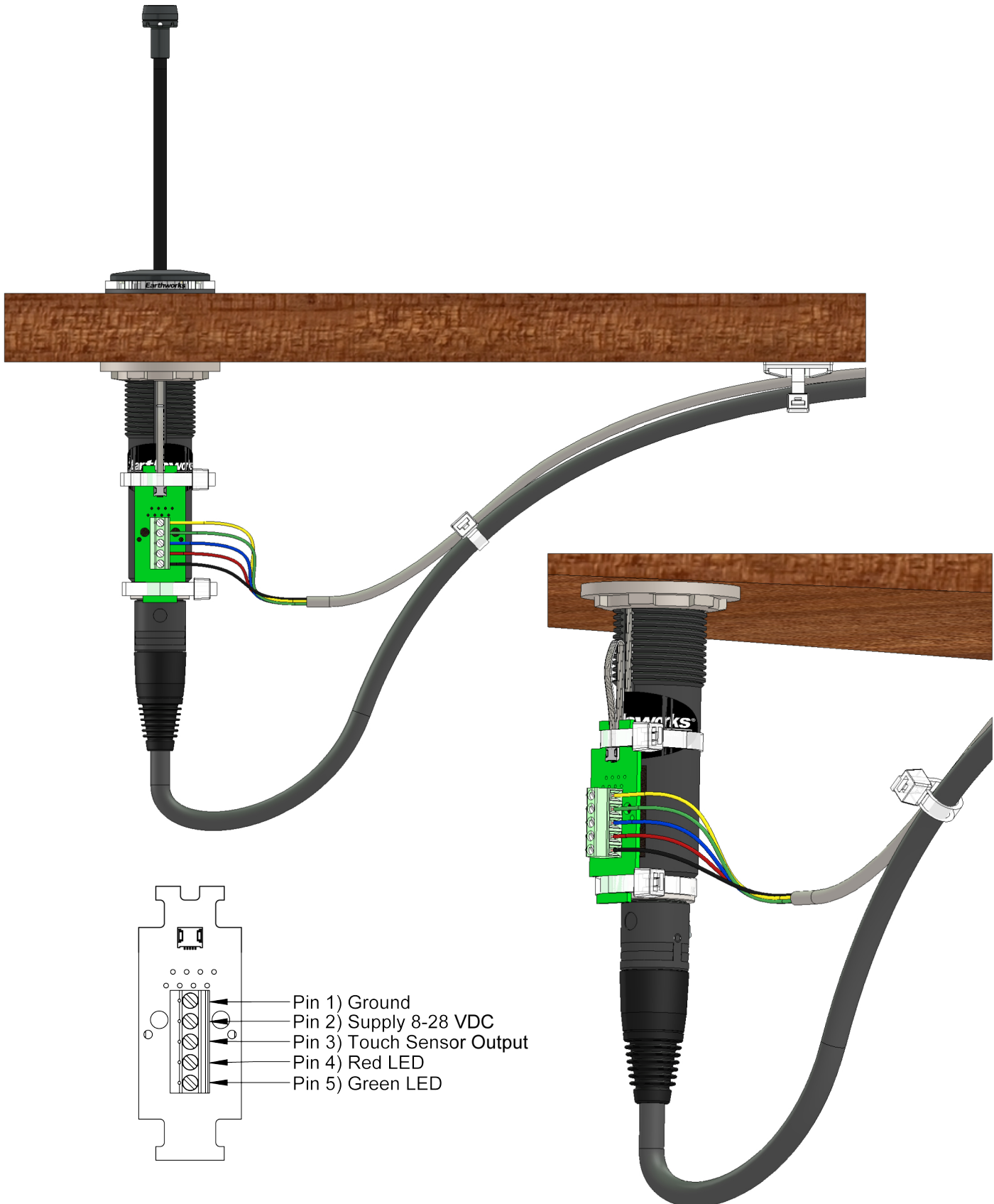
RJ45 Connector Option



Installation Instructions

IML & IMBL Microphones

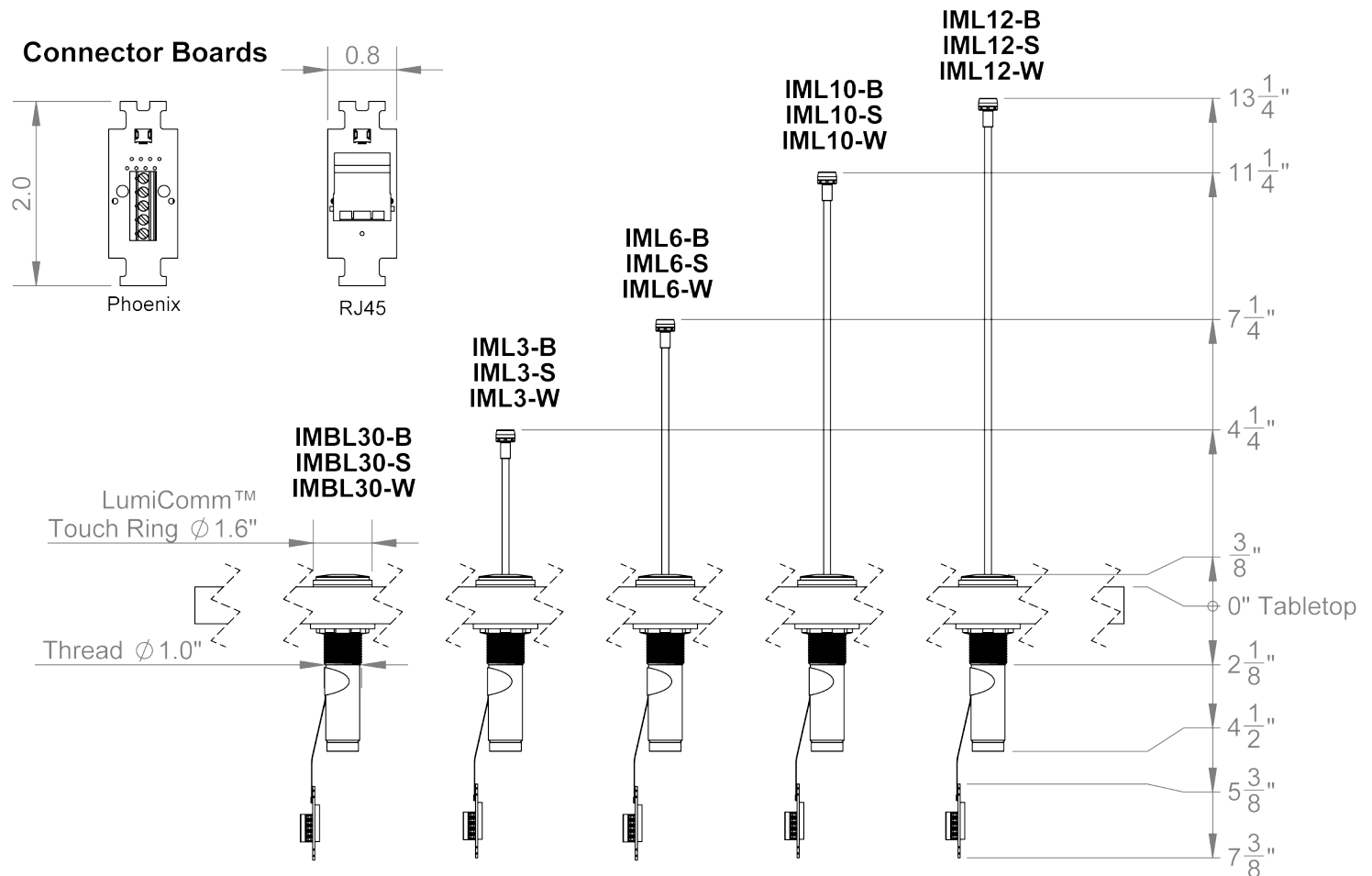
Phoenix Terminal Connector Option



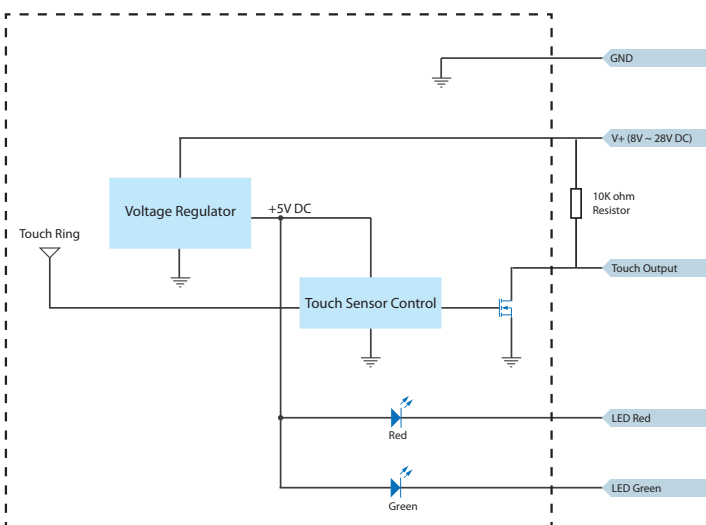
Installation Instructions

IML & IMBL Microphones

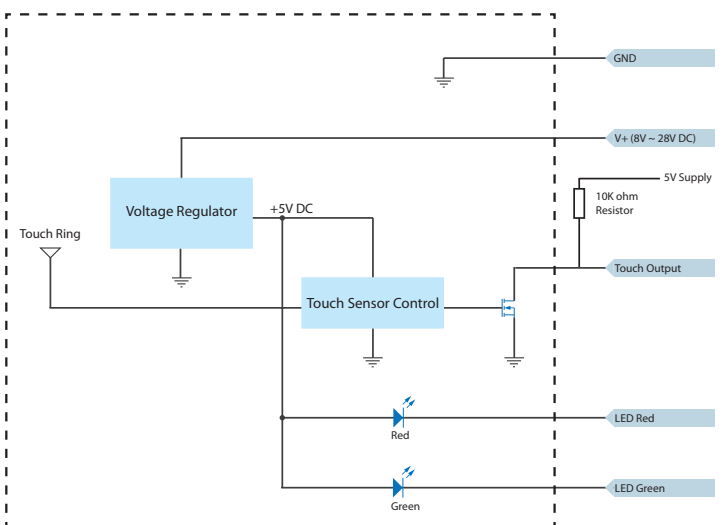
Options & Light Ring Schematic



8V - 28V Logic



5V Logic



Note: Always check your power supply polarity before connecting your supply to the LumiComm™. The 10K resistor is not needed if using a Crestron, Biamp or ClearOne controller, as these controllers are already equipped with pull up resistors. If using a controller that does not have a pull up digital input, then a 10K resistor may be needed externally. The LED pins need to be connected to Digital outputs (contact closure or open collector) that can sink at least 85 mA each.