



Chroma-Q®
BRILLIANT SOLUTIONS

Specification Sheet - Version: 1.3
Chroma-Q® Studio Force D 12 Phosphor™
Extreme Output Daylight White Phosphor LED Fixture
Part No: CHSFDP12

DESCRIPTION

The fixture shall provide a very powerful hot lumens output of up to 8,210 for washing large areas.
The fixture shall be suitable for a wide range of film and studio soft lighting environments including film, TV and broadcast applications.
The fixture shall be IP20 rated.
The fixture shall be suitable for floor, wall or truss mounting.
The fixture shall provide 5,600K CCT daylight white output.
The fixture shall provide a CRI of up to 71*.
The fixture shall provide a smooth, linear dimming curve.
The fixture shall feature a built-in power supply.

FEATURES

- 5,600K CCT variable white
- Extreme output - up to 8,210 lumens
- Extremely smooth, uniform wash
- Theatrical grade dimming
- Specifically developed for use in film, TV and broadcast environments
- 300mm / 1ft length ideal for floor, wall or truss mounting
- Camera friendly
- Extra soft beam
- Controllable green balance
- Controllable frequency
- Laboratory calibrated to match Planckian Locus / Black Body Locus
- Very wide output
- Equal to or better output than fluorescent
- Intuitive new colour touch interface
- Alternative to fluorescent
- PowerCon input and output for easy daisy chaining of fixtures
- Flat end plates for seamless wall-washing
- Standalone mode
- 1 slot for accessories
- Toolless yoke adjustment
- Fanless, studio and full control modes
- Broad range of accessories available including Egg crate and barn doors

ORDERING INFORMATION

CHSFDP12: Chroma-Q Studio Force D 12 Phosphor:

ACCESSORIES

- CHCFSA12: Chroma-Q Spigot Adaptor For Force 12
- CHCFECL12: Chroma-Q Egg Crate Louver For Force 12
- CHCFTH12: Chroma-Q Top Hat For Force 12
- CHCFHTH12: Chroma-Q Half Top Hat For Force 12
- CHCFBD12: Chroma-Q Barn Door For Force 12
- CHCFDBX: Chroma-Q Diffuser Box For Force 12
- CHCFLBA12 Lightbank Adaptor (Speedring) For Force 12
- CHCFLB12 Lightbank For Force 12
- CHCFLBK-K Lightbank Kit+ For Force 12 (consists of Lightbank Adaptor (Speedring) & Lightbank

*Preliminary values.

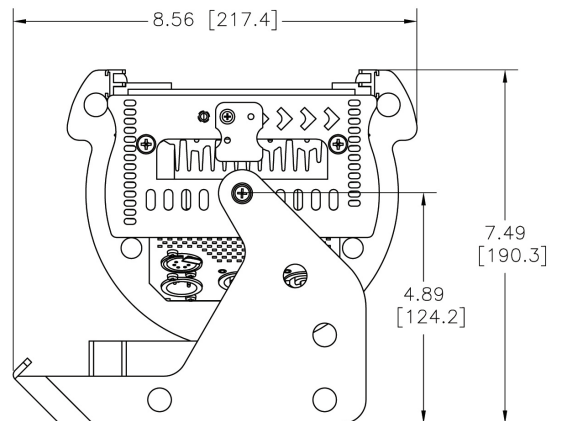
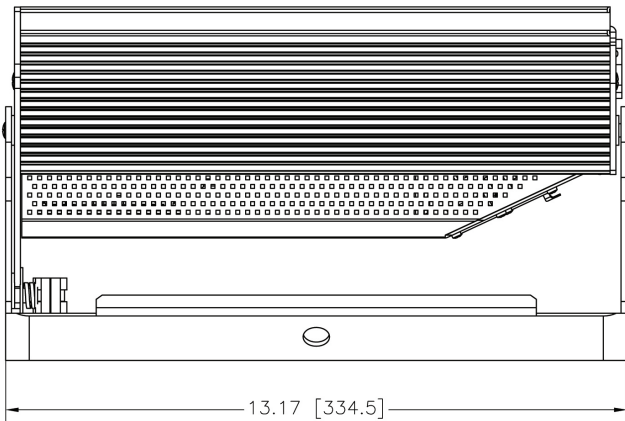
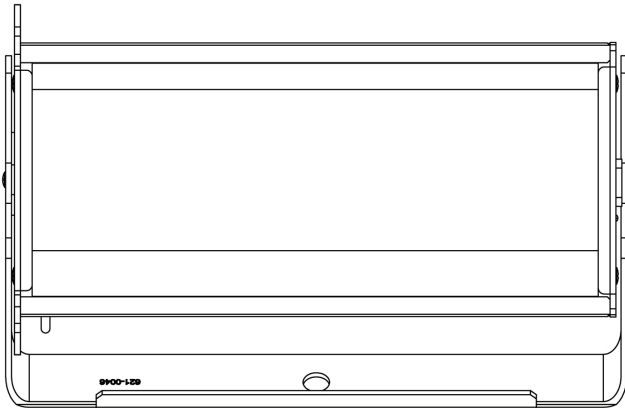
OVERALL SPECIFICATIONS

Net dimensions (without fixings):	Width: 335mm / 13.2"
	Height: 190mm / 7.5"
	Depth: 218mm / 8.6"
Net weight:	4 kgs / 9 lbs
Shipping dimensions:	Width: 432mm / 17"
	Height: 343mm / 13.5"
	Depth: 279mm / 11"
Shipping Weight:	6kgs / 13lbs
Power Supply:	Built-in
Power Input Rating:	100-240V AC, 50-60 Hz, 160VA
Power Factor:	0.998
Power Consumption:	150W
Typical Power & Current:	Measurements done with all LEDs at maximum intensity. Measurements made at nominal voltage. Allow for a deviation of +/- 10%.
Power Connector In/Out:	PowerCon
Data Connectors In/Out:	XLR 5-pin
Control Protocol:	ANSI E1.11 USITT DMX 512-A
Cooling System:	Forced - 1 fan
Operating Temperature:	0°C to 40°C
Construction:	Anodised aluminium extrusion
Colour:	Black
Built-In Hardware:	Quick release lever for tilt adjustment
IP Rating:	IP20
Approvals:	CISPR 22/EN55022 & CISPR 24/EN55024, CES-003 & FCC Part 15 Subpart B, CSA C22. No.166-M1983:R2008 UL 1573:2010; UL 8750:2009
LED Engines:	2
LEDs Per Engine:	24 Blue LEDs
Total LEDs:	48
Control Modes (PSU15):	1 channel Level, 1 channel Look Sel, Manual/Mstr, Slave, Look Store
Dimming Curve:	Theatrical
Hot Lumen Output:	8,210
Optics:	Remote phosphor panel
Beam Angle:	Softlight
Beam Distribution:	Symmetrical direct illumination
CCT:	5,600K (+/- 200K)
Colour Gamut:	Performance enhanced
CRI:	Up to 71*
Lamp Life:	L70 at 50,000 hours



Chroma-Q[®]
BRILLIANT SOLUTIONS

Specification Sheet - Version: 1.3
Chroma-Q[®] Studio Force D 12 Phosphor™
Extreme Output Daylight White Phosphor LED Fixture
Part No: CHSFDP12



Chroma-Q and all associated product names are recognised trademarks, for more information visit www.chroma-q.com/trademarks. The rights and ownership of all trademarks are recognised. The information contained herein is correct at the time of printing, however as we are constantly refining our product range we reserve the right to change the specification without notice. E&OE.