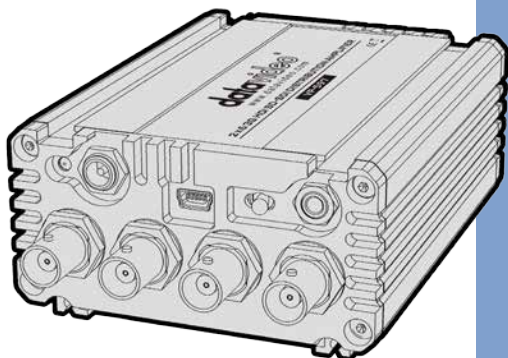


datavideo



**2X6 3G HD/SD-SDI
DISTRIBUTION AMPLIFIER**

VP-597

Quick Start Guide

www.datavideo.com

Warranty

Standard Warranty

- Datavideo equipment is guaranteed against any manufacturing defects for one year from the date of purchase.
- The original purchase invoice or other documentary evidence should be supplied at the time of any request for repair under warranty.
- Damage caused by accident, misuse, unauthorized repairs, sand, grit or water is not covered by this warranty.
- All mail or transportation costs including insurance are at the expense of the owner.
- All other claims of any nature are not covered.
- Cables & batteries are not covered under warranty.
- Warranty only valid within the country or region of purchase.
- Your statutory rights are not affected.

Two Year Warranty

- All Datavideo products purchased after 01-Oct.-2008 qualify for a free one year extension to the standard Warranty, providing the product is registered with Datavideo within 30 days of purchase. For information on how to register please visit www.datavideo-tek.com or contact your local Datavideo office or authorized Distributors
- Certain parts with limited lifetime expectancy such as LCD Panels, DVD Drives, Hard Drives are only covered for the first 10,000 hours, or 1 year (whichever comes first).

Any second year warranty claims must be made to your local Datavideo office or one of its authorized Distributors before the extended warranty expires.

Disposal



For EU Customers only - WEEE Marking

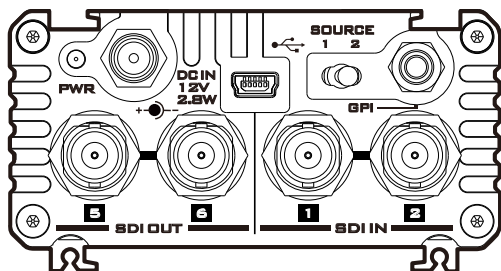
This symbol on the product indicates that it will not be treated as household waste.

It must be handed over to the applicable take back scheme for the recycling of electrical and electronic equipment. For more detailed information about the recycling of this product, please contact your local Datavideo office.

What's in the box?

- 1 x VP-597
- 1 x Accessory List
- 1 x VP-597 Quick Start Guide

Front Panel



DC In Socket

Connects the supplied 12V PSU to this socket. The connection can be secured by screwing the outer fastening ring of the DC In plug to the socket.



Mini USB

USB interface for firmware update; VP-597 center utility control interface



SOURCE Switch

Selects the SDI input source 1 or source 2.



GPI socket

Used for simple external control. The VP-597 can be switched the SDI input source 1 or source 2 by a trigger.



3G HD/SD – SDI Output

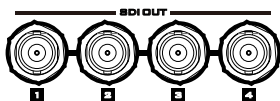
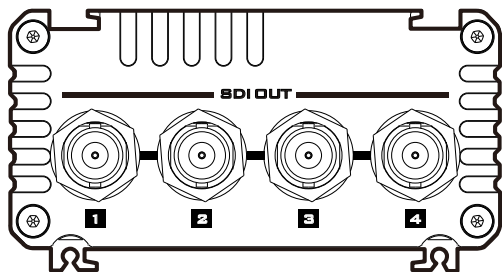
BNC connects for SDI Outputs (5, 6).



3G HD/SD - SDI Input

BNC connects for SDI Inputs.

Rear Panel



3G HD/SD - SDI Output

BNC connectors for SDI Outputs (1~4).

VP-597 Center



Information -
Display the input format & Firmware Version.



Video -
Setting the input source & GPI mode.



Setting -
Click the setting button to reset VP-597 to factory default.

GPI / GPO Connections

The VP-597 can be controlled externally via a simple contact closure GPI (General Purpose Interface) switch. This could be a push button, foot switch or any relay or any circuit that is able to provide a simple contact closure.

The GPI interface is a 3.5mm jack socket. Contact closure between outer and inner contacts on the jack plug will trigger a user selected event. Power is supplied by the VP-597 and is less than 5V DC.

3.5 mm Stereo Jack Plug



Contact closure between inner and outer will send a GPI Trigger

This GPI socket can also be used as a GPO socket to trigger record or playback events with other equipment such as the Datavideo recorder.

Specifications

Input	2 x BNC [SDI source selectable]
Output	6 x BNC [SDI]
BNC Connector	3G 75 Ω inter-locked socket
Support Video Resolution	<ul style="list-style-type: none"> • 3G-SDI: 1080p60/50 1080p59.94 • HD-SDI: 1080i60/50, 1080p30/25/24, 720p60/50 1080i/59.94, 1080p/29.97, 1080p/23.98 720p/59.94 • SD-SDI: 525i, 625i
Audio Support	Support SDI embedded audio Up to 8 channels, 48KHz, PCM audio (If available from SDI source)
Re-clock Function	Yes
Input source select	Source Switch / GPI
Mini USB	F/W Upgrade VP-597 center utility control interface
Dimension & Weight	127.1mm(L) x 85mm(W) x 45.2mm(H) / 456g
Power	12V / 2.8W
Operation Temperature	0~50°C [32~114°F]
Storage Temperature	-10~ +60°C
Certifications	CE/ FCC

Service & Support

It is our goal to make your products ownership a satisfying experience. Our supporting staff is available to assist you in setting up and operating your system. Please refer to our web site www.datavideo.com for answers to common questions, support requests or contact your local office below.

Datavideo Taiwan

Datavideo Technologies Co. Ltd
10F. No. 176, Jian 1st Rd., Chung Ho
District, New Taipei City 235, Taiwan,
R.O.C.

Tel: +886-2-8227-2888

Fax: +886-2-8227-2777

E-mail: service@datavideo.com.tw

Datavideo Europe

Datavideo Technologies Europe BV
Floridadreef 106
3565 AM Utrecht,
The Netherlands

Tel: +31-30-261-96-56

Fax: +31-30-261-96-57

E-mail: info@datavideo.nl

Datavideo United Kingdom

Datavideo UK Limited
Units 1 & 2 Waterside Business Park
Hadfield, Glossop, Derbyshire
SK13 1BE, UK

Tel: +44-1457 851 000

Fax: +44-1457 850 964

E-mail: sales@datavideo.co.uk

Datavideo USA

Datavideo Corporation
7048 Elmer Avenue.
Whittier, CA 90602,
U.S.A.

Tel: +1-562-696 2324

Fax: +1-562-698 6930

E-mail: sales@datavideo.us

Datavideo China

Datavideo Technologies China Co
101, NO. 618, LiuYing Rd, Zhabei District,
Shanghai, China

Tel: +86 21-5603 6599

Fax: +86 21-5603 6770

E-mail: service@datavideo.cn

Datavideo Singapore

Datavideo Technologies (S) PTE Ltd
No. 178 Paya Lebar Road #06-03
Singapore 409030

Tel: +65-6749 6866

Fax: +65-6749 3266

E-mail: sales@datavideo.sg

Datavideo Hong Kong

Datavideo Hong Kong Ltd
G/F., 26 Cross Lane
Wanchai, Hong Kong

Tel: +852-2833-1981

Fax: +852-2833-9916

E-mail: info@datavideo.com.hk

Datavideo France

Datavideo France s.a.r.l
Cit  Descartes 1, rue Albert Einstein
Champs sur Marne

774477-Marne la Vall e cedex 2

Tel: +33-1-60370246

E-mail: info@datavideo.fr

Datavideo India

Datavideo Technologies India Pvt L
A-132, Sec-63, Noida-201307,
Uttar Pradesh (UP), India.

Tel: +91-0120-2427337

Fax: +91-0120-2427338

E-mail: sales@datavideo.in



Please refer to our website for update the latest version manual.

www.datavideo.com/Repeaters+and+Distribution/VP-597

datavideo

www.datavideo.com

All the trademarks are the properties of their respective owners.
Datavideo Technologies Co., Ltd. All rights reserved 2018

Dec-26.2014 P/N: G082060597B4