

DATATRACK™

Switched and dimmed currents... all in one



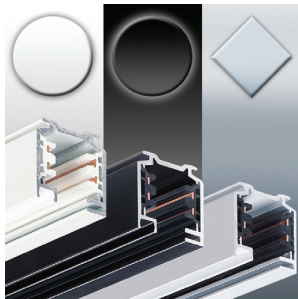
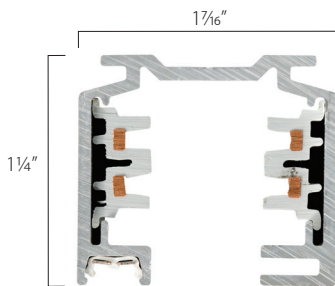
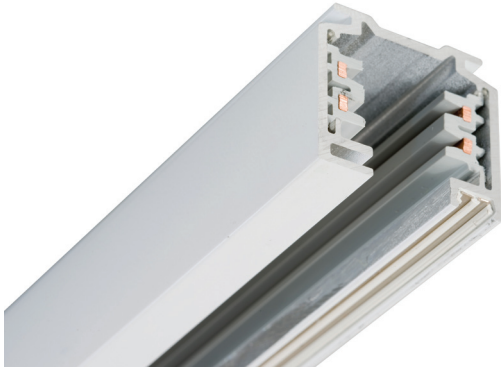
Product Guide



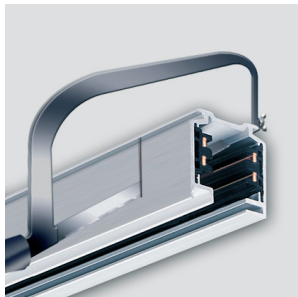
Table of contents

| | |
|-----------------------------------------|-----|
| ETC DataTrack™ | 4 |
| Two-circuit DataTrack accessories | 5-8 |
| DataTrack suspension accessories | 9 |
| Current limiting | 10 |
| Installation guidelines | 11 |

ETC DataTrack™



Multiple colors



Field-adjustable lengths



Easy mounting options

On the right track. ETC's DataTrack combines dimmed and switched currents into a single, sleek profile perfect for hybrid-lighting installations that combine both conventional and LED fixtures. It features two separate neutrals that can both be dimmed circuits, two hot circuits or one of each, and has built-in wiring for DMX/RDM.

The sturdy DataTrack can hold up to 22 pounds of weight per foot when fully supported, and is available with three-, five-, eight- and 12-amp current-limiting breakers located directly at the track. It comes in four-, eight- and 12-foot sections, and can also be cut to any custom length in the field.

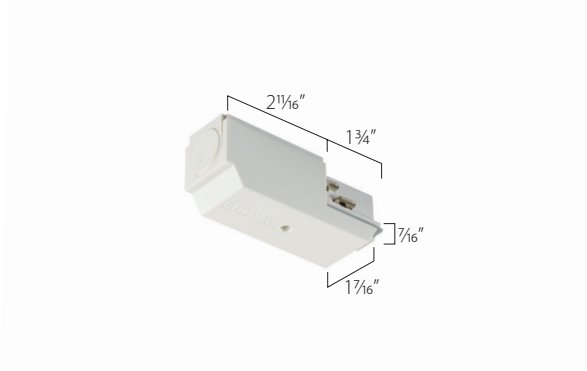
ETC's low-profile DataTrack easily blends into its surroundings, providing power and data reliably and discretely. It's the convenient solution for a variety of permanent applications, including art galleries, museums, retail displays, lobbies, comedy clubs, nightclubs and venues with low ceilings.

With an array of adapters, feeds, end caps, couplers, hanging apparatuses and power/data-feed apparatuses, there's a DataTrack option for any architectural-lighting project.

| Length | Color | Model Number | Part Number |
|--------|--------|--------------|-------------|
| 4ft | Black | EDTR04 | 7066A1001 |
| | White | EDTR04-1 | 7066A1001-1 |
| | Silver | EDTR04-5 | 7066A1001-5 |
| 8ft | Black | EDTR08 | 7066A1002 |
| | White | EDTR08-1 | 7066A1002-1 |
| | Silver | EDTR04-5 | 7066A1002-5 |
| 12ft | Black | EDTR12 | 7066A1003 |
| | White | EDTR12-1 | 7066A1003-1 |
| | Silver | EDTR12-5 | 7066A1003-5 |

Two-circuit DataTrack™ accessories

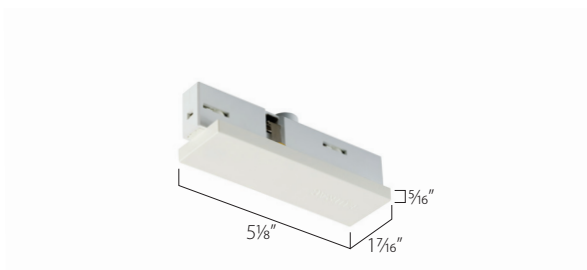
Live-end feed



- Gold-plated data-bus contacts
- Nickel-plated line voltage springs
- Ground right and ground left

| Ground | Color | Model Number | Part Number |
|--------|--------|--------------|-------------|
| Right | Black | EDTREF-GR | 7066A1010 |
| | White | EDTREF-GR-1 | 7066A1010-1 |
| | Silver | EDTREF-GR-5 | 7066A1010-5 |
| Left | Black | EDTREF-GL | 7066A1011 |
| | White | EDTREF-GL-1 | 7066A1011-1 |
| | Silver | EDTREF-GL-5 | 7066A1011-5 |

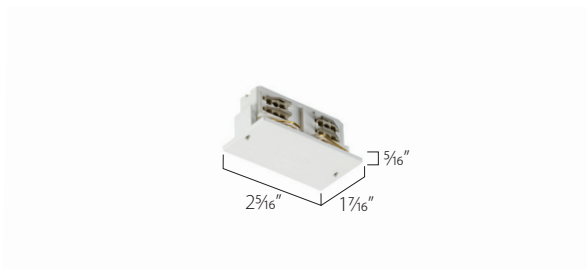
Mid feed



- Can be positioned anywhere along the DataTrack
- Gold-plated data-bus contacts
- Nickel-plated line-voltage springs

| Color | Model Number | Part Number |
|--------|--------------|-------------|
| Black | EDTRMF | 7066A1012 |
| White | EDTRMF-1 | 7066A1012-1 |
| Silver | EDTRMF-5 | 7066A1012-5 |

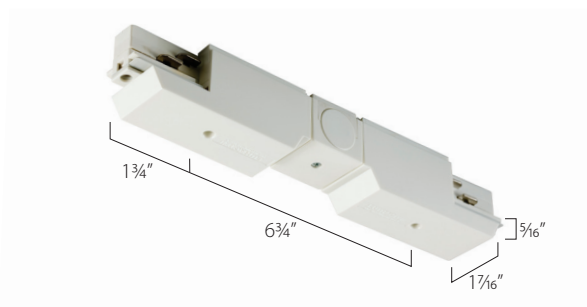
Electrical straight coupler



- For track splicing
- Gold-plated data-bus contacts
- Nickel-plated line-voltage springs
- Includes Four-inch pendant clip to stabilize joint

| Color | Model Number | Part Number |
|--------|--------------|-------------|
| Black | EDTRSC | 7066A1013 |
| White | EDTRSC-1 | 7066A1013-1 |
| Silver | EDTRSC-5 | 7066A1013-5 |

I-coupler

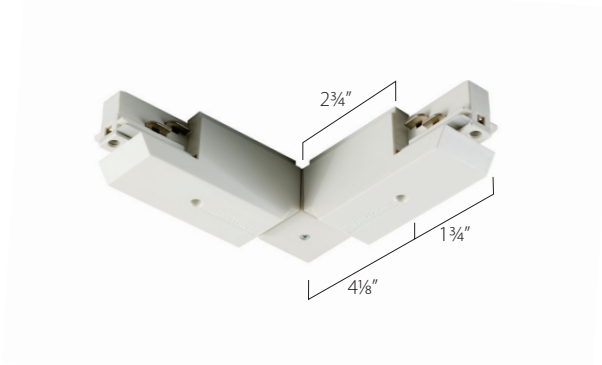


- Gold-plated data-bus contacts
- Nickel-plated line-voltage springs

| Color | Model Number | Part Number |
|--------|--------------|-------------|
| Black | EDTRIC | 7066A1014 |
| White | EDTRIC-1 | 7066A1014-1 |
| Silver | EDTRIC-5 | 7066A1014-5 |

Two-circuit DataTrack™ accessories

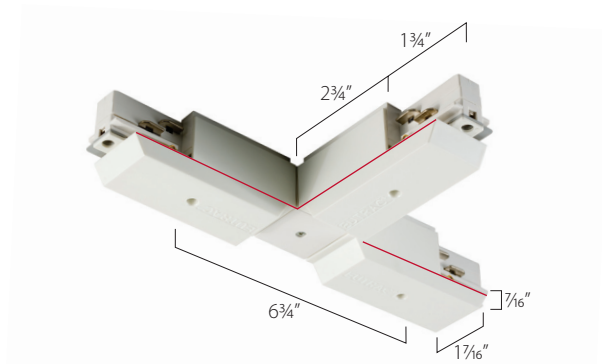
L-coupler



- Gold-plated data-bus contacts
- Nickel-plated line-voltage springs
- Ground inside and ground outside

| Ground | Color | Model Number | Part Number |
|---------|--------|--------------|-------------|
| Inside | Black | EDTRLC-GI | 7066A1016 |
| | White | EDTRLC-GI-1 | 7066A1016-1 |
| | Silver | EDTRLC-GI-5 | 7066A1016-5 |
| Outside | Black | EDTRLC-GO | 7066A1017 |
| | White | EDTRLC-GO-1 | 7066A1017-1 |
| | Silver | EDTRLC-GO-5 | 7066A1017-5 |

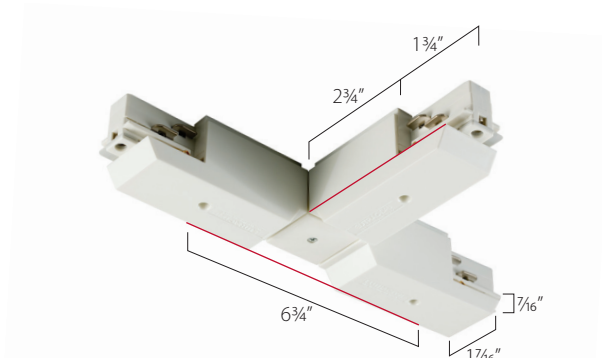
T-coupler: Ground inside



- Gold-plated data-bus contacts
- Nickel-plated line-voltage springs
- Ground right and ground left

| Ground | Color | Model Number | Part Number |
|--------|--------|--------------|-------------|
| Right | Black | EDTRTC-GIR | 7066A1018 |
| | White | EDTRTC-GIR-1 | 7066A1018-1 |
| | Silver | EDTRTC-GIR-5 | 7066A1018-5 |
| Left | Black | EDTRTC-GIL | 7066A1019 |
| | White | EDTRTC-GIL-1 | 7066A1019-1 |
| | Silver | EDTRTC-GIL-5 | 7066A1019-5 |

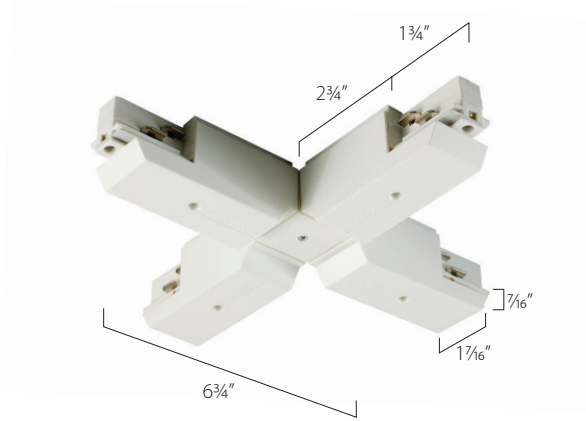
T-coupler: Ground outside



- Gold-plated data-bus contacts
- Nickel-plated line-voltage springs
- Ground right and ground left

| Ground | Color | Model Number | Part Number |
|--------|--------|--------------|-------------|
| Right | Black | EDTRTC-GOR | 7066A1020 |
| | White | EDTRTC-GOR-1 | 7066A1020-1 |
| | Silver | EDTRTC-GOR-5 | 7066A1020-5 |
| Left | Black | EDTRTC-GOL | 7066A1021 |
| | White | EDTRTC-GOL-1 | 7066A1021-1 |
| | Silver | EDTRTC-GOL-5 | 7066A1021-5 |

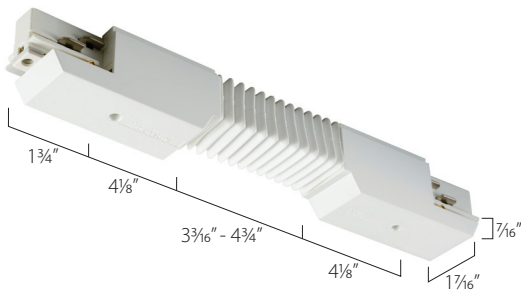
X-coupler



- Gold-plated data-bus contacts
- Nickel-plated line-voltage springs

| Color | Model Number | Part Number |
|--------|--------------|-------------|
| Black | EDTRXC | 7066A1022 |
| White | EDTRXC-1 | 7066A1022-1 |
| Silver | EDTRXC-5 | 7066A1022-5 |

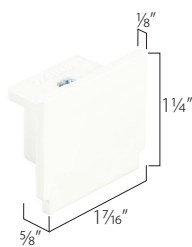
Flex-coupler



- Gold-plated data-bus contacts
- Nickel-plated line-voltage springs

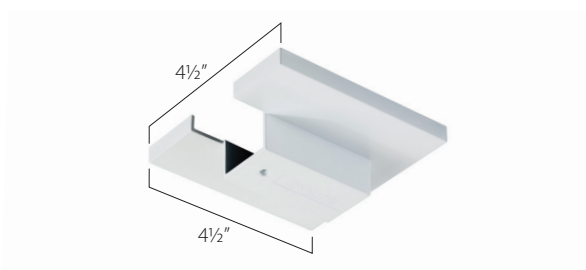
| Color | Model Number | Part Number |
|--------|--------------|-------------|
| Black | EDTRFC | 7066A1015 |
| White | EDTRFC-1 | 7066A1015-1 |
| Silver | EDTRFC-5 | 7066A1015-5 |

End cap



| Color | Model Number | Part Number |
|--------|--------------|-------------|
| Black | EDTREC | 7066A1023 |
| White | EDTREC-1 | 7066A1023-1 |
| Silver | EDTREC-5 | 7066A1023-5 |

End-feed canopy cover

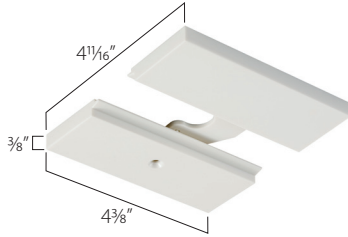


- Can be used with all marked components

| Color | Model Number | Part Number |
|--------|--------------|-------------|
| Black | EDTRCC | 7066A1024 |
| White | EDTRCC-1 | 7066A1024-1 |
| Silver | EDTRCC-5 | 7066A1024-5 |

Two-circuit DataTrack™ accessories

Mid-feed canopy cover



| Color | Model Number | Part Number |
|--------|--------------|-------------|
| Black | EDTRMCC | 7066A1026 |
| White | EDTRMCC-1 | 7066A1026-1 |
| Silver | EDTRMCC-5 | 7066A1026-5 |

T-bar mounting clip



- For use with 15/16" T-grid system
- Support independent of ceiling
- Includes nut to secure to clip

| Color | Model Number | Part Number |
|-------|--------------|-------------|
| White | EDTRTB | 7066A1027 |

Universal adapter



- Secures heavy bracket-mounted fixtures and other fittings to track
- Mechanical rotation stop with spring prevents fixtures from falling when adapter is unfastened
- Maximum load: 22lbs

| Color | Model Number | Part Number |
|-------|--------------|-------------|
| Black | EDTRUA | 7066A1025 |
| White | EDTRUA-1 | 7066A1025-1 |

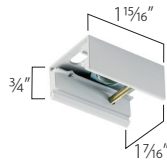
DMX terminator



- Terminates data run
- One terminator required per data feed

| Color | Model Number | Part Number |
|--------|--------------|-------------|
| Black | EDTRDMXT | 7066A1030 |
| White | EDTRDMXT-1 | 7066A1030-1 |
| Silver | EDTRDMXT-5 | 7066A1030-5 |

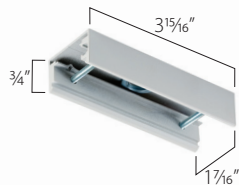
Two-inch pendant clip



- For pendant-mounting with aircraft cables or stems with 3/8" diameter

| Color | Model Number | Part Number |
|--------|--------------|-------------|
| Black | EDTR2PC | 7066A1040 |
| White | EDTR2PC-1 | 7066A1040-1 |
| Silver | EDTR2PC-5 | 7066A1040-5 |

Four-inch pendant clip



- For joints of pendant-mounted tracks
- Suspended with aircraft cables or stems with 3/8" diameter

| Color | Model Number | Part Number |
|--------|--------------|-------------|
| Black | EDTR4PC | 7066A1041 |
| White | EDTR4PC-1 | 7066A1041-1 |
| Silver | EDTR4PC-5 | 7066A1041-5 |

Five-inch support/feed canopy kit



- Pendant-cable kit includes:
 - Aircraft cable
 - Canopy
 - Cable gripper
 - Coupler

| Color | Model Number | Part Number |
|-------|--------------|-------------|
| White | EDTR5SF-1 | 7066A1042-1 |

Five-inch support canopy kit

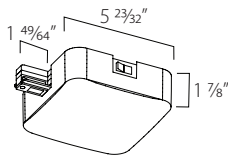


- Pendant-cable kit includes:
 - Aircraft cable
 - Canopy
 - Cable gripper
 - Coupler

| Color | Model Number | Part Number |
|-------|--------------|-------------|
| White | EDTRM5SC-1 | 7066A1043-1 |

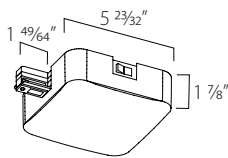
Current limiting

End-feed: Ground left or right



| Ground | Color | Model Number | Part Number |
|--------|--------|---------------|-------------|
| Right | Black | EDTREFCL-GR | 7066A1080 |
| | White | EDTREFCL-GR-1 | 7066A1080-1 |
| | Silver | EDTREFCL-GR-5 | 7066A1080-5 |
| Left | Black | EDTREFCL-GL | 7066A1081 |
| | White | EDTREFCL-GL-1 | 7066A1081-1 |
| | Silver | EDTREFCL-GL-5 | 7066A1081-5 |

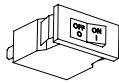
I-coupler



| Color | Model Number | Part Number |
|--------|--------------|-------------|
| Black | EDTRICCL | 7066A1082 |
| White | EDTRICCL-1 | 7066A1082-1 |
| Silver | EDTRICCL-5 | 7066A1082-5 |

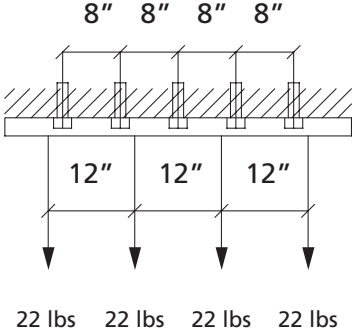
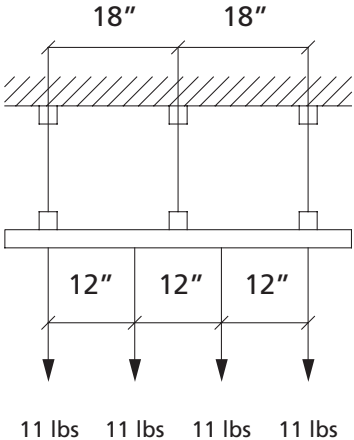
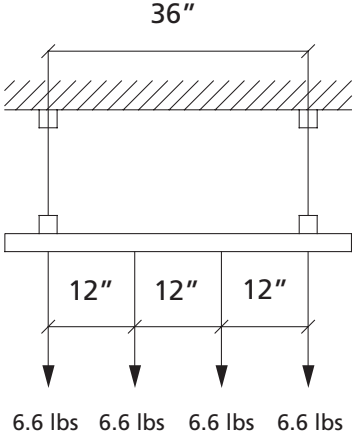
Circuit breaker

- Single-pole
- Three-, five-, eight- and 12 amps

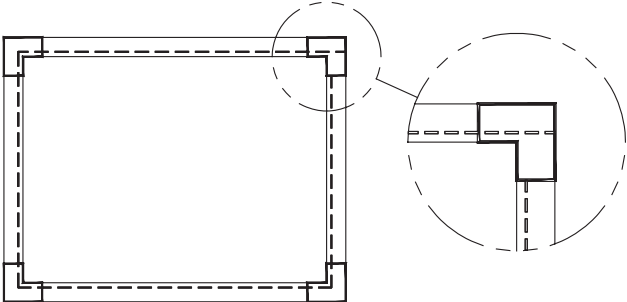


| Amp | Color | Model Number | Part Number |
|-----|-------|--------------|-------------|
| 3A | Black | EDTRCL-3A | 7066A1083 |
| | White | EDTRCL-3A-1 | 7066A1083-1 |
| 5A | Black | EDTRCL-5A | 7066A1084 |
| | White | EDTRCL-5A-1 | 7066A1084-1 |
| 8A | Black | EDTRCL-8A | 7066A1085 |
| | White | EDTRCL-8A-1 | 7066A1085-1 |
| 12A | Black | EDTRCL-12A | 7066A1086 |
| | White | EDTRCL-12A-1 | 7066A1086-1 |

Load capacity



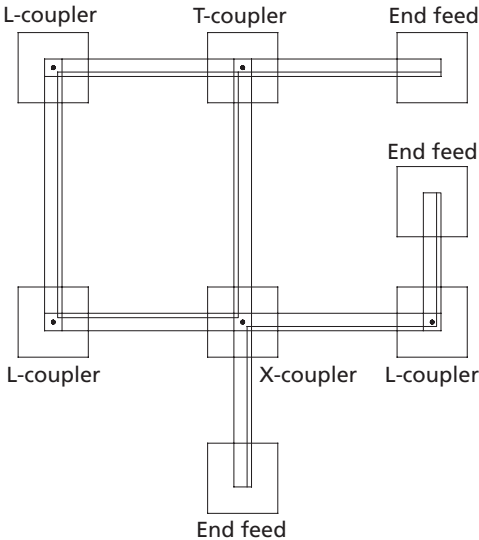
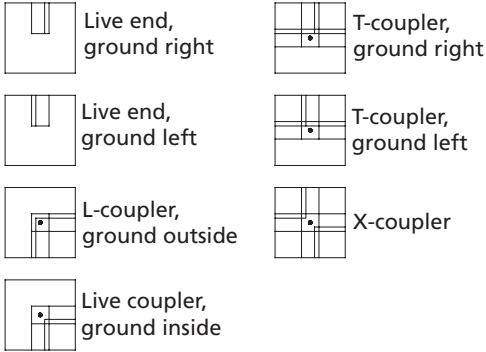
Data



When mounting your DataTrack with data bus, please observe that no loops within the data line are created. Failure to do so may result in unreliable data transmission.

If DataTrack L- or T-couplers are required in your system, the data-line connection in the respective coupler may be disconnected to avoid loops.

Ground path planning





Corporate Headquarters ■ 3031 Pleasant View Rd, PO Box 620979, Middleton WI 53562 0979 USA ■ Tel +1 608 831 4116

London, UK ■ Unit 26-28, Victoria Industrial Estate, Victoria Road, London W3 6UU, UK ■ Tel +44 (0) 20 8896 1000

Rome, IT ■ Via Pieve Torina, 48, 00156 Rome, Italy ■ Tel +39 (06) 32 111 683

Holzkirchen, DE ■ Ohmstrasse 3, 83607 Holzkirchen, Germany ■ Tel +49 (80 24) 47 00-0

Hong Kong ■ Room 1801, 18/F, Tower 1 Phase 1, Enterprise Square, 9 Sheung Yuet Road, Kowloon Bay, Kowloon, Hong Kong ■ Tel +852 2799 1220

Web ■ www.etconnect.com ■ Copyright©2014 ETC. All Rights Reserved. All product information and specifications subject to change. 7066L1002 Rev. B 01/14