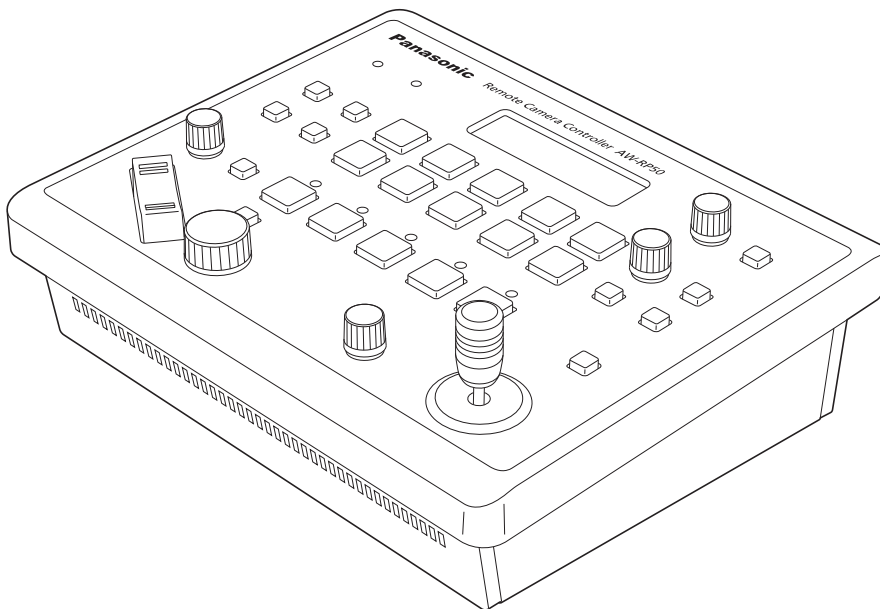


Panasonic®

Operating Instructions <Basics>

Remote Camera Controller


Model No. **AW-RP50N**



Before operating this product, please read the instructions carefully and save this manual for future use.

For instructions on how to operate this Remote Camera Controller and how to establish its settings, refer to the “Operations and Settings” manual (PDF file) which can be found on the CD-ROM supplied with the camera.

Safety precautions

	CAUTION RISK OF ELECTRIC SHOCK DO NOT OPEN	
<p>CAUTION: TO REDUCE THE RISK OF ELECTRIC SHOCK, DO NOT REMOVE COVER (OR BACK). NO USER SERVICEABLE PARTS INSIDE. REFER TO SERVICING TO QUALIFIED SERVICE PERSONNEL.</p>		



The lightning flash with arrowhead symbol, within an equilateral triangle, is intended to alert the user to the presence of uninsulated “dangerous voltage” within the product’s enclosure that may be of sufficient magnitude to constitute a risk of electric shock to persons.



The exclamation point within an equilateral triangle is intended to alert the user to the presence of important operating and maintenance (service) instructions in the literature accompanying the appliance.

WARNING:

■ THIS APPARATUS MUST BE EARTHED

To ensure safe operation, the three-pin plug must be inserted only into a standard three-pin power point which is effectively earthed through the normal household wiring.

Extension cords used with the apparatus must have three cores and be correctly wired to provide connection to the earth. Wrongly wired extension cords are a major cause of fatalities.

The fact that the apparatus operates satisfactorily does not imply that the power point is earthed or that the installation is completely safe. For your safety, if you are in any doubt about the effective earthing of the power point, please consult a qualified electrician.

—For CANADA—

This class A digital apparatus complies with Canadian ICES-003.

Cet appareil numérique de la classe A est conforme à la norme NMB-003 du Canada.

WARNING:

- TO REDUCE THE RISK OF FIRE OR ELECTRIC SHOCK, DO NOT EXPOSE THIS APPARATUS TO RAIN OR MOISTURE.
- THE APPARATUS SHALL NOT BE EXPOSED TO DRIPPING OR SPLASHING AND THAT NO OBJECTS FILLED WITH LIQUIDS, SUCH AS VASES, SHALL BE PLACED ON THE APPARATUS.

CAUTION:

TO REDUCE THE RISK OF FIRE OR SHOCK HAZARD AND ANNOYING INTERFERENCE, USE THE RECOMMENDED ACCESSORIES ONLY.

FCC Note:

This equipment has been tested and found to comply with the limits for a class A digital device, pursuant to Part 15 of the FCC Rules. These limits are designed to provide reasonable protection against harmful interference when the equipment is operated in a commercial environment. This equipment generates, uses, and can radiate radio frequency energy, and if not installed and used in accordance with the instruction manual, may cause harmful interference to radio communications. Operation of this equipment in a residential area is likely to cause harmful interference in which case the user will be required to correct the interference at his own expense.

Warning:

To assure continued FCC emission limit compliance, the user must use only shielded interface cables when connecting to external units. Also, any unauthorized changes or modifications to this equipment could void the user’s authority to operate it.

CAUTION:

In order to maintain adequate ventilation, do not install or place this unit in a bookcase, built-in cabinet or any other confined space. To prevent risk of electric shock or fire hazard due to overheating, ensure that curtains and any other materials do not obstruct the ventilation.


The socket outlet shall be installed near the equipment and easily accessible or the mains plug or an appliance coupler shall remain readily operable.

A warning that an apparatus with CLASS 1 construction shall be connected to a MAINS socket outlet with a protective earthing connection.

Safety precautions

IMPORTANT SAFETY INSTRUCTIONS

Read these operating instructions carefully before using the unit. Follow the safety instructions on the unit and the applicable safety instructions listed below. Keep these operating instructions handy for future reference.

- 1) Read these instructions.
- 2) Keep these instructions.
- 3) Heed all warnings.
- 4) Follow all instructions.
- 5) Do not use this apparatus near water.
- 6) Clean only with dry cloth.
- 7) Do not block any ventilation openings. Install in accordance with the manufacturer's instructions.
- 8) Do not install near any heat sources such as radiators, heat registers, stoves, or other apparatus (including amplifiers) that produce heat.
- 9) Do not defeat the safety purpose of the polarized or grounding-type plug. A polarized plug has two blades with one wider than the other. A grounding-type plug has two blades and a third grounding prong. The wide blade or the third prong are provided for your safety. If the provided plug does not fit into your outlet, consult an electrician for replacement of the obsolete outlet.
- 10) Protect the power cord from being walked on or pinched particularly at plugs, convenience receptacles, and the point where they exit from the apparatus.
- 11) Only use attachments/accessories specified by the manufacturer.
- 12) Use only with the cart, stand, tripod, bracket, or table specified by the manufacturer, or sold with the apparatus. When a cart is used, use caution when moving the cart/apparatus combination to avoid injury from tip-over. 
- 13) Unplug this apparatus during lightning storms or when unused for long periods of time.
- 14) Refer all servicing to qualified service personnel. Servicing is required when the apparatus has been damaged in any way, such as power-supply cord or plug is damaged, liquid has been spilled or objects have fallen into the apparatus, the apparatus has been exposed to rain or moisture, does not operate normally, or has been dropped.

 indicates safety information.

Contents

Before use	5	Basic operations of the unit	16
Overview	5	Basic operations for the menus	17
Trademarks and registered trademarks	5	Network settings	18
About copyright and licence	5	Setting the unit	18
Concerning the ratings display	5	Connections	21
Disclaimer of warranty	5	Example of IP connections	21
Network security	5	Example of serial connections	22
Characteristics	6	Settings for connection with the remote cameras	25
Pan-tilt heads and cameras supported	7	Setting the IP addresses automatically (auto IP setting)	26
Accessories	7	Changing the IP addresses of the camera numbers controlled by the unit	33
Required personal computer environment	8	Changing the camera numbers	34
Installation precautions	9	Changing the IP address of the switcher	34
Operating precautions	11	Clearing the IP address control tables	34
Parts and their functions	12	Selecting the remote cameras to be operated	35
Control panel	12	Appearance	37
Rear panel	15	Specifications	38

How the model's Operating Instructions manuals are configured

- The manual of this Remote Camera Controller (hereafter, "the unit") is divided into two manuals: one is the <Basics> (this manual), and the other is the <Operations and Settings> (CD-ROM). Before installing the unit, be sure to read the <Basics> to ensure that the unit is installed correctly.
- This manual explains how to install the unit, and it details the network connection and setting procedures.
For details on how to operate the unit and select its settings, refer to the "Operating Instructions <Operations and Settings>" (PDF file) on the CD-ROM supplied with the unit.
To read PDF files, you will need Adobe® Reader® which is available from Adobe Systems.
- For the purposes of this manual, the model numbers of the units are given as listed in the table below.

Model number of unit	Model number given in manual	Model number of unit	Model number given in manual
AW-HS50N	AW-HS50	AW-E860N	AW-E860
AW-HE50HN	AW-HE50	AW-PH360N	AW-PH360
AW-HE50SN	AW-HE50	AW-PH400P	AW-PH400
AW-HE100N	AW-HE100	AW-PH405N	AW-PH405
AW-HE870N	AW-HE870	AW-PH650N	AW-PH650
AW-E350P	AW-E350	AW-IF400G	AW-IF400
AW-E650P	AW-E650	AK-HC1500G	AK-HC1500
AW-E750P	AW-E750	AK-HC1800G	AK-HC1800

- In these instructions, the phrases "pan-tilt head and camera combination" and "camera integrated with a pan-tilt head" are both referred to collectively as "**remote camera**" except in places where specific equipment is mentioned.

Before use

■ Overview

This unit is a controller which is designed to control remote cameras (cameras integrated with pan-tilt heads) and pan-tilt head systems (which consist of pan-tilt heads and the cameras which are mounted on them).

By means of an IP connection, an operating environment where the unit is tied in with the AW-HE50 HD integrated camera and AW-HS50 compact live switcher is achieved.

When IP connections are used, the unit can be used to control up to 100 remote cameras.

When serial connections are used, up to five remote cameras and pan-tilt head systems can be controlled.

■ Trademarks and registered trademarks

- Microsoft, Windows, Windows Vista, Windows 7 and Internet Explorer are either registered trademarks or trademarks of Microsoft Corporation in the United States and other countries.
- Intel and Intel Core are trademarks or registered trademarks of Intel Corporation in the United States and other countries.
- Adobe and Reader are either registered trademarks or trademarks of Adobe Systems Incorporated in the United States and/or other countries.
- Other names of companies and products contained in these Operating Instructions may be trademarks or registered trademarks of their respective owners.

■ About copyright and licence

Distributing, copying, disassembling, reverse compiling, reverse engineering, and also exporting in violation of export laws of the software provided with this unit are expressly prohibited.

■ Concerning the ratings display

The unit's name, model number and electrical ratings are indicated on its bottom panel.

■ Disclaimer of warranty

IN NO EVENT SHALL Panasonic System Networks Co., Ltd. BE LIABLE TO ANY PARTY OR ANY PERSON, EXCEPT FOR REPLACEMENT OR REASONABLE MAINTENANCE OF THE PRODUCT, FOR THE CASES, INCLUDING BUT NOT LIMITED TO BELOW:

- ① ANY DAMAGE AND LOSS, INCLUDING WITHOUT LIMITATION, DIRECT OR INDIRECT, SPECIAL, CONSEQUENTIAL OR EXEMPLARY, ARISING OUT OF OR RELATING TO THE PRODUCT;
- ② PERSONAL INJURY OR ANY DAMAGE CAUSED BY INAPPROPRIATE USE OR NEGLIGENT OPERATION OF THE USER;
- ③ UNAUTHORIZED DISASSEMBLE, REPAIR OR MODIFICATION OF THE PRODUCT BY THE USER;
- ④ INCONVENIENCE OR ANY LOSS ARISING WHEN IMAGES ARE NOT DISPLAYED, DUE TO ANY REASON OR CAUSE INCLUDING ANY FAILURE OR PROBLEM OF THE PRODUCT;
- ⑤ ANY PROBLEM, CONSEQUENTIAL INCONVENIENCE, OR LOSS OR DAMAGE, ARISING OUT OF THE SYSTEM COMBINED BY THE DEVICES OF THIRD PARTY;
- ⑥ ANY INCONVENIENCE, DAMAGES OR LOSSES RESULTING FROM ACCIDENTS CAUSED BY AN INADEQUATE INSTALLATION METHOD OR ANY FACTORS OTHER THAN A DEFECT IN THE PRODUCT ITSELF;
- ⑦ LOSS OF REGISTERED DATA CAUSED BY ANY FAILURE;
- ⑧ ANY DAMAGES, CLAIMS, ETC. DUE TO LOSS OR LEAKAGE OF THE SETTING DATA SAVED ON THIS UNIT OR IN A PERSONAL COMPUTER.

■ Network security

As you will use this unit connected to a network, your attention is called to the following security risks.

- ① Leakage or theft of information through this unit
- ② Use of this unit for illegal operations by persons with malicious intent
- ③ Interference with or stoppage of this unit by persons with malicious intent

It is your responsibility to take precautions such as those described below to protect yourself against the above network security risks.

- Use this unit in a network secured by a firewall, etc.
- If this unit is connected to a network that includes PCs, make sure that the system is not infected by computer viruses or other malicious entities (using a regularly updated antivirus program, anti-spyware program, etc.).
- Refrain from connections that use public lines.

Characteristics

Compact design

- The unit features a compact design with its half-rack size width (210 mm [8-1/4"]) and its 4RU size (177 mm [6-15/16"]) depth. The unit is the same size as the AW-HS50 compact live switcher (option), and when the switcher is placed alongside the unit, the two units are housed in the full rack width.

IP connection and serial connection supported

IP connection

- Up to 100 remote cameras(*1) can be controlled through a network hub (switching hub).
- Using the unit's automatic IP setting function, the IP addresses of the remote cameras(*1) and switcher(*2) can be assigned and controlled automatically.

*1: Camera supported: AW-HE50
*2: Switcher supported: AW-HS50

- Up to five units can be connected to the same network to control the remote cameras simultaneously.
- Using the Setup Software provided by the camera controller, it is possible to set the IP addresses of the remote cameras and switchers from a PC via the camera controller.

Serial connection

- Up to five remote cameras or pan-tilt head systems can be controlled.

Easy to operate the cameras

- The pan, tilt, zoom, focus and iris operations of the cameras can be easily performed from the unit.
- The gain, shutter, detail, white balance and black balance adjustments can be performed on the unit's LCD menu. (The adjustment items and range differ depending on the cameras connected.)

Easy to operate the preset memory data of the pan-tilt heads

- Up to 100 sets of preset memory data of the pan-tilt heads can be registered and then recalled later.

Function for linkup with the switcher using IP connection

- By linking the unit with one AW-HS50 compact live switcher using an IP connection to make the connection between them, a highly efficient operating environment is achieved.

Camera information display

- The camera setting information (such as the lens iris and gain setting) imported by the unit can be shown on the AUX image output from the switcher or on the split-screen display multi view display.

Tally information imported

- The switcher's ON AIR tally information is imported, and the tally indicators (above the CAMERA STATUS/SELECTION buttons) on the panel are lighted.

Bus material selection

- The switcher's bus materials can be selected from the unit. By pressing the CAMERA STATUS/SELECTION button, these materials can be switched.

Control buses supported: AUX, PVW, PinP, KEY-F

Using a single-step action to operate one of these buttons, the switcher's multi view screen can be switched to a full-screen display on which to show the camera images. (Focus assist function)

Control buses supported: AUX

Parameter changes

- Using the unit's PAN/TILT lever or ZOOM button, the PinP position and other parameters of the switcher can be changed.

Pan-tilt heads and cameras supported

■ Remote cameras supported (cameras integrated with a pan-tilt head)

AW-HE100, AW-HE50

■ Pan-tilt heads supported

AW-PH360, AW-PH405, AW-PH650, AW-PH400 (AW-IF400 required)

■ Cameras supported (must be combined with the pan-tilt head supported)

AW-HE870, AW-E860, AW-E750, AW-E650, AW-E350, AK-HC1500, AK-HC1800

Notes

- Prior to use, be absolutely sure to set the movement ranges (limiters).
- When serial connections are used for the unit and remote cameras or pan-tilt head systems, the cables can be extended up to 1000 meters (3280 ft.).

In these instructions, the phrases “pan-tilt head and camera combination” and “camera integrated with a pan-tilt head” are both referred to collectively as “**remote camera**” except in places where specific equipment is referred to.

Accessories

Check that the following accessories are present and accounted for.

Operating Instructions <Basics> (this manual)	1	AC adapter	1
CD-ROM	1	Power cable	1
● Operating Instructions <Basics>			
● Operating Instructions <Operations and Settings>			
● Setup Software			

Required personal computer environment

Run the software that is provided with the switcher on a host computer which satisfies the following specifications.

CPU	Intel® Core™2 DUO 2.4 GHz or faster recommended
Memory	Windows® XP: 512 MB or more Microsoft® Windows Vista®, Microsoft® Windows® 7: 1 GB or more
Network function	10BASE-T or 100BASE-TX
Image display function	Resolution: 1024 × 768 pixels or more Color generation: True Color (24 bits or more)
Supported operating system	Microsoft® Windows® XP, Microsoft® Windows Vista®, Microsoft® Windows® 7
Hard disk drive	At least 50 MB of free memory
Other	CD-ROM drive (for using the Operating Instructions and various software) Adobe® Reader® (for browsing the Operating Instructions on the CD-ROM)

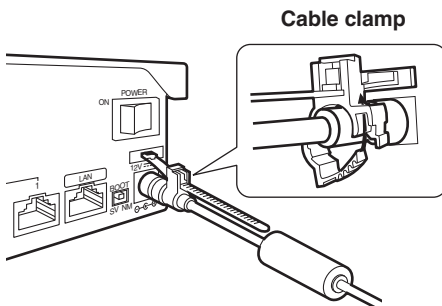
Installation precautions

● In addition to heeding the points presented in the “Safety precautions”, observe the following precautions as well.

Be absolutely sure to ask your dealer to do the jobs of installing and connecting the unit.

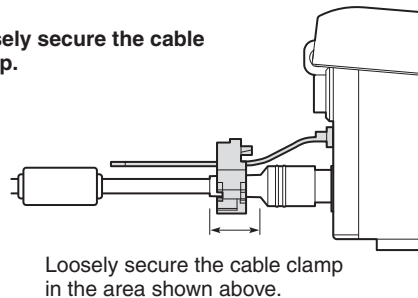
Connecting the power supply

- Use within AC 100 V to 120 V.
- Be absolutely sure to use only the power cable and AC adapter supplied with the unit.
- The power cable supplied with the unit has a 3-pin plug with a grounding terminal. Connect it to a 3-pole outlet which has been connected to ground.
- Be absolutely sure to connect the ground terminal (SIGNAL GND) at the rear of the unit to the system ground.
- When the unit is not going to be used for a prolonged period of time, turn off its power, and disconnect the power plug from the AC outlet.
- To prevent the DC plug from being disconnected, secure the cable of the AC adapter to the cable clamp.

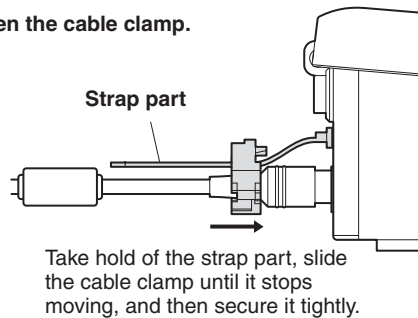


● How to secure the DC plug (side view)

- ① Loosely secure the cable clamp.



- ② Fasten the cable clamp.



Installation precautions

Handle carefully!

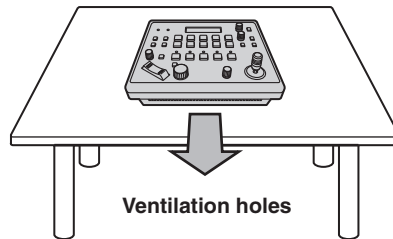
- Dropping the unit or subjecting it to strong impact or vibration may cause trouble and/or malfunctioning.

Do not allow any foreign objects to enter inside the unit!

- Allowing water, metal items, scraps of food or other foreign objects inside the unit may cause a fire and/or electric shocks.

Choosing the best installation location

- This unit is designed for indoor use only.
- Install the unit on a sufficiently strong, stable and level surface for use.
- Ensure a space of at least 100 mm (3-15/16") around the front vents to avoid obstructing ventilation. In particular, ensure sufficient space between ventilation and wiring when using mounted in a panel or table.
- Do not install the unit in a manner in which its cables and other accessories can be easily damaged.
- Do not install the unit in a cold place where the temperatures will drop below 0 °C (32 °F) or in a hot place where the temperatures will rise above +40 °C (104 °F).
- Avoid installing the unit where it will be exposed to direct sunlight or to the hot air that is blown out from other products.
- Installing the unit in a very humid, dusty or vibration-prone location may give rise to trouble.



Operating precautions

- In addition to heeding the points presented in the “Safety precautions”, observe the following precautions as well.

Handle carefully.

Do not drop the product, or subject it to strong shock or vibration.

Do not carry or move the product by the PAN/TILT lever.

This is important to prevent trouble.

Use the product in an ambient temperature of 0 °C to +40 °C (32 °F to 104 °F).

Avoid using the product at a cold place below 0 °C (32 °F) or at a hot place above +40 °C (104 °F) because extremely low or high temperature will adversely affect the parts inside.

Power off before connecting or disconnecting cables.

Before plugging or unplugging the cables, be sure to switch power off.

Avoid humidity and dust.

Avoid using the product at a humid, dusty place because much humidity and dust will cause damage to the parts inside.

Maintenance

Wipe the product using a dry cloth. To remove stubborn dirt, dip a cloth into a diluted solution of kitchen detergent (neutral), wring it out well, and wipe the product gently.

Then, after wiping the product with a moist cloth, wipe it again with a dry cloth.

Caution

- Avoid using benzene, paint thinners and other volatile fluids.
- If a chemical cleaning cloth is to be used, carefully read through the precautions for its use.

When the product is to be discarded

When the product is to be discarded at the end of its service life, ask a specialized contractor to dispose of it properly in order to protect the environment.

Concerning the consumable parts

- AC adapter:

This is a consumable part.

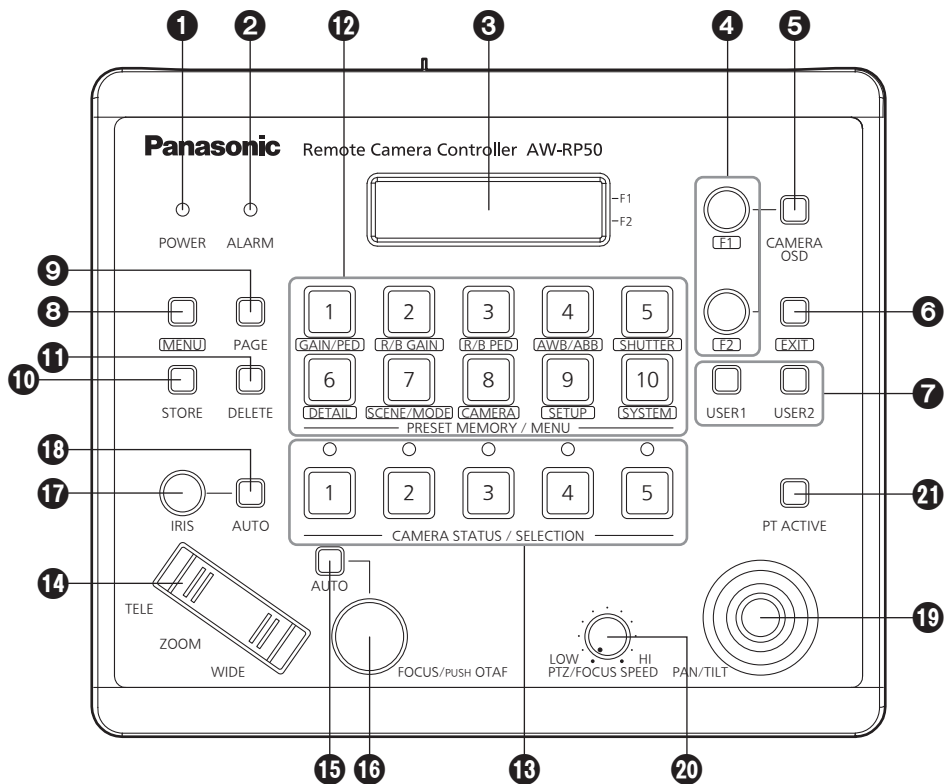
As a general rule, replace it every 5 years or so (when the unit has been operated for 15 hours a day).

The period when the consumable parts need to be replaced will differ depending on the operating conditions.

When the time comes to replace one of these parts, be absolutely sure to ask your dealer to do the job.

Parts and their functions

Control panel



1 POWER indicator [POWER]

This indicator lights when the POWER switch (22) on the rear panel is set to ON while power is supplied to the DC IN socket.

2 ALARM indicator [ALARM]

This indicator lights when there is a problem with the power supply (voltage drop). It also lights when an alarm (a cooling fan alarm or pan/tilt error) has been received from a remote camera.

☞ Refer to “Checking the equipment alarm information” (<Operations and Settings> Operating Instructions).

When the alarm indicator has lighted, stop using the unit immediately, and be absolutely sure to contact your dealer.

Continuing to use the unit even after an alarm has occurred may cause the unit to malfunction.

The alarm information can be output to an external device from the unit’s TALLY/GPI connector (25).

3 LCD panel

The current setting statuses are displayed on this panel.

4 F1 dial, F2 dial [F1, F2]

These dials are turned to change the menu values, and they are pressed to enter the changes that have been made.

The F1 dial is used to operate the items displayed at the top of the LCD panel, and the F2 dial is used to operate the items displayed underneath.

What appears on the on-screen displays of the remote cameras and how operations are performed differ depending on the camera type.

☞ Refer to “Operating the menu items of the selected remote camera” (<Operations and Settings> Operating Instructions).

5 CAMERA OSD button [CAMERA OSD]

When the CAMERA OSD button is held down, its indicator lights, and the on-screen menu of the selected remote camera is displayed as the output image of the remote camera.

When the button is held down again while its indicator is lighted, the menu is cleared, and the indicator goes off.

Parts and their functions

⑥ EXIT button [EXIT]

Press this during menu operations to return to the previous hierarchical level.

⑦ USER buttons [USER1, USER2]

The functions of some of the setting items on the menus can be assigned to [USER1] and [USER2] to be recalled later.

☞ Refer to “Setting the USER buttons” (<Operations and Settings> Operating Instructions).

⑧ MENU button [MENU]

Press this to recall the menus using the PRESET MEMORY/MENU buttons (⑫).

When it is pressed again while its indicator is lighted, the menu is cleared, and the indicator goes off.

Button indicator ON:

The menu operations take effect.

Button indicator OFF:

The menu operations have no effect.

☞ Refer to “Basic operations for the menus”.

⑨ PAGE button [PAGE]

Press this to specify the preset memory of the remote camera.

When the button is pressed, its indicator lights, and the mode for selecting the page of the preset memory is established.

In this mode, press one of the PRESET MEMORY/MENU buttons (⑫), and specify the page number. Next, specify the number on the page using one of the PRESET MEMORY/MENU buttons.

☞ Refer to “Setting and operating the preset memories” (<Operations and Settings> Operating Instructions).

⑩ STORE button [STORE]

Press this to register the preset memory data of the currently selected remote camera.

When it is pressed again while its indicator is lighted, the menu is cleared, and the indicator goes off.

Button indicator ON:

The preset memory data registration mode is established.

Button indicator OFF:

The preset memory data registration mode is released.

☞ Refer to “Setting and operating the preset memories” (<Operations and Settings> Operating Instructions).

⑪ DELETE button [DELETE]

Press this to delete the preset memory data for the currently selected remote camera.

When it is pressed again while its indicator is lighted, the menu is cleared, and the indicator goes off.

Button indicator ON:

The preset memory data deletion mode is established.

Button indicator OFF:

The preset memory data deletion mode is released.

☞ Refer to “Setting and operating the preset memories” (<Operations and Settings> Operating Instructions).

⑫ PRESET MEMORY/MENU buttons [PRESET MEMORY/MENU]

Use these buttons to recall the preset memory data and recall menus.

⑬ CAMERA STATUS/SELECTION buttons [CAMERA STATUS/SELECTION]

Use these buttons to select up to five remote cameras.

Button indicator ON:

The corresponding remote camera is selected.

Button indicator OFF:

The selection of the corresponding remote camera is released.

Using the menu, up to 100 remote cameras can be divided into 1 to 20 groups, and then registered and controlled. The statuses of the remote cameras assigned to buttons 1 to 5 can be identified using the indicators positioned above the buttons.

☞ Refer to “Selecting the remote cameras to be operated”.

⑭ ZOOM button [ZOOM]

Use this to adjust the lens zoom.

When the TELE end is pressed:

Telephoto setting

When the WIDE end is pressed:

Wide-angle setting

The zooming speed changes depending on the extent to which the button is pressed.

Parts and their functions

15 Auto focus button [AUTO]

Press this to control the focus automatically.

Button indicator ON:

Auto focusing

Button indicator OFF:

Manual focusing

During auto focusing, operating the FOCUS/PUSH OTAF dial (16) will have no effect.

- This function works when an auto focus function is provided in the remote cameras.
If the auto focus function is not provided, operate the focus manually (in which case the button indicator will be OFF).

16 FOCUS/PUSH OTAF dial [FOCUS/PUSH OTAF]

Use this to control the focus manually.

When it is turned clockwise:

The focusing moves to the far end.

When it is turned counterclockwise:

The focusing moves to the near end.

When the dial is pressed, auto focusing is initiated temporarily, and the subject being shot is brought into focus. (OTAF)

During auto focusing (while the indicator of the auto focus button (15) is lighted), operating this dial will have no effect.

OTAF: one-touch auto focus

17 IRIS dial [IRIS]

Use this dial to control the lens iris manually.

When it is turned clockwise:

The lens iris opens more and more.

When it is turned counterclockwise:

The lens iris closes more and more.

When it is held down:

The lens iris closes.

During auto iris (while the indicator of the auto iris button (18) is lighted), operating this dial will have no effect.

18 Auto iris button [AUTO]

Press this to control the lens iris automatically.

Button indicator ON:

Auto iris

Button indicator OFF:

Manual iris

During auto iris, operating the iris dial (17) will have no effect.

19 PAN/TILT lever [PAN/TILT]

Use this lever to control the direction of the remote cameras.

When it is leaned toward the left or right:

The cameras move to the left or right.

When it is leaned toward you or away from you:

The cameras move up or down.

The movement speed differs depending on the angle to which the lever is moved.

20 PTZ/FOCUS SPEED dial [PTZ/FOCUS SPEED]

Use this dial to adjust the speed at which the operations (pan, tilt, zoom, focus) of the remote cameras are controlled.

When it is turned clockwise:

Operation at a higher speed

When it is turned counterclockwise:

Operation at a lower speed

21 PT ACTIVE button [PT ACTIVE]

Press this to switch between enabling and disabling the PAN/TILT lever operations.

Button indicator ON:

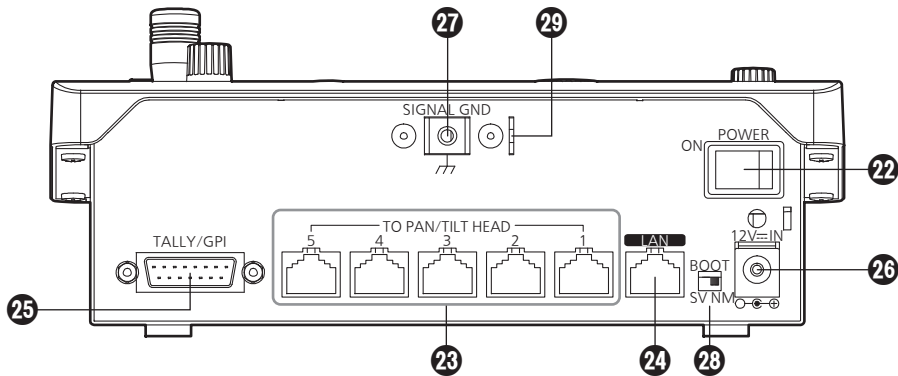
The PAN/TILT lever operations take effect.

Button indicator OFF:

The PAN/TILT lever operations have no effect.

Parts and their functions

■ Rear panel



22 POWER switch [POWER]

When the POWER switch is set to the ON position, the POWER indicator (●) lights, and the unit can be operated.

23 TO PAN/TILT HEAD 1 to 5 connectors [TO PAN/TILT HEAD 1 to 5] (RJ-45)

Connect the remote cameras to these connectors using straight cables (category 5 or above).

24 LAN connector [LAN] (RJ-45) (10BASE-T/100BASE-TX)

Connect the remote camera, switcher or host computer that supports IP connections to this connector using a LAN cable.

When directly connecting a device to the unit, use a crossover cable (category 5 or above).

When making the connection through a hub (switching hub) or other device, use a straight cable (category 5 or above).

25 TALLY/GPI input/output connector [TALLY/GPI]

(D-sub 15-pin, female, inch thread)

Refer to “Control interface for external devices” (<Operations and Settings> Operating Instructions).

26 DC IN socket [12V IN] (DC 12 V)

The AC adapter provided with the unit is connected to this socket.

27 Ground terminal [SIGNAL GND]

Connect this to the system's ground.

28 SERVICE switch [SV/NM]

This switch is used for maintenance purposes. Normally, it is set at the “NM” position.

29 Wire fastening fitting

An anti-theft wire available on the market can be fastened to this fitting to prevent theft.

Basic operations of the unit

1 Turn on the unit's power.

Set the POWER switch to the ON position. Power is now supplied to the unit, and the POWER indicator lights.

- However, when [CAMERA] → [POWER] → AUTO ON item have been selected and "On" is selected as the AUTO ON item setting, power-on is automatically instructed for the remote cameras controlled by the [SYSTEM] → CAM IP ADR item.

2 Select the remote cameras.

Select the remote cameras to be controlled using the CAMERA STATUS/SELECTION buttons.

3 Adjust the direction in which the remote cameras are to be pointed.

Use the PAN/TILT lever to adjust the direction in which the remote cameras are to be pointed.

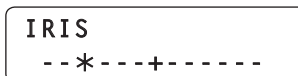
4 Adjust the zoom.

Use the ZOOM button to adjust the lens zoom. When the TELE side is pressed, the zoom is set to the telephoto mode; when the WIDE side is pressed, it is set to the wide-angle mode.

5 Adjust the lens iris.

Use the IRIS dial to adjust the lens iris.

- While the lens iris is being adjusted, a level meter is displayed on the LCD panel. (What is displayed by the level meter is an approximate value.)



Note

When performing adjustments for one remote camera from a multiple number of AW-RP50 remote camera controllers, the level meter may not show the correct displays.

6 Adjust the focus.

Turn the FOCUS/PUSH OTAF dial, and adjust the lens focus.

When the dial is pressed during manual focusing, the auto focus mode is established temporarily, and the subject is brought into focus automatically.

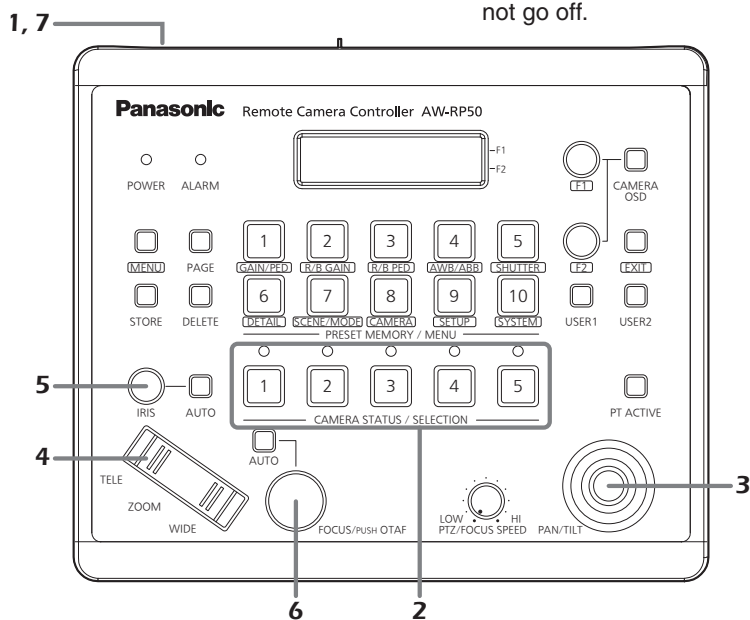
- The OTAF (one-touch auto focus) takes effect for remote cameras which are equipped with the OTAF function.

7 Turn off the unit's power.

Set the POWER switch to the OFF position.

The unit's power is turned off, and the POWER indicator goes off.

- Even when the unit's power is turned off, the power of the connected remote cameras does not go off.



For detailed operations, refer to the Operating Instructions — <Operations and Settings>.

Basic operations for the menus

1 Set the MENU button to ON.

Press the MENU button and light its indicator.

2 Select the target menu.

Press the corresponding PRESET MEMORY/MENU button, and light its indicator.

For details on the menus assigned to these buttons, refer to "Table of menu items" (<Operations and Settings> Operating Instructions).

The selected menu is displayed on the LCD panel.

3 Change the settings using the F1 dial and F2 dial.

Use the F1 dial and F2 dial to select the menus and change the settings.

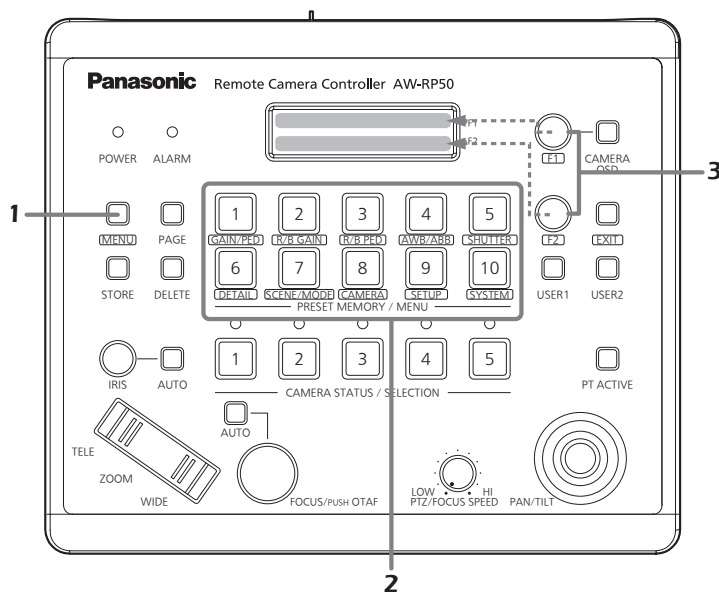
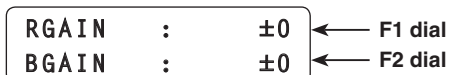
Use the F1 dial for operations involving the items displayed on the top line of the LCD panel.

Use the F2 dial for operations involving the items displayed on the bottom line of the LCD panel.

- Press the EXIT button to return the menu to its previous hierarchical level.
- When the down arrow "↓" is displayed for a setting item, it means that the value shown will be entered and the setting reflected when the F1 dial or F2 dial is pressed.



- When the down arrow "↓" is not displayed for a setting item, it means that the value shown will be entered and the setting reflected when the F1 dial or F2 dial is turned.



For detailed operations, refer to the Operating Instructions — <Operations and Settings>.

Network settings

This section describes how the unit's network are set.

Note

Correct operation is not possible if the same IP address already exists in the same network. Set the IP addresses in such a way that they do not duplicate any existing IP addresses.

Setting the unit

The unit's settings are established using the [SYSTEM] menu. Set the IP address, subnet mask and default gateway. First, the basic menu operations will be described.

1 Set the MENU button to ON.

Press the MENU button, and light its indicator.

2 Set the PRESET MEMORY/MENU 10 button (SYSTEM) to ON.

When the button is pressed and its indicator is lighted, the [SYSTEM] menu is displayed on the LCD panel.

[1]CAMERA CTL ▼

3 Turn the F1 dial, and display the [NETWORK] menu.

[6]NETWORK ◆

4 Press the F1 dial.

1. IP ADDRESS ▼
192↓168.000.009

5 Turn the F1 dial, and display the target setting item.

1. IP ADDRESS ▼
192↓168.000.009



2. SUBNETMASK ◆
255↓255.255.000



3. GATEWAY ◆
192↓168.000.001



4. MAC ADDRESS ▲

6 Turn the F2 dial, and select the setting.

2. SUBNETMASK ◆
255↓255.255.000

7 Press the F2 dial, and change the setting.

2. SUBNETMASK ◆
255.255↓255.000

Input all the settings except for the MAC address in four blocks of numerals. When input advances to the last block and the F2 dial is pressed, the IP address is entered.

2. SUBNETMASK ◆
255.255.255.000↓

- The MAC address is merely displayed — it cannot be changed.

Note

In order for the settings to take effect, the unit must be restarted. Turn off the unit's power, and then turn it back on again.

Network settings

Setting the IP address

On the [SYSTEM] menu, select the [NETWORK] menu, and display [IP ADDRESS]. Then operate the F2 dial to set the IP address. Select a setting which will not duplicate the IP setting of another device.

1. IP ADDRESS ▼
192↓168.000.009

If the same IP address is used more than once, the "IP Duplicate!" message is displayed on the LCD panel.

1. IP ADDRESS ▼
IP Duplicate!

If the IP address is incorrect, the following message is displayed on the LCD panel.

Unavailable
network setting

Notes

- In order for the setting to take effect, the unit must be restarted. Turn off the unit's power, and then turn it back on again.
- Consult the network administrator before setting the IP address.

Setting the subnet mask

On the [SYSTEM] menu, select the [NETWORK] menu, and display [SUBNETMASK]. Then operate the F2 dial to set the subnet mask.

2. SUBNETMASK ◆
255↓255.255.000

If the subnet mask is incorrect, the following message is displayed on the LCD panel.

Unavailable
network setting

Note

In order for the setting to take effect, the unit must be restarted. Turn off the unit's power, and then turn it back on again.

Setting the default gateway

On the [SYSTEM] menu, select the [NETWORK] menu, and display [GATEWAY]. Then operate the F2 dial to set the gateway.

3. GATEWAY ◆
192↓168.000.001

If the default gateway is incorrect, the following message is displayed on the LCD panel.

Unavailable
network setting

Note

In order for the setting to take effect, the unit must be restarted. Turn off the unit's power, and then turn it back on again.

Network settings

Setting the port number

Set the port number for the remote camera.
On the [SYSTEM] menu, select [CAM PORT] and display [PORT:CAM1] to [PORT:CAM100], and then operate the F2 dial to set the port number.

1. PORT:CAM1 ▼
80↓

Setting the MAC address

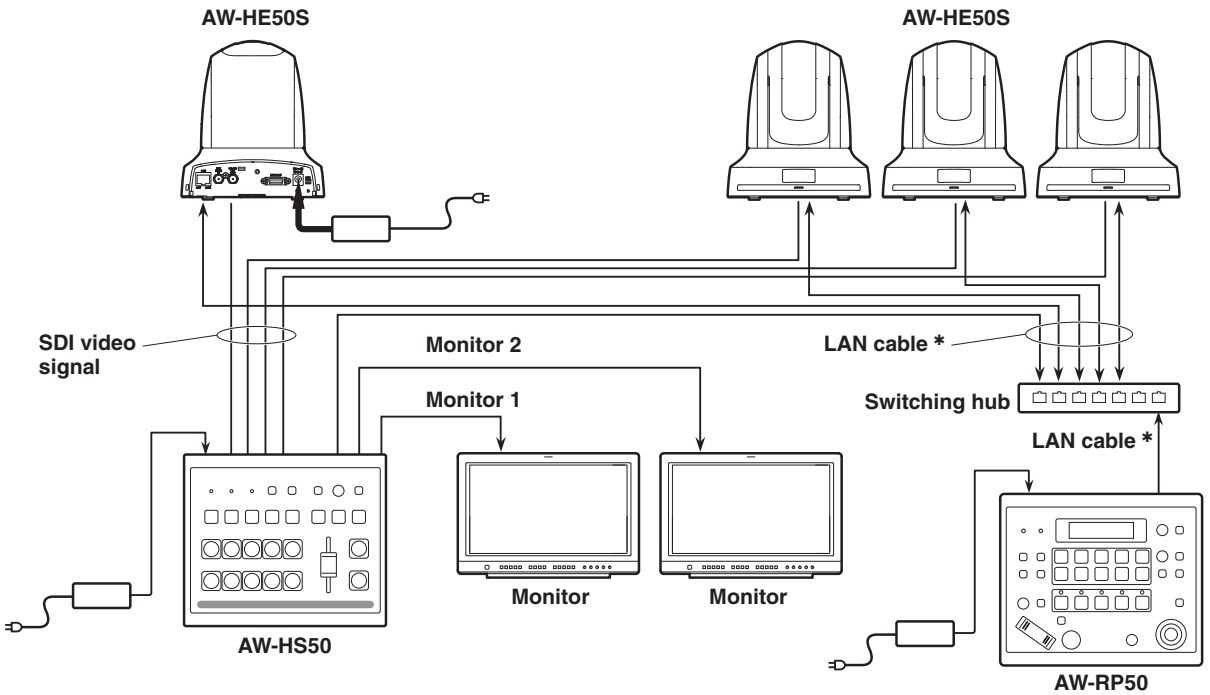
On the [SYSTEM] menu, select the [NETWORK] menu, and display [MAC ADDRESS].

4. MAC ADDRESS ▲

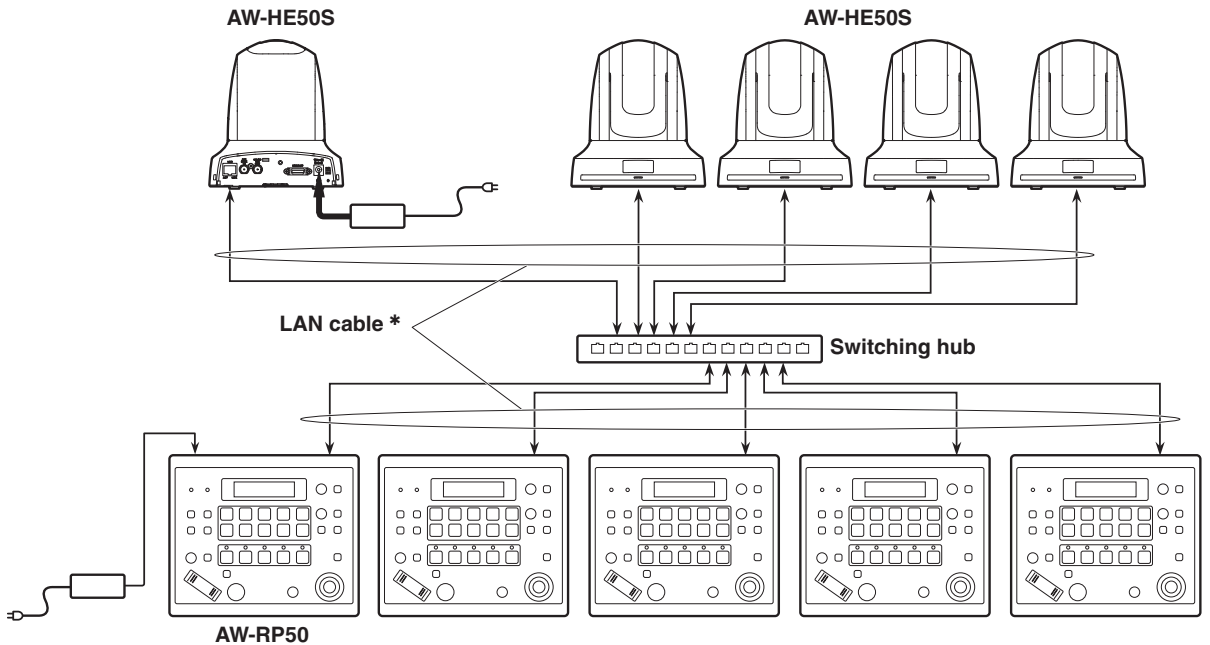
Connections

■ Example of IP connections

● Connections with the AW-HE50 and AW-HS50



● Connecting a multiple number of the units with the AW-HE50 units

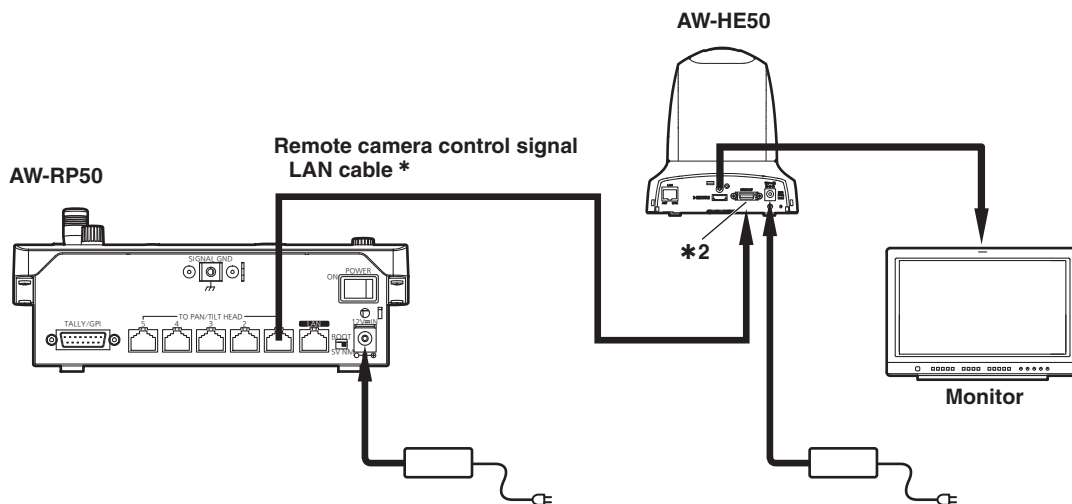


*: Use straight cables (category 5 or above) for these connections.

Connections

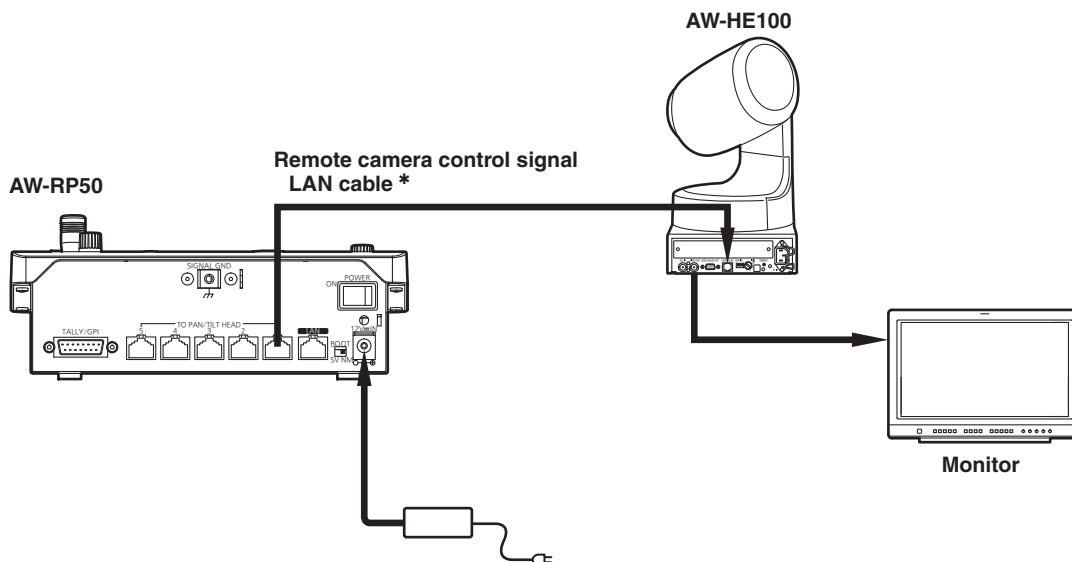
■ Example of serial connections

● Connection with the AW-HE50



- *1: Use straight cables (category 5 or above) for these connections.
- *2: The multi-interface cable (AW-CA20T6G) is required for the serial connection with the AW-HE50.

● Connection with the AW-HE100

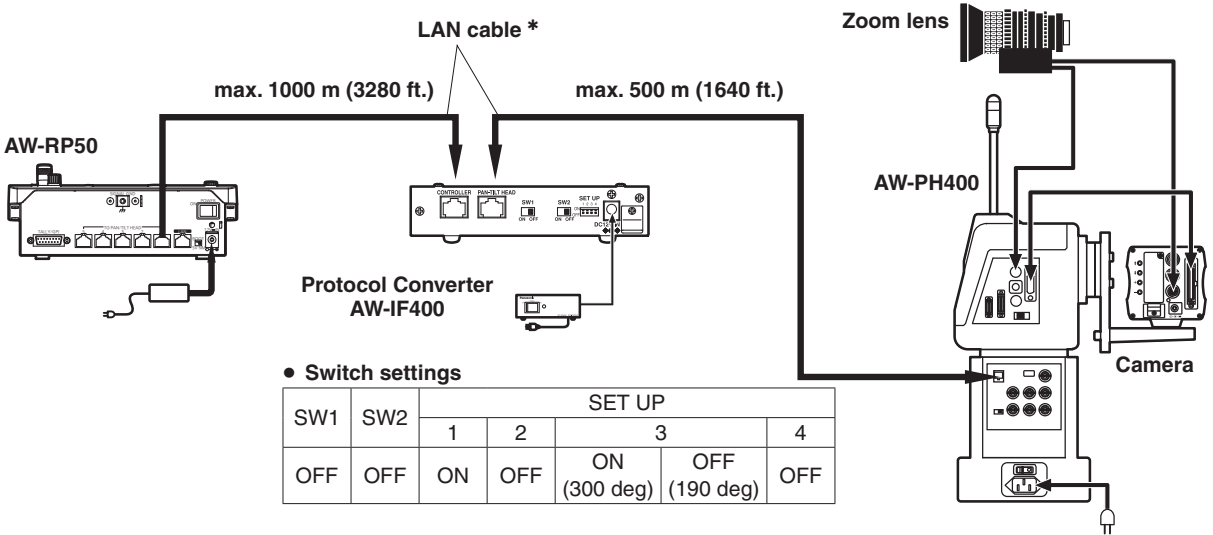


- *: Use straight cables (category 5 or above) for these connections.

Connections

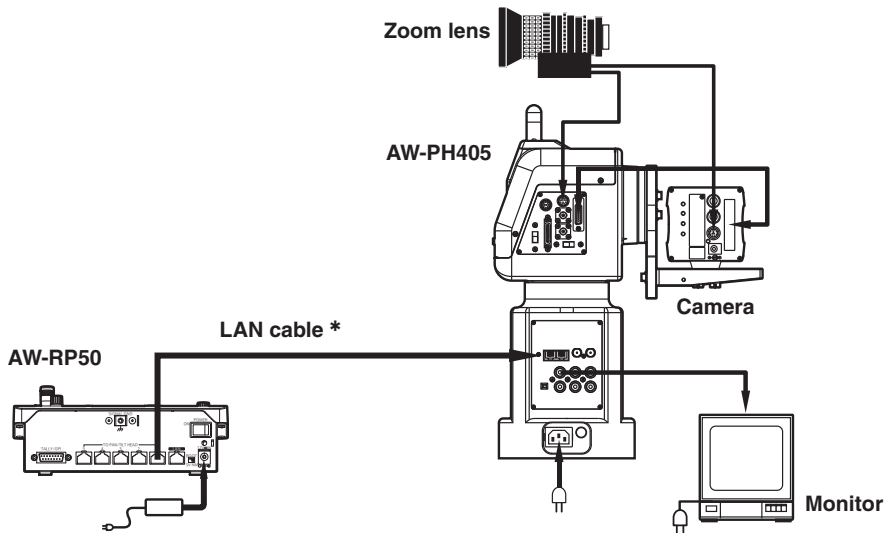
● Connections with the AW-PH400 and camera

Camera model:
AW-HE870, AW-E860, AW-E750, AW-E650, AW-E350, AK-HC1500 or AK-HC1800



● Connections with the AW-PH405 and camera

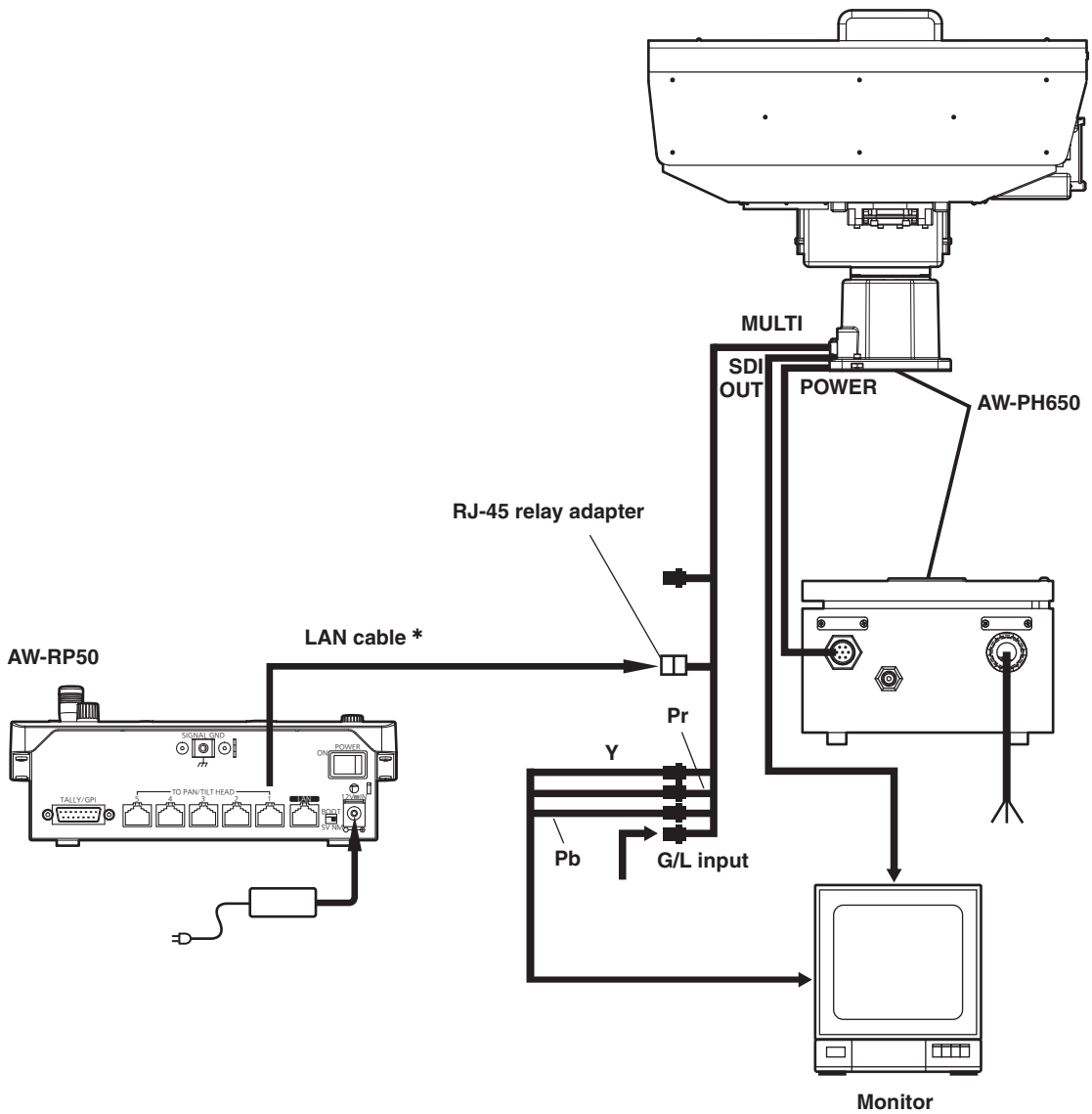
Camera model:
AW-HE870, AW-E860, AW-E750, AW-E650, AW-E350, AK-HC1500 or AK-HC1800



*: Use straight cables (category 5 or above) for these connections.

Connections

● Connection with the AW-PH650



*: Use straight cables (category 5 or above) for these connections.

Connections

There are two procedures for the connection settings, and these are described in “Settings for connection with the remote cameras” and “Settings for connection with the switcher”.

There are two series of steps to be taken for “Settings for connection with the remote cameras”.

- Setting method using the unit (Refer to the following items.)
 - ☞ “Settings for connection with the remote cameras”
 - ☞ “Setting the IP addresses automatically (auto IP setting)”
 - ☞ “Changing the IP addresses of the camera numbers controlled by the unit”
 - ☞ “Changing the camera numbers”
- Setting method using the “Setup Software”
 - ☞ Refer to “Setup Software” (<Operations and Settings> Operating Instructions). The “Setup Software” is provided on the supplied CD-ROM.

The “Settings for connection with the switcher” are established using the unit.

- ☞ Refer to “Setting linkup with the switcher” (<Operations and Settings> Operating Instructions).

If the same information on the settings for the connections with the remote cameras is shared among a multiple number (up to 5 units) of AW-RP50 remote camera controllers which are connected on the same network, the operations are performed using the “Setup Software” provided on the supplied CD-ROM.

- ☞ Refer to “Saving and loading data” in the “Setup Software” section of the (<Operations and Settings> Operating Instructions).

■ Settings for connection with the remote cameras

Either serial connection “Serial” or IP connection “Network” can be selected for the connections between the unit and the remote cameras for camera numbers CAM1 to CAM100.

On the [SYSTEM] menu, select [CAMERA CTL], and display [CAM1] to [CAM100].

Then select the setting for the camera numbers.

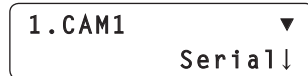
Serial: Serial connection

Network: IP connection

NoAssign: No setting assigned (initial setting)

● Serial connection

Select “Serial” as the setting for the target camera number.

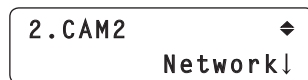


Camera numbers CAM1 to CAM5 correspond to the TO PAN/TILT HEAD connectors [1] to [5] on the unit's rear panel.

- Serial connection “Serial” cannot be selected for camera numbers CAM6 to CAM100.

● IP connection

Select “Network” as the setting for the target camera number.



On the [SYSTEM] menu, select [CAM IP ADR], and display [IP:CAM1] to [IP:CAM100]. Then use the IP addresses corresponding to the camera numbers for the connection.

Note

When performing the steps described in “Auto IP setting”, set “NoAssign” for the target camera number.

Connections

■ Setting the IP addresses automatically (auto IP setting)

When “Auto IP setting” is initiated, the IP addresses are set automatically for the remote cameras and the switcher which are connected within the same subnet. The IP addresses can be set for up to 100 remote cameras and one switcher.

[Remote camera settings]

The unit sets the IP addresses for the remote cameras that have been detected by associating them with **camera numbers whose connection setting is set to “NoAssign”**.

Connection settings:

On the [SYSTEM] menu, select [CAMERA CTL], and then display items [CAM1] to [CAM100].

Setting or changing IP addresses:

On the [SYSTEM] menu, select [CAM IP ADR], and then display items [CAM1] to [CAM100].

Example:

- ① Remote cameras A, B, and C are detected.
- ② In [CAMERA CTL], items [CAM1] to [CAM3] are all set to “NoAssign”.
- ③ In [CAM IP ADR], the IP addresses of items [CAM1] to [CAM3] range from 192.168.000.010 to 192.168.000.012.

In the above example, the IP addresses for the remote cameras are set as follows:

Remote camera A: 192.168.000.010
Remote camera B: 192.168.000.011
Remote camera C: 192.168.000.012

- Subnet mask, default gateway, and port number settings are the same as those for the unit.
- The connection setting for camera numbers that have been set once with “Auto IP setting” becomes “Network”.

These camera numbers will be excluded as targets of “Auto IP setting” the next time that “Auto IP setting” is performed.

However, if the IP address for a camera number that has been set with “Auto IP setting” is changed, or if a camera number’s connection setting is changed to “NoAssign” or “Serial”, the corresponding camera numbers will be targeted in the next “Auto IP setting” operation.

- If the IP address for a detected remote camera matches the IP address set for a camera number (a camera number with a connection setting other than “Serial”), the IP address setting for the remote camera will be used as is. If the IP address for a remote camera is set once and then changed so that it differs from the IP address set for the camera number, the remote camera IP address is set again to the camera number IP address.

[Switcher settings]

The IP address set in the [IP:SW] item from [SW IP ADR] on the [SYSTEM] menu will be set for the switcher.

Notes

- Duplication in the IP addresses may arise when a device other than a remote camera or switcher has been connected within the same subnet. Connect only devices which are covered by the “Auto IP setting” within the same subnet.
- If a remote camera with the same IP address as the unit’s exists, the IP address of the remote camera concerned cannot be set by following the steps in “Auto IP setting”.
- When a multiple number of AW-RP50 remote camera controllers have been connected in the same subnet, do not perform the steps described in “Auto IP setting” using each controller at the same time.
- When the steps described in “Auto IP setting” have been performed by operating the unit, do not use the “Setup Software” (provided with the unit) in the host computer end at the same time. Similarly, do not use the “Easy IP Setup Software” provided with the AW-HE50 at the same time. Otherwise, the settings may not be established correctly.

Connections

● When setting the IP addresses for the first time

The IP addresses are set while the remote cameras, switcher and unit are at their factory settings.

Note

Before setting the IP addresses, check that “NoAssign” is shown as the remote camera’s connection setting.

Connection settings:

On the [SYSTEM] menu, select [CAMERA CTL], and then display items [CAM1] to [CAM100].

Memo

- If the number of new devices detected exceeds the number of devices that can be registered (100 remote cameras and 1 switcher), [C/S OVER!] will be displayed at the bottom of the LCD panel. Automatic IP address setting can be performed even in this state, but IP addresses will be set only for the number of devices that can be registered.

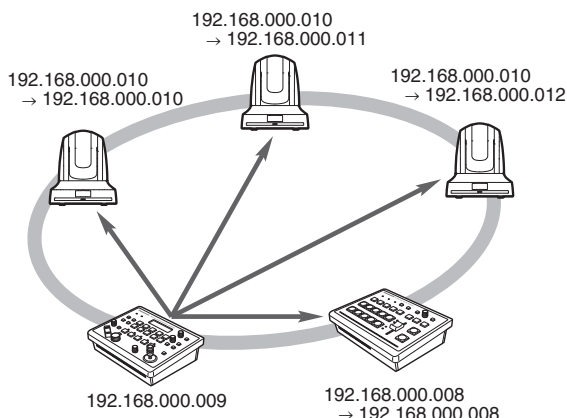
C: 020/100 S: 1/1
C/S OVER! YES↓

- When a multiple number of remote cameras have been started up at the same time, for instance, it may not be possible for all of these cameras to be detected by the unit. In this case, select “RETRY”, and then press the F2 dial to retry the operation. The number of units to be added can be updated.

- The number displayed for “Number of new devices detected” may be lower than the actual number of devices to be set, due to a cause such as the remote cameras or switches not being powered on. In this case, eliminate the cause of the problem, select “RETRY”, and then press the F2 dial to retry the operation. The number of units to be added can be updated.

C: 020/020 S: 1/1
RETRY↓

1 Connect the remote cameras, switcher and unit to the network within the same subnet.



2 On the [SYSTEM] menu, select [AUTO SET IP], and display [AUTO SETUP]. Then select “RENEW IP ADR”, and press the F2 dial.

1. AUTO SETUP
RENEW IP ADR↓

Both the number of devices (all remote cameras and the switcher) currently being managed by the unit and the number of new devices detected are displayed on the LCD panel.

C: 003/003 S: 1/1
YES↓

C: 003/003

Number of devices currently managed by the unit + Number of new devices detected

Number of new devices detected

C: Remote camera, S: Switcher

Connections

3 Turn the F2 dial, select “Yes”, and then press the F2 dial.

This starts the “Auto IP setting” process. When “Auto IP setting” has been initiated, the progress is shown by the number of displayed dots which are reduced one by one.



AUTO SETUP
.....

When all the operations have been completed successfully, “COMPLETE!” is displayed.



AUTO SETUP
COMPLETE!

The remote cameras and the switcher are automatically rebooted, and they restart with the new IP addresses which were set.

The remote cameras can now be operated from the unit.

The function for linking the switcher with the unit becomes available for use at this point.

Memo

If the IP addresses were not set successfully, “SET UP ERR!” is displayed.



AUTO SETUP
SET UP ERR!

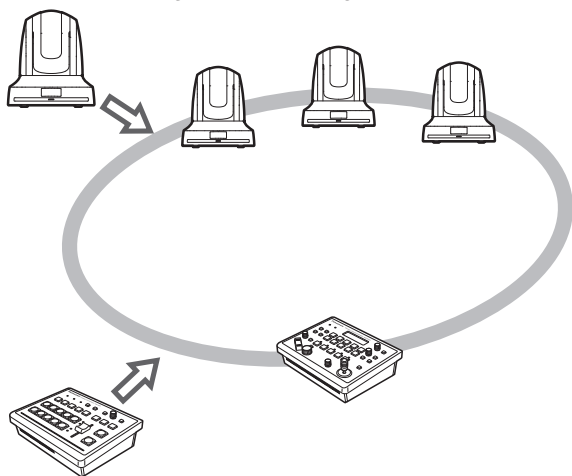
The cause of the problem is likely a network malfunction.

Check the connection status of the hub and LAN cables, and then retry the “Auto IP setting” operation.

Connections

● When introducing additional remote cameras or a switcher into an environment where similar existing devices are already in use

Even when additional remote cameras or switcher are introduced into an environment where similar existing devices are already in use, the settings can be easily established using “Auto IP setting”.



There are two methods for setting the IP addresses of newly introduced devices (remote cameras or a switcher), as follows:

1. **Setting the IP address from the unit**
2. **Changing the IP address on the unit to match the IP address of the remote camera or switcher**

This section explains each of these methods.

■ Setting the IP address from the unit

[Remote camera settings]

The unit sets the IP addresses for the remote cameras that have been detected by associating them with camera numbers whose connection setting is set to “NoAssign”.

Connection settings:

On the [SYSTEM] menu, select [CAMERA CTL], and then display items [CAM1] to [CAM100].

Setting or changing IP addresses:

On the [SYSTEM] menu, select [CAM IP ADR], and then display items [CAM1] to [CAM100].

Example:

- ① Three remote cameras are in operation.
- ② An additional remote camera is newly introduced (and becomes remote camera D).
- ③ Remote camera D is detected.
- ④ In [CAMERA CTL], the [CAM4] item is set to “NoAssign”.
- ⑤ In [CAM IP ADR], the IP address for the [CAM4] item is 192.168.000.013.

In the above example, remote camera D's camera number allocation becomes CAM4, and its IP address is set as follows:

Remote camera D: 192.168.000.013

- Subnet mask, default gateway, and port number settings are the same as those for the unit.

[Switcher settings]

The IP address set in the [IP:SW] item from [SW IP ADR] on the [SYSTEM] menu will be set for the switcher.

Connections

1 Connect the additional remote cameras and the switcher to be introduced and the unit to the network within the same subnet.

2 On the [SYSTEM] menu, select [AUTO SET IP], and display [AUTO SETUP]. Then select “RENEW IP ADR”, and press the F2 dial.

1.AUTO SETUP
RENEW IP ADR↓

Both the number of devices (all remote cameras and the switcher) currently being managed by the unit and the number of new devices detected are displayed on the LCD panel.

C : 001 / 004 S : 0 / 1
YES↓

C : 001 / 004

Number of devices currently managed by the unit + Number of new devices detected

Number of new devices detected

C: Remote camera, S: Switcher

Memo

- If the number of new devices detected exceeds the number of devices that can be registered (100 remote cameras and 1 switcher), [C/S OVER!] will be displayed at the bottom of the LCD panel. Automatic IP address setting can be performed even in this state, but IP addresses will be set only for the number of devices that can be registered.

C : 020 / 100 S : 1 / 1
C/S OVER! YES↓

- The number displayed for “Number of new devices detected” may be lower than the actual number of devices to be set, due to a cause such as the remote cameras or switches not being powered on. In this case, eliminate the cause of the problem, select “RETRY”, and then press the F2 dial to retry the operation.
The number of units to be added can be updated.

C : 020 / 020 S : 1 / 1
RETRY↓

3 Turn the F2 dial, select “Yes”, and then press the F2 dial.

This starts the “Auto IP setting” process. When “Auto IP setting” has been initiated, the progress is shown by the number of displayed dots which are reduced one by one.

AUTO SETUP
.....

When all the operations have been completed successfully, “COMPLETE!” is displayed.

AUTO SETUP
COMPLETE!

The remote cameras and the switcher are automatically rebooted, and they restart with the new IP addresses which were set. The remote cameras can now be operated from the unit. The function for linking the switcher with the unit becomes available for use at this point.

Memo

If the IP addresses were not set successfully, “SET UP ERR!” is displayed.

AUTO SETUP
SET UP ERR!

The cause of the problem is likely a network malfunction. Check the connection status of the hub and LAN cables, and then retry the “Auto IP setting” operation.

Connections

Changing the IP address on the unit to match the IP address of the remote camera or switcher

[Remote camera settings]

The unit sets the IP addresses for the remote cameras that have been detected by associating them with camera numbers whose connection setting is set to “NoAssign”.

Connection settings:

On the [SYSTEM] menu, select [CAMERA CTL], and then display items [CAM1] to [CAM100].

Setting or changing IP addresses:

On the [SYSTEM] menu, select [CAM IP ADR], and then display items [CAM1] to [CAM100].

Example:

- ① Three remote cameras are in operation.
- ② An additional remote camera with an IP address of “192.168.000.020” is newly introduced (and becomes remote camera E).
- ③ Remote camera E is detected.
- ④ In [CAMERA CTL], the [CAM4] item is set to “NoAssign”.

In the above example, on the [SYSTEM] menu, in [CAM IP ADR], the IP address of the [CAM4] item is set to “192.168.000.020”.

- Subnet mask, default gateway, and port number settings are the same as those for the unit.

[Switcher settings]

The IP address for the switcher will be set in the [IP:SW] item from [SW IP ADR] on the [SYSTEM] menu.

Note

If different subnet mask settings are used for unit and remote camera, no operations using the network will be possible.

- 1 Connect the additional remote cameras and the switcher to be introduced and the unit to the network within the same subnet.
- 2 On the [SYSTEM] menu, select [AUTO SET IP], and display [AUTO SETUP]. Then select “KEEP IP ADR”, and press the F2 dial.

1.AUTO SETUP
KEEP IP ADR↓

Both the number of devices (all remote cameras and the switcher) currently being managed by the unit and the number of new devices detected are displayed on the LCD panel.

C:001/004 S:0/1
YES↓

C:001/004

Number of devices currently managed by the unit + Number of new devices detected

Number of new devices detected

C: Remote camera, S: Switcher

Memo

- If the number of new devices detected exceeds the number of devices that can be registered (100 remote cameras and 1 switcher), [C/S OVER!] will be displayed at the bottom of the LCD panel. Automatic IP address setting can be performed even in this state, but IP addresses will be set only for the number of devices that can be registered.

C:020/100 S:1/1
C/S OVER! YES↓

- The number displayed for “Number of new devices detected” may be lower than the actual number of devices to be set, due to a cause such as the remote cameras or switches not being powered on. In this case, eliminate the cause of the problem, select “RETRY”, and then press the F2 dial to retry the operation. The number of units to be added can be updated.

C:020/020 S:1/1
RETRY↓

Connections

3 Turn the F2 dial, select “Yes”, and then press the F2 dial.

This starts the “Auto IP setting” process. When “Auto IP setting” has been initiated, the progress is shown by the number of displayed dots which are reduced one by one.

AUTO SETUP
.....

When all the operations have been completed successfully, “COMPLETE!” is displayed.

AUTO SETUP
COMPLETE!

The remote cameras can now be operated from the unit. The function for linking the switcher with the unit becomes available for use at this point.

Memo

- The “IP Duplication!” message is displayed if there is duplication between the IP addresses of the devices in operation and the IP addresses of the additional remote cameras to be introduced. The IP addresses are not set for those remote cameras whose IP addresses are in duplication.

AUTO SETUP
IP Duplication!

Check the IP addresses, and then retry the “Auto IP setting” operation.

- If the IP addresses were not set successfully, “SET UP ERR!” is displayed.

AUTO SETUP
SET UP ERR!

The cause of the problem is likely a network malfunction. Check the connection status of the hub and LAN cables, and then retry the “Auto IP setting” operation.

Connections

■ Changing the IP addresses of the camera numbers controlled by the unit

Use the steps below when connecting the remote cameras (through a router) whose IP addresses cannot be set by following the steps in “Auto IP setting”.

● Setting the IP addresses

On the [SYSTEM] menu, select [CAM IP ADR], and display [IP:CAM1] to [IP:CAM100]. The IP addresses of the camera numbers can now be changed.

Even when “NoAssign” or “Serial” has been selected as the [CAM1] to [CAM100] setting of [CAMERA CTL] on the [SYSTEM] menu, the IP addresses can still be changed.

1 . IP : CAM1 ▼
192 . 168 . 000 . 100 ↓

The IP addresses are set for all the camera numbers [CAM1] to [CAM100].

Initial values:

CAM1 (192.168.000.010)



CAM100 (192.168.000.109)

Memo

If the unit's IP address has been changed using the [IP ADDRESS] item of [NETWORK] on the [SYSTEM] menu, the IP addresses of the camera numbers which were set to “NoAssign” for the [CAM1] to [CAM100] item of [CAMERA CTL] on the [SYSTEM] menu and which are higher than the unit's IP address, will be automatically re-set in the sequence of the camera numbers set to “NoAssign” starting with the lowest number.

When the IP addresses are changed, a check for IP address duplication is conducted.

A check is carried out to verify whether there is any duplication with the IP addresses of the camera numbers which were set to “Network” for the [CAM1] to [CAM100] item of [CAMERA CTL] on the [SYSTEM] menu.

If duplication is found, the “Duplicate!” is displayed for three seconds, and the IP addresses cannot be set.

1 . IP : CAM1
Duplicate!

Note

The IP addresses set by following these steps are the IP address of the camera numbers controlled by the unit.

The IP addresses of the remote cameras are not changed.

Connections

■ Changing the camera numbers

The camera numbers which have been set by “Auto IP setting” can be changed. They are changed by replacing the IP addresses of the current camera numbers with the IP addresses of the camera numbers to be changed.

1 On the [SYSTEM] menu, select [CAMASSIGN], and display [CAM1] to [CAM100]. Then select the camera number to be changed.

2 Select the IP address of the remote camera for the selected camera number.

The tally indicator of the remote camera corresponding to the selected IP address lights. Operate the PAN/TILT lever, and check whether the camera whose camera number is to be changed is being moved.

The IP address that can be selected is the IP address of the camera number which has been set for “Network” for the [CAM1] to [CAM100] item of [CAMERA CTL] on the [SYSTEM] menu.

3 Press the F2 dial to enter the IP address.

The IP addresses for the camera number of the change destination and for the camera number of the change source are switched over.

1 . CAM1 ▼
192 . 168 . 000 . 100 ↓

Note

When “ASSIGN” is displayed for the [CAM1] to [CAM100] item of [CAM ASSIGN] on the [SYSTEM] menu, the CAMERA STATUS/ SELECTION buttons cannot be operated, and the camera operations (IRIS, FOCUS, PT, ZOOM and CAMERA OSD) cannot be controlled.

■ Changing the IP address of the switcher

The IP address of the switcher which was set by “Auto IP setting” can be changed.

1 On the [SYSTEM] menu, select [SW IP ADR], and display [IP:SW]. Then change the IP address.

■ Clearing the IP address control tables

All the IP address control tables which have been set can be cleared together.

1 On the [SYSTEM] menu, select [AUTO SETUP], and display [AUTO SETUP]. Then select “ALL CLEAR”, and press the F2 dial to clear all the tables.

1 . AUTO SETUP
ALL CLEAR ↓

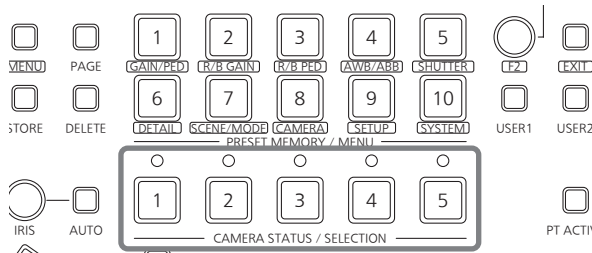
- The “Serial” settings are not cleared.

Selecting the remote cameras to be operated

Up to five remote cameras to be operated can be selected using the CAMERA STATUS/SELECTION buttons.

When one of the CAMERA STATUS/SELECTION buttons 1 to 5 is pressed, the indicator of the corresponding button lights.

The statuses of the remote cameras assigned to CAMERA STATUS/SELECTION buttons 1 to 5 can be identified by the lighting statuses of the indicators above the buttons.



Indicator lighting statuses and remote camera statuses

Indicator lighting status	Remote camera status	The unit and remote camera connections
Off	<ul style="list-style-type: none"> No remote camera has been assigned to the corresponding button. ("NoAssign" is set for the remote camera connection.) The power of the remote camera has not been turned on. (*1, *2) 	IP connection/ Serial connection
Lights (*3) (orange)	The remote camera is in the standby status.	IP connection/ Serial connection
Blinking (orange)	It is not possible for the unit to be connected to the remote camera concerned because five other AW-RP50 remote camera controllers have already been connected.	IP connection
Lights (green)	The unit is now connected with the remote camera.	IP connection/ Serial connection
Blinking (green)	The remote camera concerned is connected to an AW-RP50 remote camera controller which is other than the unit.	IP connection
Lights (red)	The image of the remote camera concerned is now on the air. (The OA tally signal is received over the network or at the GPI input connector.)	IP connection/ Serial connection
Blinking (red)	The remote camera concerned is connected to another AW-RP50 remote camera controller, and the image of the its remote camera is now on the air.	IP connection

- *1:** Follow the steps set forth in the "How to turn the power of the remote cameras on and off" in the <Operations and Settings> Operating Instructions, and turn on the power of the remote camera.
- *2:** When the AW-PH400 is connected through the protocol converter (AW-IF400), the indicator also will go off when the LAN cable has been connected or disconnected.
Follow the steps set forth in the "How to turn the power of the remote cameras on and off" in the <Operations and Settings> Operating Instructions, and turn off the power of the remote camera and then turn it back on.
- *3:** This is "Off" when the AW-PH400 is connected through the protocol converter (AW-IF400).

Selecting the remote cameras to be operated

Up to 100 cameras can be divided into 1 to 20 groups by menu operations, and controlled by the unit. The selection procedure is described below.

1 Set the MENU button to ON.

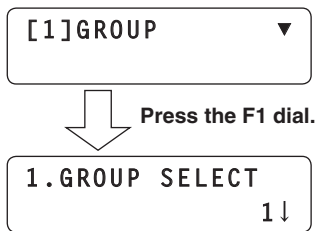
Press the MENU button and light its indicator.

2 Set the PRESET MEMORY/MENU 8 button (CAMERA) to ON.

When the button is pressed and its indicator is lighted, the [CAMERA] menu is displayed on the LCD panel.

3 Press the F1 dial.

The GROUP SELECT item is displayed.

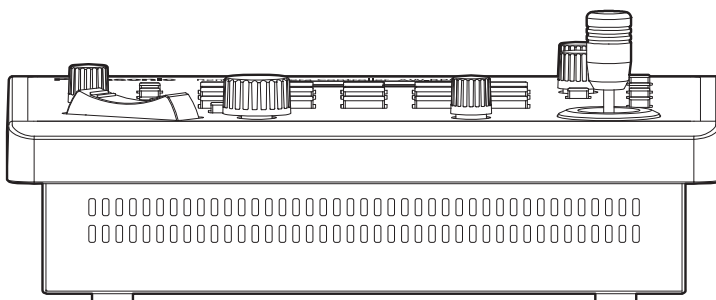
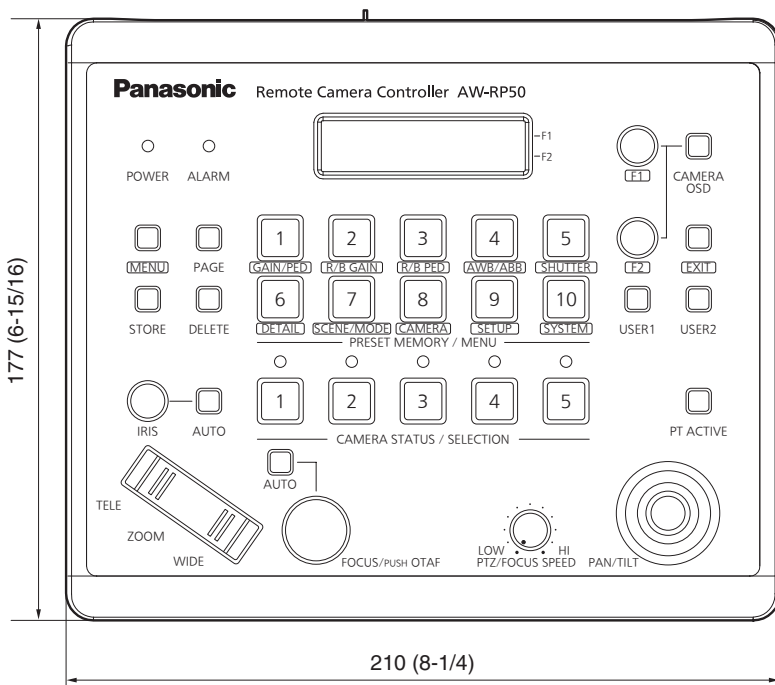
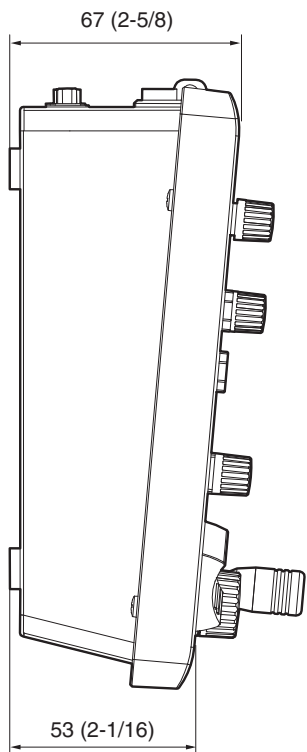
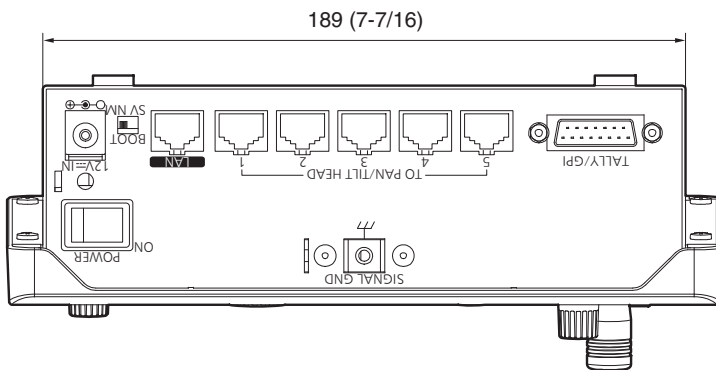


4 Turn the F2 dial, select the group, and then press the F2 dial.

The remote cameras assigned to the group selected here can be selected using the CAMERA STATUS/ SELECTION buttons.

Appearance

Unit: mm (inch)



Specifications

Power requirements: DC 12 V \pm 10 %
(AC adapter provided)
Current consumption: 0.5 A (DC 12 V)

 indicates safety information.

■ GENERAL

Ambient operating temperature:
0 °C to +40 °C (32 °F to 104 °F)

Allowable humidity ranges:
10 % to 90 % (no condensation)

Mass:
Approx. 1.1 kg (2.43 lbs.)

Dimensions (W × H × D):
210 × 67 × 177 mm
(8-1/4" × 2-5/8" × 6-15/16")
[excluding protrusions]

■ Input/Output connector

LAN (RJ-45):
10BASE-T/100BASE-TX
Connecting cable: LAN cable, max. 100 meters
(328 ft.)

- When the unit is connected via a switching hub:
Straight cable (category 5 or above), STP
(Shielded Twisted Pair) cable recommended
- When the unit is connected directly:
Crossover cable (category 5 or above), STP
(Shielded Twisted Pair) cable recommended

TO PANTILT HEAD (RJ-45):
RS-422 (control signals for remote cameras)
Connecting cable:
Straight cable (category 5 or above)
max. 1000 meters (3280 ft.)

TALLY/GPI (D-sub 15-pin, female, inch thread):
TALLY IN:
5 inputs (for receiving photocoupler signals)
GPI IN:
4 inputs (for receiving photocoupler signals)
GPI OUT:
4 outputs (open collector outputs, negative logic)

■ AC adapter

Input:
AC 100 V to 240 V, 1.5 A, 50/60 Hz

Output:
DC 12 V, 2.5 A, 30 W

**The provided power cable is for 125 V AC or less.
Use it within AC 100 V to 120 V.**

Mass and dimensions shown are approximate.
Specifications are subject to change without notice.

Panasonic®

Panasonic Solutions Company

3 Panasonic Way, Secaucus, NJ 07094 Tel: 877-803-8492
www.panasonic.com/broadcast e-mail: MediaProServices.PSC@us.panasonic.com

Panasonic Canada Inc.

5770 Ambler Drive, Mississauga, Ontario L4W 2T3 Tel: 905-624-5010

Panasonic de Mexico S.A. de C.V.

Casa Matriz: Felix Cuevas No. 6 Pisos 2 y 3 Col. Tlacoquemecatl Del Valle Del Benito Juárez México, D.F., C.P.03200
Tel: 55-5488-1000 Fax: 55-5575-6763

Panasonic Latin America, S.A.

Avenida Simon Bolivar, Edificio Panasonic P.O.Box 0816-03164 Panama, Republic of Panama
Tel: +507-229-2955 Fax: 507-229-5352

Panasonic do Brasil Ltda.

Rua Cubatão, 320 - 8 andar - Paraíso CEP: 04013-001 São Paulo - SP Tel: (11) 3889-4000 Fax: (11) 3889-4107

© Panasonic System Networks Co., Ltd. 2010

Printed in Japan
F0610Y1070 