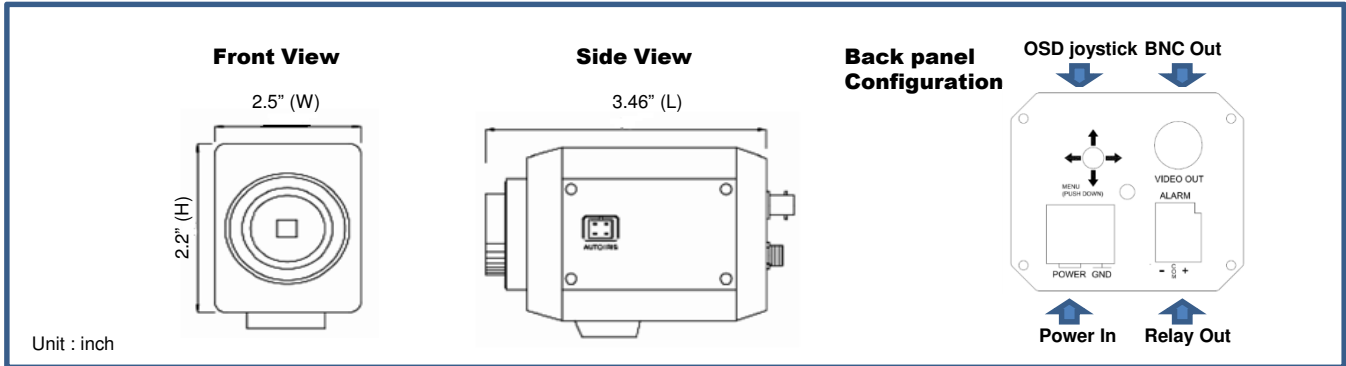


**Intensifier H® Series Traditional Camera**  
**Accepts C & CS mount lenses, Dual Voltage (12VDC / 24VAC)**  
**HTINTT5H – Grey housing**



200 New Highway, Amityville, NY 11701  
 800-645-5516 / www.specotech.com

**DIMENSIONS**

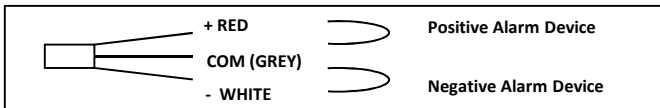


Unit : inch

**SPECIFICATIONS**

ITEMS	Intensifier H® Series Traditional Camera
Lens	Accepts C & CS mount lenses optionally
Image Sensor	1/3" SONY COLOR 960H CCD
Resolution	700TV lines
Total Pixels	1020(H) x 508(V) (NTSC)
Effective Pixels	976(H) x 494(V) (NTSC)
Scanning System	2 : 1 Interlace
Synchronization	Internal
Min. Illumination	0.01Lux at F1.2, 0.00001Lux (Sens-up x512)
S/N (Y signal)	50dB
Shutter	1/60~1/120,000sec (NTSC)
Power Consumption	150mA (DC) / 2W (AC)
Power Supply	12VDC / 24VAC Dual Voltage
Operational Temp.	14° F - 122° F
Storing Temp.	-4° F - 140° F
Dimensions	2.5"(W) x 2.2"(H) x 3.46"(L)
Weight	1.5lbs.

**RELAY-Out (ALARM-Out)**



Connect (+, COM) for Positive activation and (-, COM) for Negative activation of External Alarm Device when Motion Detection is 'ON' in the camera.

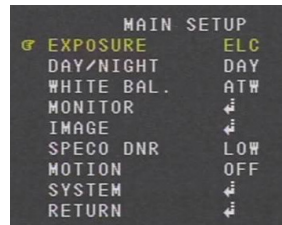
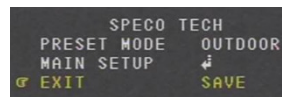
**OSD MENU Details**

**PRESET** : Used for quick and easy setup for the installation environment.

**MAIN SETUP** : to adjust more detailed Function, press this button then you get More OSD tree as window as right side.

**EXIT**

- SAVE : Press to save the current settings and exit main menu.
- RESTORE : Press to exit main menu without saving settings.
- INITIAL : Resets all settings to its factory defaults.



**OSD MENU TREE**

- PRESET MODE**
  - INDOOR • OUTDOOR • LOW LIGHT • LOBBY • HALLWAY • ELEVATOR
- MAIN SETUP\*\*\***
- EXIT**
  - SAVE • RESTORE • INITIAL
- MAIN SETUP\*\*\***
  - EXPOSURE**
    - ALC • ELC
    - AGC • INTENSIFY
  - DAY / NIGHT**
    - DAY • NIGHT • EXT. • AUTO
  - WHITE BAL**
    - ATW • PUSH • MANUAL
  - MONITOR**
    - GAMMA • CHROMA • SHARPNESS • SHADING • PED.LV
  - IMAGE**
    - BACKLIGHT • CONTRAST • POSI/NEGA • H-MIRROR • PRIVACY
    - BLC • HLC • WDR • DEFOG
  - SPECO DNR**
    - LOW / MIDDLE / HIGH / OFF
  - MOTION**
  - SYSTEM**
    - CAM TITLE • CAM ID • ID DISP • SYNC • SPECIAL • LANGUAGE

**EXPOSURE** : Adjusts exposure settings.

ALC / ELC (Automatic Light Control) / ELC (Electronic Light Control)

LENS : Select the lens type (ALC/ELC)

BRIGHTNESS : Adjusts image brightness. (0~ 20)

SHUTTER : Auto / Manual Shutter can be selectable (1/60 ~ 1/120000)

FLK(Flicker Less) : Select this when the picture flickers (ON/OFF)

AGC: Adjusts the Automatic Gain Control level. (0~20)

INTENSIFY : x2-x512 (increasing magnification may cause noise/distortion).

**DAY / NIGHT** : Adjust Day / Night options.

DAY : Full time color mode (This camera has this function as a factory default)

NIGHT : Full time B/W mode.

AUTO : Day / Night is switching automatically by AGC level.

EXTERN & CDS : not use for this camera

# Intensifier H® Series Traditional Camera

## Accepts C & CS mount lenses, Dual Voltage (12VDC / 24VAC)

### HTINTT5H – Grey housing



200 New Highway, Amityville, NY 11701  
800-645-5516 / www.specotech.com

**WHITE BAL :** Adjusts white balancing options.  
**ATW :** Automatically white balances the image.  
**PUSH :** if you press it in appropriate item position, then Auto White Balance will perform once.  
**MANUAL :** manually adjust the scene to your desired settings.  
**RED :** Adjusts the red gain level. (0~20)  
**BLUE :** Adjusts the blue gain level. (0~20)

**MONITOR :** Sets the video output to main input types.  
**GAMMA :** Sets the desired Gamma value (0.35/0.40/0.45/0.50/0.55/0.60/0.65/0.70)  
**CHROMA :** Sets the color gain (0~20)  
**SHARPNESS :** Sets the amount of sharpness applied on the image(0~20)  
**SHADING :** Sets the Lens Shading Compensation value. (0~20)  
**PED. LV :** Sets the Pedestal Level (0~20)

**IMAGE :** Adjusts various effect options.  
**BACKLIGHT :** Adjusts backlight options.  
**BLC :** Produces a clearer image of an object darkened by strong backlighting.  
**HLC :** Used to contain extremely bright areas such as car headlights, the light can be masked out.  
**CONTRAST :** Adjusts Contrast options.  
**WDR :** Uses a digital wide dynamic range to balance dark and over saturated areas within the image.  
**DEFOG :** Activate this mode when the video or the weather is foggy. It maintains a clear picture.  
**POSI/NEGA :** Changes to Positive or Negative image.

**H-MIRROR :** Flips the image along the y-axis.  
**PRIVACY :** Used to hide regions of the image.  
**MASK LV :** Selects the desired mask color  
**AREA NO.:** Selects the current mask area from 1 to 8 zones  
**DISPLAY :** Selects ON/OFF to display of mask zone or not.  
**TOP/BOTTOM/LEFT/RIGHT :** Adjusts the mask zone size for directions.

**SPECO DNR :** Reduces the background noise caused by the digital enhancement of a low light environment. If AGC is turned OFF, DNR will be disabled. (LOW/MIDDLE/HIGH)

**MOTION :** Adjusts motion detection settings.  
**SENSITIVITY :** Sets the desired multiple of the digital exposure length.(0~20)  
**AREA NO :** Selects the current motion zone from area1 to 4.  
**AREA USE :** Adjusts the motion detection zone size.  
**TOP/BOTTOM/LEFT/RIGHT :** Adjusts the mask zone size for directions

**SYSTEM :** Adjusts various System options.  
**CAM TITLE :** Determines the camera name. (ON/OFF)  
**CAM ID :** Sets the ID for the RS-485 (0~255)  
**ID DISP. :** ON(Disables camera NO/ID)/OFF(Displays camera No/ID)  
**LANGUAGE :** Sets the desired OSD language. (ENGLISH/GERMAN)  
**SPECIAL :** Adjusts special options.  
**DEFECT DET :** To remove "White Spot(Dead Pixel)" on screen  
**FONT COLOR :** Sets the camera OSD color(0~8)

#### \* IMPORTANT SAFETY INSTRUCTIONS \*

- 1) Read these instructions.
- 2) Keep these instructions.
- 3) Heed all warnings.
- 4) Follow all instructions.
- 5) Do not use this apparatus near water.
- 6) Clean only with a dry cloth.
- 7) Do not block any of the ventilation openings. Install in accordance with the manufacturer's instructions.
- 8) Do not install near any heat sources such as radiators, heat registers, stoves, or other apparatus (including amplifiers) that produce heat.
- 9) Do not defeat the safety purpose of the polarized or grounding type plug. A polarized plug has two blades with one wider than the other. A grounding type plug has two blades and a third grounding prong. The wide blade or the third prong is provided for your safety. When the provided plug does not fit into your outlet, consult an electrician for replacement of the obsolete outlet.
- 10) Protect the power cord from being walked on or pinched particularly at plugs, convenience receptacles, and the point where they exit from the apparatus.
- 11) Only use the attachments/accessories specified by the manufacturer.
- 12) Use only with a cart, stand, tripod, bracket, or table specified by the manufacturer, or sold with the apparatus. When a cart is used, use caution when moving the cart/apparatus combination to avoid injury from tip-over.
- 13) Unplug this apparatus during lightning storms or when unused for long periods of time.
- 14) Refer all servicing to qualified service personnel. Servicing is required when the apparatus has been damaged in any way, such as power supply cord or plug is damaged, liquid has been spilled or objects have fallen into the apparatus, the apparatus has been exposed to rain or moisture, does not operate normally, or has been dropped.



#### \* WARNING \*

"To reduce the risk of fire or electric shock, do not expose this apparatus to rain or moisture."  
 "Apparatus shall not be exposed to dripping or splashing and that no objects filled with liquids, such as vases, shall be placed on the apparatus."  
*Pour réduire le risque de feu ou de décharge électrique, n'exposez pas cet appareil à la pluie ou à l'humidité. L'appareil doit être gardé à l'abri des gouttes ou des éclaboussures et aucun objet rempli d'un liquide, comme un vase, ne devrait être posé sur l'appareil.*

In USA and Canada, Use a Class 2 power supply only

#### \* CAUTION \*

These servicing instructions are for use by qualified service personnel only. To reduce the risk of electric shock do not perform any servicing other than that contained in the operating instructions unless you are qualified to do so.  
*Ces instructions d'entretien sont pour l'utilisation par le personnel de service qualifié seulement. Afin d'éviter tout danger de décharge électrique, n'exécutez pas d'autre entretien que ceux indiqués dans le manuel d'instruction à moins que vous soyez qualifié pour le faire.*

#### •FCC Information \*

This equipment has been tested and found to comply with limits for a class A digital device, pursuant to part 15 of the FCC rules. These limits are designed to provide reasonable protection against harmful interference when the equipment is operated in a commercial environment. This equipment generates, uses, and can radiate radio frequency energy and, if not installed and used in accordance with the instruction manual, may cause harmful interference to radio communications. Operation of this equipment in a residential area is likely to cause harmful interference in which case the user will be required to correct the interference at his own expense



#### LIMITED WARRANTY - VIDEO PRODUCTS

THIS WARRANTY IS VALID ONLY ON PRODUCTS PURCHASED AND USED IN THE UNITED STATES OF AMERICA AND CANADA. THIS WARRANTY APPLIES ONLY TO THE ORIGINAL USER.

SUBJECT TO CONDITIONS AND EXCLUSIONS FOUND BELOW, THIS PRODUCT IS WARRANTED AGAINST MANUFACTURING DEFECTS IN MATERIAL AND WORKMANSHIP FOR THE FOLLOWING PERIOD FOR PARTS AND LABOR:

SPECO TECHNOLOGIES CAMERAS.....	5 YEARS	DVRS.....	3 YEARS
SPECO TECHNOLOGIES IP CAMERAS.....	2 YEARS	NVRS.....	3 YEARS
SPECO PTZ AND VL CAMERAS.....	1 YEAR	BALANCE OF	
SPECO TECHNOLOGIES MONITORS.....	1 YEAR	SPECO TECHNOLOGIES LINE.....	1 YEAR
IR LEDS.....	90 DAYS		

SPECO TECHNOLOGIES WILL REPAIR OR REPLACE (AT OUR DISCRETION) ANY PARTS FOUND TO BE DEFECTIVE FOR THE WARRANTY PERIOD SPECIFIED. WE WILL PROVIDE A REPLACEMENT FOR ANY DEFECTIVE PART.

#### CONDITIONS

1. YOU MUST OBTAIN A RETURN AUTHORIZATION (RA) NUMBER FOR ANY MERCHANDISE BEING RETURNED TO SPECO TECHNOLOGIES, WHETHER FOR RETURN/EXCHANGE OR REPAIR, WHETHER IN OR OUT OF WARRANTY.
2. THIS WARRANTY WILL BE HONORED ONLY UPON PRESENTATION OF THE ORIGINAL DATED BILL OF SALE OR SALES SLIP.
3. TRANSPORTATION OF THE PRODUCT TO OUR SERVICE DEPARTMENT IS THE RESPONSIBILITY OF THE USER. REPAIRED OR REPLACED PRODUCT WILL BE RETURNED PREPAID DURING THE WARRANTY PERIOD.
4. SPECO TECHNOLOGIES DOES NOT AUTHORIZE ANY INTERNET OR MAIL ORDER PRODUCT SALES. IF A SPECO TECHNOLOGIES PRODUCT IS PURCHASED FROM AN UNAUTHORIZED DISTRIBUTOR OR OTHER SOURCE, INCLUDING RETAILERS, MAIL ORDER SELLERS AND ONLINE SELLERS, IT WILL NOT BE HONORED OR SERVICED UNDER THE EXISTING SPECO TECHNOLOGIES WARRANTY POLICY ANY SPECO TECHNOLOGIES PRODUCT PURCHASED FROM THESE ONLINE MERCHANTS WILL VOID THE APPLICABLE WARRANTY AND IS INELIGIBLE FOR TECHNICAL SUPPORT. IF YOU HAVE QUESTIONS ABOUT A RESELLER, PLEASE CONTACT SPECO TECHNOLOGIES AT 1-800-645-5516 FOR A LIST OF UNAUTHORIZED DEALERS, VISIT: [www.specotech.com/unauthorized](http://www.specotech.com/unauthorized).

#### EXCLUSIONS

1. THIS WARRANTY SHALL NOT COVER ADJUSTMENT OF CUSTOMER OPERATED CONTROLS AS EXPLAINED IN THE APPROPRIATE MODEL'S INSTRUCTION MANUAL OR PRODUCTS WHICH HAVE BEEN ALTERED, ABUSED, OR HAVE MISSING OR ALTERED SERIAL NUMBERS.
  2. THIS WARRANTY SHALL NOT APPLY TO UNCRATING, SETUP, INSTALLATION, OR THE REMOVAL AND REINSTALLATION OF PRODUCTS AFTER REPAIR.
  3. THIS WARRANTY SHALL NOT APPLY TO REPAIRS OR REPLACEMENTS NECESSITATED BY ANY CAUSE BEYOND THE RESULT OF MANUFACTURE INCLUDING, BUT NOT LIMITED TO, ANY MALFUNCTION, DEFECTS OR FAILURE CAUSED BY OR RESULTING FROM UNAUTHORIZED SERVICE OR PARTS, IMPROPER MAINTENANCE, MODIFICATION OR REPAIR BY THE USER, ABUSE, MISUSE, NEGLIGENCE, ACCIDENT, FIRE, FLOOD, OR OTHER ACTS OF NATURE, INCORRECT LINE VOLTAGE, DAMAGE OR IMAGE BURNS TO TELEVISION PICTURE TUBES CAUSED BY OR ATTRIBUTABLE TO THE USE OF ANY ACCESSORY, ELECTRONICS GAME OR DEVICE, OR DAMAGE CAUSED TO IMAGE PICKUP DEVICES BY EXCESSIVE LIGHT.
- THE FOREGOING IS IN LIEU OF ALL OTHER EXPRESSED WARRANTIES AND WE DO NOT AUTHORIZE ANY PARTY TO ASSUME FOR US ANY OTHER OBLIGATION OR LIABILITY. IN NO EVENT SHALL WE BE LIABLE FOR INCIDENTAL OR CONSEQUENTIAL DAMAGES ARISING FROM THE USE OF THIS PRODUCT, OR FOR ANY DELAY IN THE USE OF THIS PRODUCT DUE TO CAUSES BEYOND OUR CONTROL. SOME STATES DO NOT ALLOW LIMITATIONS OF HOW LONG AN IMPLIED WARRANTY LASTS AND/OR DO NOT ALLOW THE EXCLUSION OR LIMITATION OF CONSEQUENTIAL DAMAGES. THE ABOVE LIMITATIONS ON IMPLIED WARRANTY AND CONSEQUENTIAL DAMAGES MAY NOT APPLY TO YOU. THIS WARRANTY GIVES YOU SPECIFIC LEGAL RIGHTS. YOU MAY HAVE OTHER RIGHTS WHICH VARY FROM STATE TO STATE.
- NOTE: FOR YOUR PROTECTION IN THE EVENT OF THEFT OR LOSS OF THIS PRODUCT, PLEASE FILL IN THE INFORMATION REQUESTED BELOW AND RETAIN WITH YOUR SALES RECEIPT.**

MODEL NO. : \_\_\_\_\_ SERIAL NO. : \_\_\_\_\_  
 (LOCATED ON BACK OR BOTTOM OF UNIT)  
 DATE OF PURCHASE : \_\_\_\_\_  
 WHERE PURCHASED : \_\_\_\_\_ PURCHASE PRICE : \_\_\_\_\_

Speco Technologies  
200 New Highway  
Amityville, NY 11701  
[www.specotech.com](http://www.specotech.com)

FOR MORE INFORMATION REGARDING SERVICE OR RETURN,  
CALL US TOLL FREE: 1-800-645-5516 IN METRO NY: 631-957-8700

ALWAYS USE DISCRETION WHEN INSTALLING VIDEO AND/OR AUDIO SURVEILLANCE EQUIPMENT ESPECIALLY WHEN THERE IS AN EXPECTATION OF PRIVACY. INQUIRE REGARDING FEDERAL, STATE AND/OR LOCAL REGULATIONS APPLICABLE TO THE LAWFUL INSTALLATION OF VIDEO AND/OR AUDIO RECORDING OR SURVEILLANCE EQUIPMENT. PARTY CONSENT MAY BE REQUIRED.

12-2000 5/12

**Speco Technologies is constantly developing product improvements. We reserve the right to modify product design and specifications without notice and without incurring any obligation. Rev. 082114**