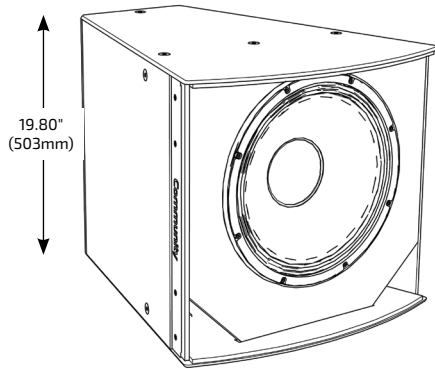


**I SERIES**

Point Source 800

# IP8-1151

 HIGH POWER LOW FREQUENCY  
 INSTALLATION LOUDSPEAKER

**APPLICATIONS**
**MAIN PA (Small to Medium Size Venues)**

 Houses of Worship · Auditoriums · Restaurants  
 Meeting Rooms · Theaters · Corporate A/V Systems

**DISTRIBUTED OR FILL (Larger Size Venues)**

 Arenas · Stadiums · Night Clubs · Theaters  
 Themed Entertainment · Larger Houses of Worship

**DESCRIPTION**

I SERIES Point Source 800 loudspeakers provide exemplary acoustic performance, modular flexibility and elegant aesthetics for modern performance venues. Designed to support the goals of systems integrators and consultants both acoustically and mechanically, I SERIES includes a wide variety of arrayable, rotatable coverage patterns and a comprehensive selection of modular bracket systems that accelerate system design and system commissioning.

An FEA-optimized linear suspension, high-flux neodymium motor, and integral demodulation ring ensures precise control and very low distortion at high SPL levels. The custom long-excursion LF driver delivers deep bass response and a balanced midrange in the most demanding applications.

The 15-inch (381mm) LF driver is housed in a trapezoidal enclosure with the same vertical dimensions as the IP8-0002 MF/HF loudspeaker as well as the IS8-115 and IS8-118 Subwoofers. The system has been engineered to allow designers to develop very low profile three-way and four-way systems using the same modular bracket systems as the full height loudspeakers. Additionally, the IP8-1151 can be used within full size I SERIES arrays to enhance LF pattern control and steering capabilities when flown above, below, beside or behind an existing I SERIES array.

**FEATURES**

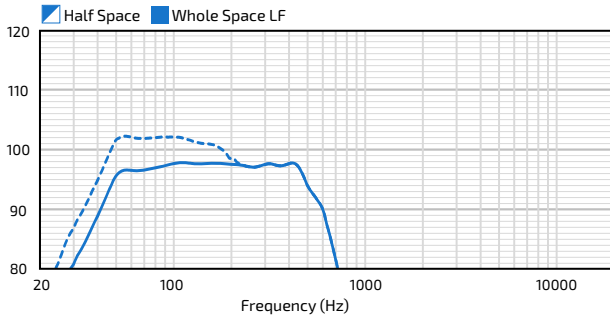
- High-flux, linear neodymium motor with demodulation ring for very low distortion
- Matched-size enclosure and aligned suspension point for seamless integration in low profile arrays with IP8-0002, IS8-115 and IS8-118 subwoofers
- Integrates into larger arrays to enhance LF pattern control and steering
- Innovative low profile modular bracket systems create elegant arrays with simplified installation

**TECHNICAL SPECIFICATIONS<sup>1</sup>**

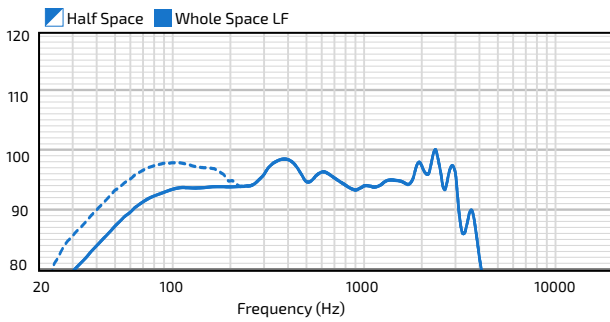
<b>Operating Mode</b>	Single Amp		
<b>Operating Environment</b>	Indoor		
<b>Operating Range<sup>2</sup></b>	30 Hz to 3.8 kHz		
<b>Transducers</b>	LF – 1 x 15" (381mm) neodymium motor woofer, 3" (76mm) voice coil, demodulation ring		
<b>Continuous Power Handling<sup>3</sup> @ Nominal Impedance</b>	Single Amp	69V	600W @ 8 ohms (2400W peak)
<b>Nominal Sensitivity<sup>4</sup></b>	LF	@ 1W 96 dB	@ 2.83V 96 dB
<b>Nominal Maximum SPL<sup>5</sup></b>	LF	Peak 130 dB	Continuous 124 dB
<b>Equalized Sensitivity<sup>6</sup></b>	LF	@ 1W 95 dB	@ 2.83V 95 dB
<b>Equalized Maximum SPL<sup>7</sup></b>	LF	Peak 129 dB	Continuous 123 dB
<b>Recommended Amplifiers</b>	Single Amp	600W - 1200W @ 8 ohms, (69V - 98V)	
<b>PHYSICAL</b>			
<b>Input Connection</b>	(2) Screw terminal blocks (4-position)		
<b>Mounting Points</b>	(14) M10 threaded rigging points		
<b>Environmental</b>	IPX4 per IEC 60529 , designed in accordance with MIL-STD-810G		
<b>Dimensions/Weight/Finish</b>	Refer to the Technical Drawing		
<b>OPTIONS</b>			
<b>Accessories</b> (Refer to Accessory Guide for complete listing)	Rigging kits include: <b>BFR22</b> : BalancePoint™ Fly Rails; <b>IVY0002</b> : Vertical Yoke; <b>IAF55</b> : Isometric Array Frame; <b>HAB3-BFR38</b> : Sub/Dual 3-Way Horiz Array; <b>HSB3/VSB3</b> : Multiple Splay Brackets for Horiz/Vert Arrays with/without Sub Behind options; <b>DFS</b> : Downfill Splay Kit; <b>DVS-BFR22</b> : Dual Vert Splay Kit with BalancePoint™ Fly Rails; <b>TPK</b> : Tight Pack Kit		
<b>Configure-to-Order (CTO)</b>	Custom color		

# IP8-1151 HIGH POWER LOW FREQUENCY INSTALLATION LOUDSPEAKER

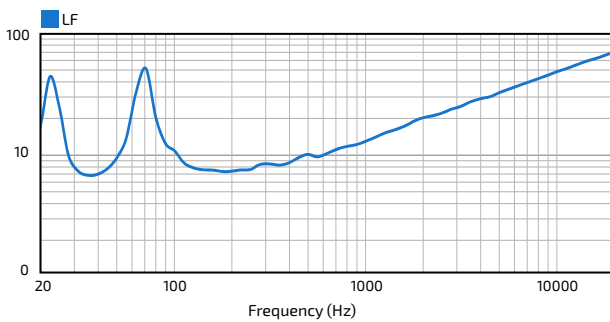
## AXIAL PROCESSED RESPONSE (dB)<sup>8</sup>



## AXIAL SENSITIVITY (dB SPL)<sup>9</sup>



## IMPEDANCE (Ohms)



Min Impedance: (LF) 6.8 ohms @ 40 Hz

# IP8-1151 HIGH POWER LOW FREQUENCY INSTALLATION LOUDSPEAKER

## TECHNICAL DRAWING / DIMENSIONS / FINISH

**H x W x D**  
19.80" x 22.10" x 26.30"  
(503 x 561 x 668 mm)

**Unit Weight**

54 lbs (24.5 kg) loudspeaker only

**Shipping Weight**

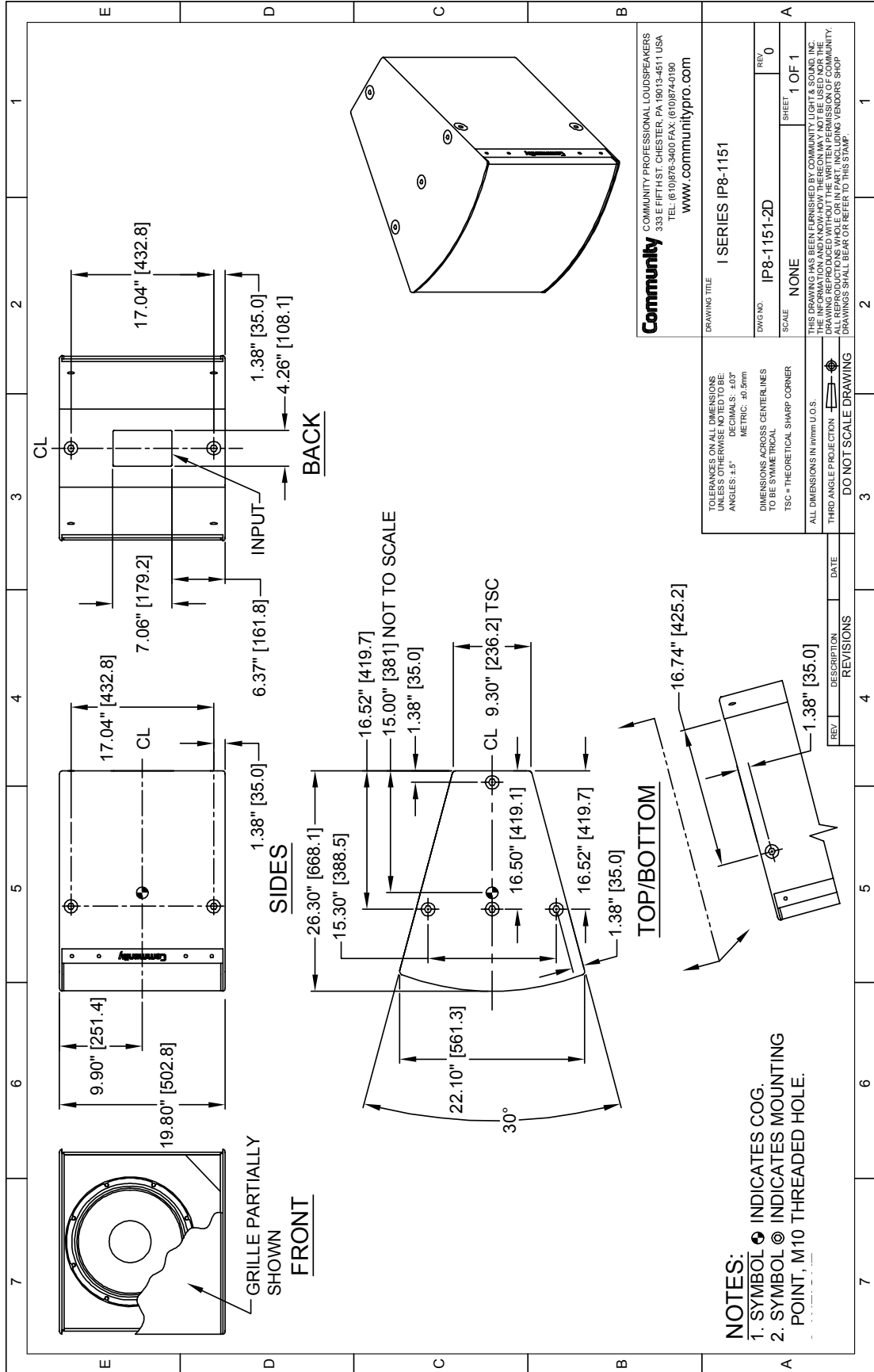
67 lbs (32.4 kg)

**Grille:**

Powder-coated perforated steel backed with color-matched acoustically transparent woven fabric. Black (RAL#9005) or White (RAL#9003)

**Enclosure / Finish**

Black (RAL#9004) or White (RAL#9003) low gloss, uniformly textured painted 15mm Baltic Birch plywood



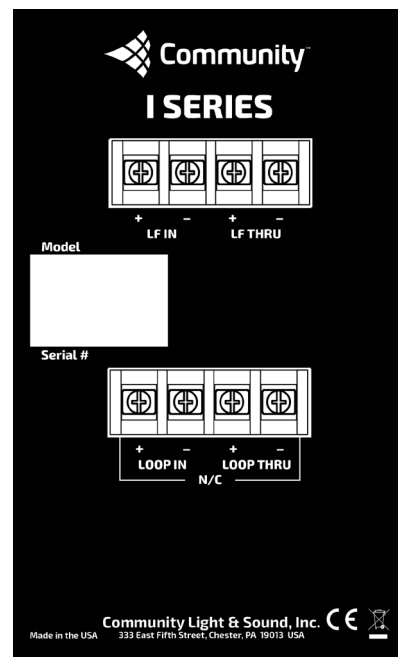
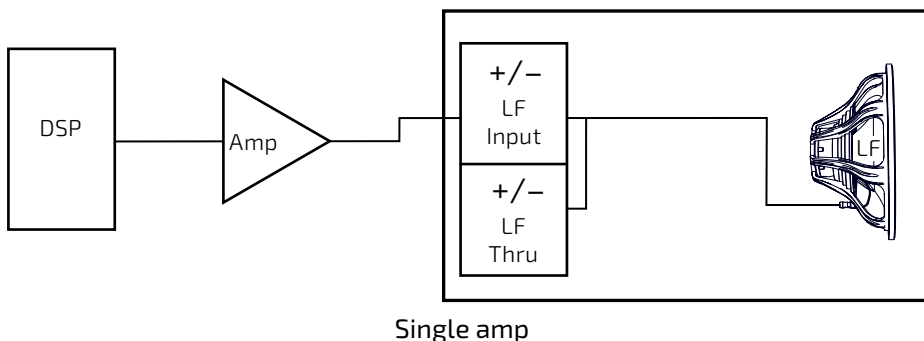
## I SERIES

Point Source 800

# IP8-1151

HIGH POWER LOW FREQUENCY  
INSTALLATION LOUDSPEAKER

## CONNECTION DIAGRAMS



LF input panel

## NOTES

- PERFORMANCE SPECIFICATIONS** All measurements are taken indoors using a time-windowed and processed to eliminate room effects, approximating an anechoic environment, a distance of 6.0 m. All acoustic specifications are rounded to the nearest whole number. An external DSP with settings provided by Community Professional Loudspeakers is required to achieve the specified performance; further performance gains can be realized using Community's dSPEC226 loudspeaker processor with FIR power response optimization.
- OPERATING RANGE** The frequency range in which the axial processed response remains within 10dB of the average SPL.
- CONTINUOUS POWER HANDLING** Maximum continuous input voltage (and the equivalent power rating, in watts, at the stated nominal impedance) that the system can withstand, without damage, for a period of 2 hours using an EIA-426-B defined spectrum; with recommended signal processing and protection filters.
- NOMINAL SENSITIVITY** Averaged SPL over the operating range with an input voltage that would produce 1 Watt at the nominal impedance and the averaged SPL over the operating range with an input voltage of 2.83 Volts, respectively; swept sine wave axial measurements with no external processing applied in whole space, except where indicated.
- NOMINAL MAXIMUM SPL** Calculated based on nominal / peak power handling, respectively, and nominal sensitivity; exclusive of power compression.
- EQUALIZED SENSITIVITY** The respective SPL levels produced when an EIA-426-B signal is applied to an equalized loudspeaker system at a level which produces a total power of 1 Watt, in sum, to the loudspeaker subsections and at a level which produces a total voltage, in sum, of 2.83 volts to the loudspeaker subsections, respectively; each referenced to a distance of 1 meter.
- EQUALIZED MAXIMUM SPL** The SPL produced when an EIA-426-B signal is applied to an equalized loudspeaker system, at a level which drives at least one subsection to its rated continuous input voltage limit, referenced to a distance of 1 meter. The peak SPL represents the 2:1 (6dB) crest factor of the EIA-426-B test signal.
- AXIAL PROCESSED RESPONSE** The axial magnitude response of the complete loudspeaker system and each pass band capable of being driven by an independent amplification channel with recommended signal processing applied. 1/6 octave smoothing applied.
- AXIAL SENSITIVITY** The SPL plotted against frequency, in all operating modes and for each pass band capable of being driven by an independent amplification channel, for a 1 Watt swept sine wave, referenced to 1 meter with no signal processing. 1/6 octave smoothing applied.

Data presented on this spec sheet represents a selection of the basic performance specifications for the model. These specifications are intended to allow the user to perform a fair, straightforward evaluation and comparison with other loudspeaker spec sheets. For a detailed analysis of this loudspeaker's performance, please download the GLL file and/or the CLF file from our website: [communitypro.com](http://communitypro.com).