

Ultra HD Display with webOS™

▶ **98LS95A-5B**

98" class (97.52" diagonal)



ELEGANT, STUNNING, ADVANCED.

The award winning 98LS95A delivers superior 3840 x 2160 resolution in a 16:9 aspect ratio and boasts four times the resolution of Full HD displays. The display, with a bezel width of just 14.6mm at its thinnest point, may be mounted in portrait or landscape mode for a wide range of commercial applications. Its optimized SoC has powerful performance to play various content and its webOS platform allows signage software developers to install and run their software in a more simplified solution. These giant edge-lit LED displays offer an attractive alternative to traditional tiled video walls as for example, the 98-inch class model is equivalent to a 2x2 49-inch class array.

IPS In Plane Switching

Super IPS accurately display an image's quality and color at an 178° ultra wide viewing angle. There is no fall-off in color accuracy and no diversion in contrast ratio at wide angles. From bright sunlight to the most challenging lighting environments these displays are designed to reproduce and maintain the ultimate color temperature for lifelike images.

Specifications

Native Display Resolution 3,840 x 2,160 (UHD)

High Brightness 500cd/m²

Contrast Ratio 1,200:1 (Typ.)

178°/178° Ultra Wide Viewing Angle

Suitable for Portrait or Landscape Installation

RJ-45 LAN Control

DP 1.2 Daisy-Chain

RS-232C Control

Convenient External Speaker-Out

High Efficiency Video Coding (HEVC)

Free SuperSign Lite S/W For Content Management

Free SuperSign C S/W For Remote Control

Built-in Internal Memory

Bezel Width 14.9mm

4K Up Scaling

3-Year Limited Warranty Parts/Labor/Backlight

Ultra HD Large Screen

ULTRA HD

Ultra HD screens deliver an immersive viewing experience and have high definition picture quality that is 4 times higher than Full HD.

3,840 X 2,160

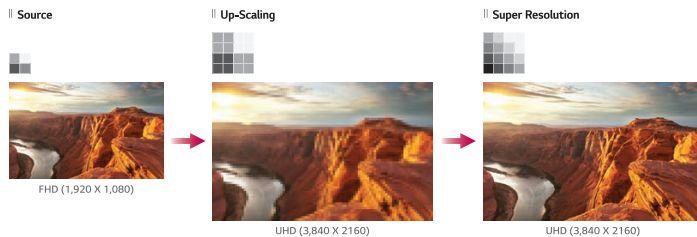


1,920 X 1,080

Full HD to Ultra HD Up-Scaling

UP-SCALING AND SUPER RESOLUTION

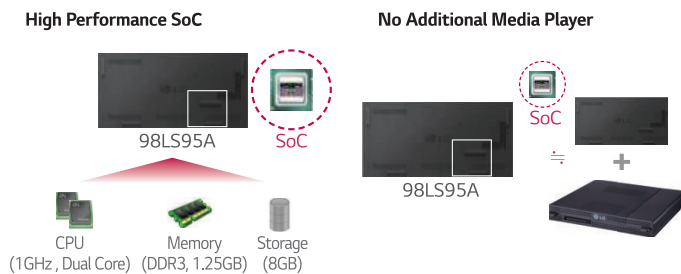
Up-scaling and Super Resolution technology enhance the quality of Full HD content to near Ultra HD quality.



Smart Platform

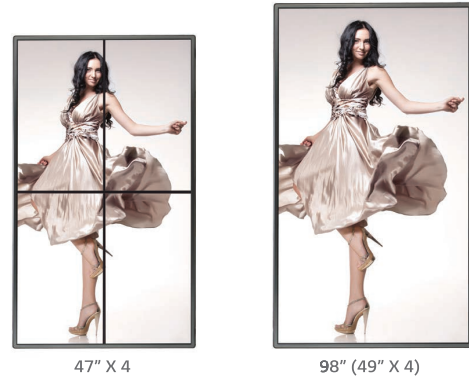
HIGH PERFORMANCE & COST-EFFECTIVE SOC

Without an additional media player, LG's SoC type embedded media player can display content such as images, movie clips, etc.



IMMERSIVE LARGE SCREEN

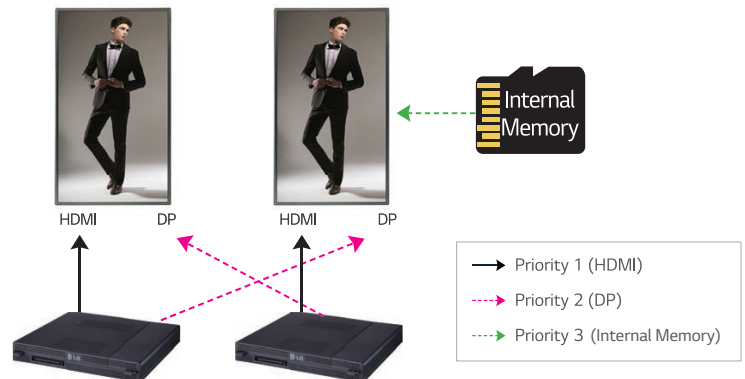
98" class displays deliver seamless content as an alternative to the traditional 2x2 video wall.



Enhanced Failover

AUTO SIGNAL SWITCHING

The enhanced failover function enables content in the internal memory to be displayed without dead spots when none of the external inputs are working. To display content without dead spots, the monitor performs the signal switching automatically.



- * Auto signal switching from external player to internal memory upon player failure
- * Can be assigned 5 input interfaces max (HDMIx2, DP, DVI, Internal Memory)

SIMPLE CUSTOMIZATION

Allows your SI (System Integrator) to build apps using our SDK (Software Development Kit) to easily apply your own logo during idle times, such as booting and no signal periods.

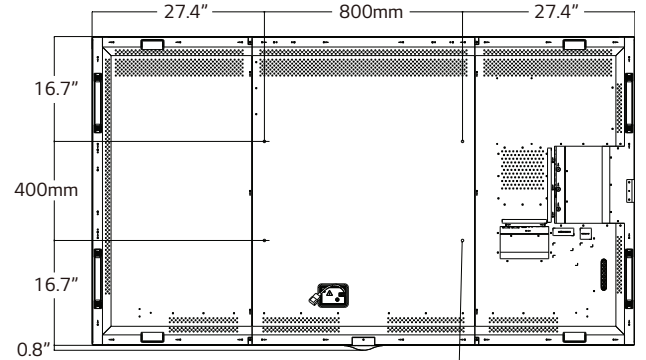
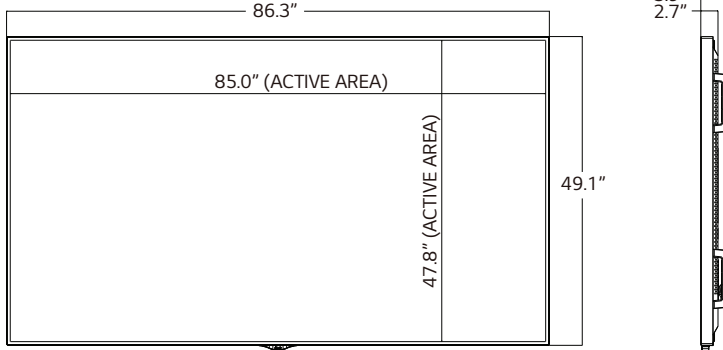


LG is committed to improving product development, manufacturing and usage to meet the demand for products with environmentally friendlier features. Our televisions have technologies to reduce power consumption and in return increase cost savings per room.

EcoSmart

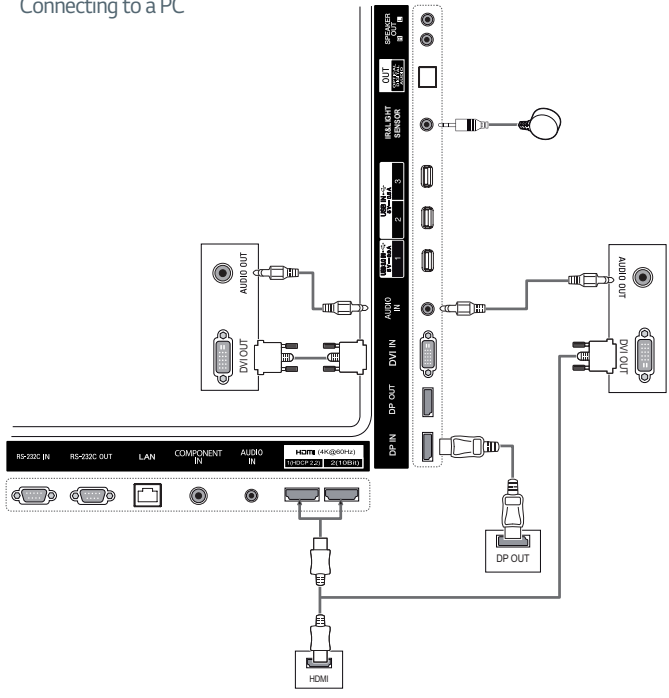
- **Dynamic Power Savings** - Using built-in algorithms, TV will automatically reduce the power consumption based on incoming video, while maximizing picture performance.
- **Static Power Savings** - Picture brightness level can be set at the preferred power consumption level to reduce power and increase energy savings.
- **CEC Compliant** - Meets the Appliance Efficiency Regulations of the California Energy Commission.
- **RoHS Compliant** - Meets directive on restriction of hazardous substances.
- **Energy Star 6.0 Qualified** - Meets current reduction requirements of energy consumption.

98LS95A-5B

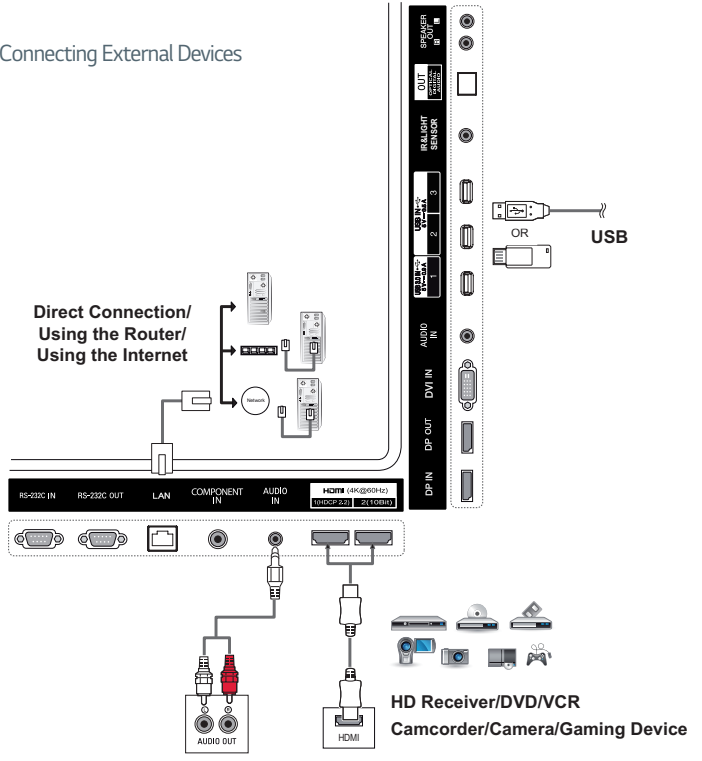


Wall Mount Screw
4 - M8, L 16.0 (MAX)

Connecting to a PC



Connecting External Devices



HD Receiver/DVD/VCR
Camcorder/Camera/Gaming Device

Ultra HD Display with webOS™

▶ 98LS95A-5B

98" class (97.52" diagonal)



PANEL	MODEL	98LS95A-5B
	Screen Size	98" class (97.52" diagonal)
	Panel Technology	IPS
	Aspect Ratio	16:9
	Native Resolution	3,840 x 2,160 (UHD)
	Pixels (H x V x 3)	24,883,200
	Brightness	500cd/m2
	Contrast Ratio	1,200:1 (TBD)
	Dynamic CR	500,000:1
	Viewing Angle (H x V)	178 x 178
	Color Depth	1.06B
	Response Time	8ms (G to G) typ.
	Surface Treatment	Anti-reflection Treatment of the Front Polarizer (Reflectance < 2%)
	Orientation	Portrait & Landscape
CONNECTIVITY	Input	
	Digital	HDMI(2), DP(1), DVI-D(1)
	Audio	DVI-D, Component
	External Control	RS232C(1), RJ45(1), IR / Light sensor(1)
	USB	Yes(3) USB 3.0 : 1EA USB 2.0 : 2EA
	HDTV Formats	HDMI, Display Port : 720p, 1,080i, 1,080p, 2,160p (HDMI.1 : Up to 60Hz, Other : Up to 30Hz), DVI : 720p, 1,080i, 1,080p
	Output	
	Digital	DP(1)
	Audio	SPDIF(1)
	External Control	RS232C(1)
AUDIO	Balance	Yes
	Audio Power	20W (10W x 2) for External Speaker
	Speaker On/Off	Yes
	Clear Voice II	Yes
	Sound Mode	Standard, News, Music, Cinema, Sport, Game
SPECIAL FEATURES	Temperature Sensor	Yes
	Auto Brightness Sensor	Yes
	Source Selection	DVI-D, HDMI, Display Port, USB
	Brightness / Contrast / Backlight	Yes
	Position / Size	Yes
	Auto Config / Phase	Yes
	Advanced	Dynamic Contrast, Dynamic Color, Clear White, Skin Color, Noise Reduction, Digital Noise Reduction, Gamma, Black Level
	Time	Clock, On/Off Time, Sleep Timer, Power on Delay, Auto Off, Automatic Standby
	Information	Model / Type, Software Version, Serial Number, IP Address, Temperature, Power On/Off History, Homepage
	Input Label	Yes (PC / DTV)
	Auto Power / Source Memory	Yes
	Key Lock	Yes
	DPM Select	Yes
	Energy Saving	Yes (Auto, Minimum, Medium, Maximum, Screen Off)
	Smart Energy Saving	Yes
	File Play with USB	Yes
	Internal Memory	8GB (System 4GB + Available 4GB)
	Wi-Fi	Dongle Ready
	4K Up Scaling	Yes

CABINET	MODEL	98LS95A-5B
	Color	Black
	Bezel Width	Even bezel: 14.9mm
	Monitor Dimension (W x H x D)	86.3" x 49.1" x 2.7" (2,191.8mm x 1,246.8mm x 69.4mm)
	Weight	194.0 lbs (88kg)
	Carton Dimensions (W x H x D)	92.2" x 54.6" x 15.8" (2,342mm x 1,386mm x 402mm)
	Packed Weight	271.2 lbs (123kg)
	VESA™ Standard Mount Interface	800 x 400 mm
ENVIRONMENT CONDITIONS	Operation Temperature	0 °C to 40 °C
	Operation Humidity	10 % to 80 %
POWER	Power Supply	100-240V~, 50/60Hz
	Power Type	Built-In Power
	Power Consumption	400W
	Smart Energy Saving Off / On	280W
	DPM	2W (DVI-D, HDMI, DP)
	Power off	0.5W
STANDARD (CERTIFICATION)	Safety	UL / cUL / CB / TUV / KC
	EMC	FCC Class "A" / CE / KCC
MEDIA PLAYER COMPATIBILITY	ErP / Energy Star	NA / NA (Energy Star 6.0)
	Operation Humidity	NA / NA (Energy Star 6.0)
SOFTWARE COMPATIBILITY	External Media player Attachable	Yes (MP500/MP700)
	SuperSign-w lite	Yes
SuperSign-c	Yes	
ACCESSORIES	Accessory	Remote Control (includes batteries (2 ea.)), Power Cord, IR / Light sensor receiver, CD (Owner's Manual, SuperSign Program / Manual), HDMI 2.0 Cable, DP cable, Phone jack to BNC cable, RS-232C, Wi-Fi Dongle, EYE-bolt
	Optional Accessory	SP-2200 (External Speaker)
UPC		7 19192 19486 1
WARRANTY	3-Year Limited Warranty Parts/Labor/Backlight	



LG Electronics U.S.A., Inc.
HE B2B Division
2000 Millbrook Drive
Lincolnshire, IL 60069

Customer Service: 888.865.3026
www.LGsolutions.com/support

Contact your LG Regional Sales Representative:
Channel: 800.897.8871
Hospitality: 800.228.1236
E-mail: info@LGsolutions.com

SPEC_98LS95A_5B_111411_PR



All screen images are simulated. Dimensions and weights are approximate. Design, specifications, and features subject to change without notice.

© Copyright 2014 LG Electronics USA, Inc. All Rights Reserved. "LG Life's Good" is a registered trademark of LG Corp.

ENERGY STAR is a registered trademark of the U.S. Environmental Protection Agency. In Plane Switching is a trademark of LG Display Co., LTD. Java is a trademark of Oracle, Inc. Adobe and Flash are either registered trademarks or trademarks of Adobe Systems Incorporated in the United States and/or other countries. VESA is a trademark of Video Electronics Standards Association. HDMI, the HDMI logo and High-Definition Multimedia Interface are trademarks or registered trademarks of HDMI Licensing LLC.

All other product and brand names are trademarks or registered trademarks of their respective companies.

Printed in the USA. December 2014