

TOURNADO™

IP COB



IP65

SUITABLE FOR OUTDOOR USE



Blizzard Lighting, LLC
www.blizzardlighting.com
Waukesha, WI USA
Copyright (c) 2014

TABLE OF CONTENTS

| | |
|---|-----------|
| TOURnado™ IP COB | 1 |
| 1. Getting Started | 3 |
| What's In The Box? | 3 |
| Getting It Out Of The Box | 3 |
| Powering Up! | 3 |
| Getting A Hold Of Us | 3 |
| Safety Instructions (Don't Stick Your Hand In The Toaster!) | 4 |
| 2. Meet The TOURnado™ IP COB | 5 |
| Features | 5 |
| DMX Quick Reference | 5 |
| The TOURnado™ IP COB Pin-up Picture | 6 |
| 3. Setup | 7 |
| Fuse Replacement | 7 |
| Connecting A Bunch Of TOURnado™ IP COB Fixtures | 7 |
| Data/DMX Cables | 7 |
| Cable Connectors | 8 |
| 3-Pin??? 5-Pin??? Huh? | 8 |
| Take It To The Next Level: Setting up DMX Control | 8 |
| Fixture Linking (Master/Slave Mode) | 9 |
| Mounting/Rigging | 9 |
| 4. Operating Adjustments | 10 |
| Navigating The Control Panel | 10 |
| Control Panel Menu Structure | 11 |
| DMX Mode | 12 |
| Set The Starting DMX Address | 12 |
| Select the DMX Channel Mode | 12 |
| Slave Mode | 12 |
| Auto, Stand-Alone, & Built-in Program Modes | 12 |
| Auto Mode | 12 |
| Stand-Alone (Program) Mode | 12 |
| Built-in Program Speed | 12 |
| Flash/Fade Modes | 12 |
| Manual Color Adjustment | 12 |
| Dimming Modes | 13 |
| DMX Channel Values In-Depth | 13 |
| Troubleshooting | 14 |
| 5. Appendix | 15 |
| A Quick DMX Lesson | 15 |
| Keeping Your TOURnado™ IP COB As Good As New | 16 |
| Returns (Gasp!) | 16 |
| Shipping Issues | 16 |
| Tech Specs | 17 |
| Dimensional Drawings | 18 |

1. GETTING STARTED

What's In The Box?

- 1 x TOURnado™ IP COB Professional LED PAR Fixture
- 1 x IP Rated AC power cord with cable cap
- 1 x Set of IP Rated DMX in/out cables
- This Lovely User Manual

Optional Accessories (sold separately)

The following accessories are available for this fixture. But the lone wolves that they are, they must be purchased separately. Contact your authorized Blizzard Lighting dealer for pricing!

- CABLE_TOURData1M: 1-Meter IP-Rated DMX Extension Cable
- CABLE_TOURPower1M: 1-Meter IP-Rated Power Extension Cable
- CABLE_TOURData3M: 3-Meter IP-Rated DMX Extension Cable
- CABLE_TOURPower3M: 3-Meter IP-Rated Power Extension Cable
- CABLE_TOURData5M: 5-Meter IP-Rated DMX Extension Cable
- CABLE_TOURPower5M: 5-Meter IP-Rated Power Extension Cable

Getting It Out Of The Box

Congratulations! You're now the proud owner of one tough, slightly pumpkin shaped PAR fixture! And now that you've got your TOURnado™ (or hopefully, TOURnados!), you should carefully unpack the box and check the contents to ensure that all parts are present and in good condition. If anything looks as if it has been damaged in transit, notify the shipper immediately and keep the packing material for inspection. Again, please save the carton and all packing materials. If a fixture must be returned to the factory, it is important that the fixture be returned in the original factory box and packing.

Powering Up!

All fixtures must be powered directly off a switched circuit and **cannot be run off a rheostat (variable resistor) or dimmer circuit, even if the rheostat or dimmer channel is used solely for a 0% to 100% switch.**

AC Voltage Switch - Not all fixtures have a voltage select switch, so please verify that the fixture you receive is suitable for your local power supply. See the label on the fixture or refer to the fixture's specifications chart for more information. A fixture's listed current rating is its average current draw under normal conditions. Check the fixture or device carefully to make sure that if a voltage selection switch exists that it is set to the correct line voltage you will use.

Warning! Verify that the voltage select switch on your unit matches the line voltage applied. Damage to your fixture may result if the line voltage applied does not match the voltage indicated on the voltage selector switch. All fixtures must be connected to circuits with a suitable Ground (Earthing).

Getting A Hold Of Us

If something is wrong, just open a support ticket at www.blizzardlighting.com/tickets. We'll be happy to help, honest.

Blizzard Lighting
N16 W23390 Stoneridge Dr. Ste E
Waukesha, WI 53188 USA
www.blizzardlighting.com
414-395-8365

Disclaimer: The information and specifications contained in this document are subject to change without notice. Blizzard Lighting™ assumes no responsibility or liability for any errors or omissions that may appear in this user manual. Blizzard Lighting™ reserves the right to update the existing document or to create a new document to correct any errors or omissions at any time. You can download the latest version of this document from www.blizzardlighting.com.

| Author: | Date: | Last Edited: | Date: |
|-----------|----------|--------------|-----------|
| J. Thomas | 8/8/2014 | J. Thomas | 8/12/2014 |

SAFETY INSTRUCTIONS



Please read these instructions carefully. They include important information about the installation, usage and maintenance of this product.

- Please keep this User Guide for future use. If you sell the unit to someone else, be sure that they also receive this User Guide.
- ALWAYS make sure that you are connecting to the proper voltage, and that the line voltage you are connecting to is not higher than that stated on the decal or rear panel of the fixture.
- Make sure there are no flammable materials close to the unit while operating.
- The unit must be installed in a location with adequate ventilation, at least 20in (50cm) from adjacent surfaces.
- ALWAYS disconnect from the power source before servicing or replacing fuse and be sure to replace with same fuse size and type.
- ALWAYS secure fixture using a safety chain. NEVER carry the fixture by its cord. Use its carrying handles.
- DO NOT operate at ambient temperatures higher than 104°F (40°C).
- In the event of a serious operating problem, stop using the unit immediately. NEVER try to repair the unit by yourself. Repairs carried out by unskilled people can lead to damage or malfunction. Please contact the nearest authorized technical assistance center. Always use the same type spare parts.
- NEVER connect the device to a dimmer pack.
- Make sure the power cord is never crimped or damaged.
- Never disconnect the power cord by pulling or tugging on the cord.
- Avoid direct eye exposure to the light source while it is on.

Caution! There are no user serviceable parts inside the unit. Do not open the housing or attempt any repairs yourself. In the unlikely event your unit may require service, please contact Blizzard Lighting at www.blizzardlighting.com/tickets.

2. MEET THE TOURNADO™ IP COB LED PAR

CONTROL FEATURES

- RGB color mixing via 1x 80W COB LED
- LED control panel with 4 touch sensitive electronic buttons
- Bright output with 60° beam angle
- Variable electronic dimming & strobe
- Built-in color & chase macros via DMX
- Built-in automated programs via master/slave
- RGB color mixing ability in standalone mode
- RGB & Strobe (4-Ch), Dimmer, RGB & Strobe (5-Ch), & Extended with Dimmer, RGB, Strobe, & 32-bit dimming (8-Ch) DMX Profiles

ADDITIONAL FEATURES

- Rugged and well-built (It hits the gym regularly)
- Convection cooled cast aluminum housing
- Dual mounting brackets for positioning flexibility
- Flicker-free constant-current 600Hz LED driver
- IP rated locking power and 3-pin DMX connections

DMX Quick Reference - 8 / 5 Channel Mode

| Channel | 8 Channel | 5 Channel |
|---------|----------------------|-----------------|
| 1 | Dimmer | Dimmer |
| 2 | Red Intensity | Red Intensity |
| 3 | Green Intensity | Green Intensity |
| 4 | Blue Intensity | Blue Intensity |
| 5 | Strobe | Strobe |
| 6 | Static Colors + Auto | --- |
| 7 | Built-in Programs | --- |
| 8 | 32-bit Dimming | --- |

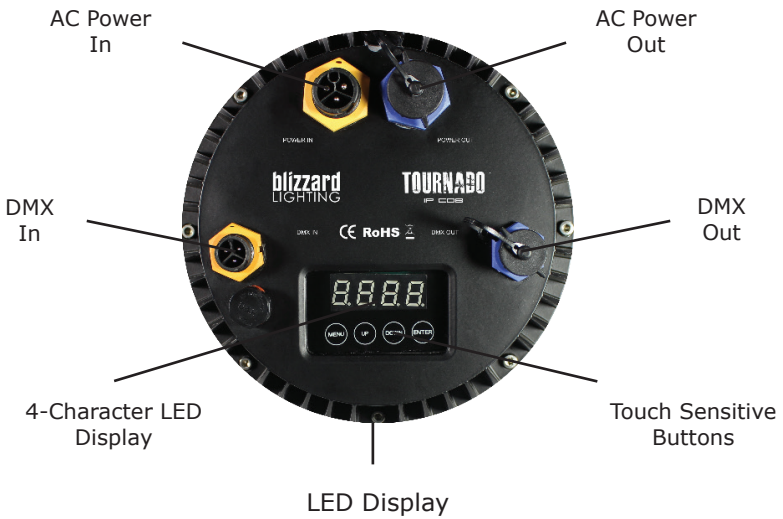
DMX Quick Reference - 4 Channel Mode

| Channel | 4 Channel |
|---------|-----------------|
| 1 | Red Intensity |
| 2 | Green Intensity |
| 3 | Blue Intensity |
| 4 | Strobe |

Figure 1: The TOURnado™ IP COB Pin-Up Picture



Figure 2: The Rear Connections



3. SETUP



Before replacing a fuse, disconnect power cord. ALWAYS replace with the same type and rating of fuse.

Fuse Replacement

CAUTION! The TOURnado™ IP COB utilizes a high-output switch-mode power supply with an internal fuse. Under normal operating conditions, the fuse should not require replacement. The fuse is field replaceable, however it is an advanced procedure suited to qualified individuals. Should your TOURnado™ IP COB fuse require replacement, please contact Blizzard Lighting for instructions, or to return your unit for service.

Connecting A Bunch of TOURnado™ IP COB Fixtures

You will need a serial data link to run light shows using a DMX-512 controller or to run shows on two or more fixtures set to sync in master/slave operating mode. The combined number of channels required by all the fixtures on a serial data link determines the number of fixtures the data link can support.

Fixtures on a serial data link must be daisy chained in one single line. Also, connecting more than 32 fixtures on one serial data link without the use of a DMX optically-isolated splitter may result in deterioration of the digital DMX signal.

The maximum recommended cable-run distance is 500 meters (1640 ft). The maximum recommended number of fixtures on a serial data link is 32 fixtures.

Data/DMX Cabling

To link fixtures together you'll need data cables. You should use data-grade cables that can carry a high quality signal and are less prone to electromagnetic interference.

For instance, Belden© 9841 meets the specifications for EIA RS-485 applications. Standard microphone cables will "probably" be OK, but note that they cannot transmit DMX data as reliably over long distances. In any event, the cable should have the following characteristics:

2-conductor twisted pair plus a shield

Maximum capacitance between conductors – 30 pF/ft.

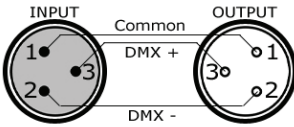
Maximum capacitance between conductor & shield – 55 pF/ft.

Maximum resistance of 20 ohms / 1000 ft.

Nominal impedance 100 – 140 ohms

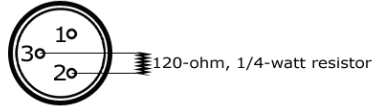
Cable Connectors

Cables must have a male XLR connector on one end and a female XLR connector on the other end. (Duh!)



A Word on Termination: DMX is a resilient communication protocol, however errors still occasionally occur. Termination reduces signal errors, and therefore best practices include use of a terminator in all circumstances. If you are experiencing problems with erratic fixture behavior, especially over long signal cable runs, a terminator may help improve performance.

To build your own DMX Terminator:
Obtain a 120-ohm, 1/4-watt resistor, and wire it between pins 2 & 3 of the last fixture. They are also readily available from specialty retailers.



CAUTION: Do not allow contact between the common and the fixture's chassis ground. Grounding the common can cause a ground loop, and your fixture may perform erratically. Test cables with an ohm meter to verify correct polarity and to make sure the pins are not grounded or shorted to the shield or each other.

3-Pin??? 5-Pin??? Huh?!?

If you use a controller with a 5 pin DMX output connector, you will need to use a 5 pin to 3 pin adapter. They are widely available over the internet and from specialty retailers. If you'd like to build your own, the chart below details a proper cable conversion:

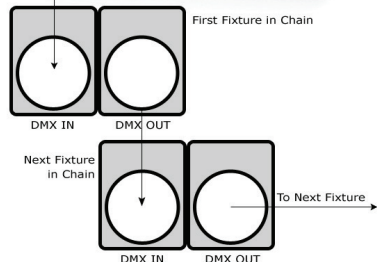
| Conductor | 3-Pin Female (Output) | 5-Pin Male (Input) |
|---------------|-----------------------|--------------------|
| Ground/Shield | Pin 1 | Pin 1 |
| DMX Data (-) | Pin 2 | Pin 2 |
| DMX Data (+) | Pin 3 | Pin 3 |
| Not Used. | No Connection. | No Connection. |
| Not Used. | No Connection. | No Connection. |

Take It To The Next Level: Setting Up DMX Control

Step 1: Connect the male connector of the DMX cable to the female connector (output) on the controller.



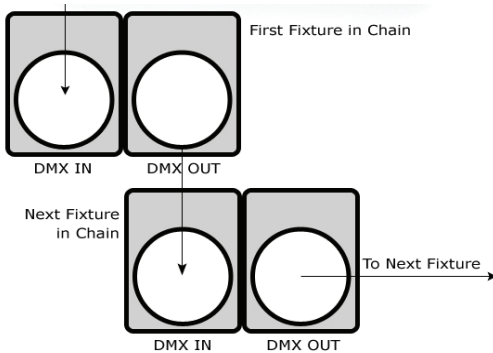
Step 2: Connect the female connector of the DMX cable to the first fixture's male connector (input). *Note:* It doesn't matter which fixture address is the first one connected. We recommend connecting the fixtures in terms of their proximity to the controller, rather than connecting the lowest fixture number first, and so on.



Step 3: Connect other fixtures in the chain from output to input as above. Place a DMX terminator on the output of the final fixture to ensure best communication.

Fixture Linking (Master/Slave Mode)

1. Connect the (male) 3 pin connector side of the DMX cable to the output (female) 3 pin connector of the first fixture.
2. Connect the end of the cable coming from the first fixture which will have a (female) 3 pin connector to the input connector of the next fixture consisting of a (male) 3 pin connector. Then, proceed to connect from the output as stated above to the input of the following fixture and so on.



A quick note: Often, the setup for Master-Slave and Standalone operation requires that the first fixture in the chain be initialized for this purpose via either settings in the control panel or DIP-switches. Secondly, the fixtures that follow may also require a slave setting.

Check the **“Operating Adjustments”** section in this manual for complete instructions for this type of setup and configuration.

Mounting & Rigging

This fixture may be mounted in any SAFE position provided there is enough room for ventilation.

It is important never to obstruct the fan or vents pathway. Mount the fixture using a suitable “C” or “O” type clamp. The clamp should be rated to hold at least 10x the fixture’s weight to ensure structural stability. Do not mount to surfaces with unknown strength, and ensure properly “rated” rigging is used when mounting fixtures overhead.

Adjust the angle of the fixture by loosening both knobs and tilting the fixture. After finding the desired position, retighten both knobs.

- When selecting installation location, take into consideration lamp replacement access (if applicable) and routine maintenance.
- Safety cables **MUST ALWAYS** be used.
- Never mount in places where the fixture will be exposed to rain, high humidity, extreme temperature changes or restricted ventilation.

4. OPERATING ADJUSTMENTS

The Control Panel

All the goodies and different modes possible with the TOURnado™ IP COB LED are accessed by using the control panel on the rear of the fixture. There are 4 control buttons below the LED display which allow you to navigate through the various control panel menus.

<MENU>

Is used to navigate to the previous higher-level menu item.

<UP>

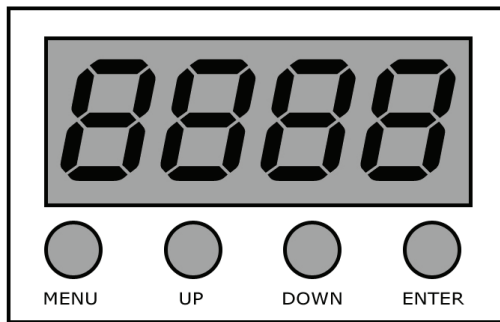
Scrolls through menu items and numbers in ascending order.

<DOWN>

Scrolls through menu items and numbers in descending order.

<ENTER>

Is used to select and confirm/store the current selection.



The Control Panel LED Display shows the menu items you select from the menu map on page #11. When a menu function is selected, the display will show immediately the first available option for the selected menu function. To select a menu item, press **<ENTER>**.

Use the **<UP>** and **<DOWN>** buttons to navigate the menu options. Press the **<ENTER>** button to select the menu function currently displayed, or to enable a menu option. To return to the previous option or menu, press the **<MENU>** button.

Control Panel Menu Structure

| | | | |
|---------------|---|--------------------|----------------------------------|
| <i>Addr</i> | → | <i>d001 - d512</i> | To choose the DMX address |
| <i>SLAV</i> | → | <i>SLAV</i> | To run the fixture in slave mode |
| <i>CHnd</i> | → | <i>8CH</i> | 8 channel DMX mode |
| | → | <i>5CH</i> | 5 channel DMX mode |
| | → | <i>4CH</i> | 4 channel DMX mode |
| <i>modE</i> | → | <i>nod0 - nod4</i> | Dimming mode (0-4) |
| <i>SP ---</i> | → | <i>SP00 - SP15</i> | Speed adjustments (0-15) |
| <i>Pr ---</i> | → | <i>Pr00 - Pr07</i> | Built-in programs (0-7) |
| <i>ASC -</i> | → | <i>AC00 - AC15</i> | Auto mode (0-15) |
| <i>FAde</i> | → | <i>FA00 - FA15</i> | Fade settings (0-15) |
| <i>FLAS</i> | → | <i>FL00 - FL15</i> | Flash / strobe speed (0-15) |
| <i>rL ---</i> | → | <i>r000 - r255</i> | Red dimmer (0% <--> 100%) |
| <i>GL ---</i> | → | <i>G000 - G255</i> | Green dimmer (0% <--> 100%) |
| <i>bL ---</i> | → | <i>b000 - b255</i> | Blue dimmer (0% <--> 100%) |
| <i>LED</i> | → | <i>on - off</i> | Display menu on/off |

IMPORTANT! - As a safety feature, the LED control panel display will automatically shut off and lock after 2 minutes of inactivity. To unlock it, simply hold down any button for 10 seconds.

DMX Mode

Allows the unit to be controlled by any universal DMX controller.

Set the Starting DMX Address:

The default mode for the fixture is DMX, so the first menu item that you can edit is the starting DMX address.

- 1.) Navigate the menu using the **<UP/DOWN>** buttons until you reach **Addr.**
- 2.) Push the **<ENTER>** button.
- 3.) Use the **<UP/DOWN>** buttons to select a DMX channel from **001-512**.
- 4.) Press the **<ENTER>** button to confirm.

Select the DMX Channel Mode:

- 1.) Navigate the menu using the **<UP/DOWN>** buttons until you reach **CHnd.**
- 2.) Push the **<ENTER>** button.
- 3.) Use the **<UP/DOWN>** buttons to select either **4CH**, **5CH**, or **8CH** mode.
- 4.) Press the **<ENTER>** button to confirm.

Slave Mode:

To synchronize one or more fixtures to follow the actions of the Master fixture (the 1st unit in the DMX chain), perform the following steps on each Slave fixture:

- 1.) Set the DMX address to **d001**.
- 2.) Navigate the menu using the **<UP/DOWN>** button until you reach **SLAU**.
- 3.) Push the **<ENTER>** button.
- 4.) Use the **<UP/DOWN>** buttons to select **SLAU**.
- 5.) Press the **<ENTER>** button to confirm.

Auto, Stand-Alone, & Built-in Program Modes:

Allows a single or Master/Slaved units to run factory installed programs at user selectable speeds.

Auto Mode:

- 1.) Navigate the menu using the **<UP/DOWN>** button until you reach **ASC-**.
- 2.) Push the **<ENTER>** button.
- 3.) Use the **<UP/DOWN>** buttons to select from **AC00-AC15**.
- 4.) Press the **<ENTER>** button to confirm.

Standalone (Program) Mode:

Allows a single unit to display a variety of colors and programs without a DMX controller.

- 1.) Navigate the menu using the **<UP/DOWN>** button until you reach **Pr--**.
- 2.) Push the **<ENTER>** button.
- 3.) Use the **<UP/DOWN>** buttons to select from **Pr00-Pr07**.
- 4.) Press the **<ENTER>** button to confirm.

Flash/Fade Modes:

- 1.) Navigate the menu using the **<UP/DOWN>** buttons until you reach **FLAS** or **FaE**.
- 2.) Push the **<ENTER>** button.
- 3.) Now, you can adjust the flash rate from **FL00-FL15** or the fade speed from **FA00-FA15** with the **<UP/DOWN>** buttons. Press the **<ENTER>** button to confirm.

Built-in Program Speed:

- 1.) Navigate the menu using the **<UP/DOWN>** button until you reach **SP-**.
- 2.) Push the **<ENTER>** button.
- 3.) Use the **<UP/DOWN>** buttons to select from **SP00-SP15**.
- 4.) Press the **<ENTER>** button to confirm.

Manual Color Adjustment:

- 1.) Navigate the menu using the **<UP/DOWN>** button until you reach either **rL--** (Red Level), **gL--** (Green Level) or **bL--** (Blue Level), then hit **<ENTER>**.
- 2.) Using the **<UP/DOWN>** buttons, select the maximum level for each color between **x000-x255** (000=off), then hit **<ENTER>** to confirm.

Dimming Mode

Each allows for different amounts of steps for much smoother (and slower) dimming capabilities.

- 1.) Navigate the menu using the **<UP/DOWN>** buttons until you reach **nodE**.
- 2.) Push the **<ENTER>** button.
- 3.) Use the **<UP/DOWN>** buttons to select **nod0-nod4**.
- 4.) Press the **<ENTER>** button to confirm.

DMX Values In-Depth (8-Channel Mode)

| Channel | Value | What It Does |
|---------|--|--|
| 1 | 000 <--> 255 | Dimmer (0% <--> 100%) |
| 2 | 000 <--> 255 | Red Intensity (0% <--> 100%) |
| 3 | 000 <--> 255 | Green Intensity (0% <--> 100%) |
| 4 | 000 <--> 255 | Blue Intensity (0% <--> 100%) |
| 5 | 000 <--> 010 011 <--> 255 | Strobe No Function Strobe (Slow <--> Fast) |
| 6 | 000 <--> 015 016 <--> 044 045 <--> 074 075 <--> 104 105 <--> 134 135 <--> 164 165 <--> 194 195 <--> 224 225 <--> 255 | Static Colors + Auto Mode Dimming Red Green Blue Red+Green Red+Blue Green+Blue Red+Green+Blue Auto Run (Slow <--> Fast) |
| 7 | 000 <--> 015 016 <--> 255 | Auto Mode No Function Color Jump (Slow <--> Fast) |
| 8 | 000 <--> 005 006 <--> 055 056 <--> 105 106 <--> 155 156 <--> 205 206 <--> 255 | 32-Bit Dimmer As set in the control menu display Mode 0 = 8-bit, 256 dimming steps Mode 1 = 32-bit, 0-25% intensity range Mode 2 = 32-bit, 0-50% intensity range Mode 3 = 32-bit, 0-75% intensity range Mode 4 = 32-bit, full intensity dimming |

DMX Values In-Depth (5-Channel Mode)

| Channel | Value | What It Does |
|---------|------------------------------|--|
| 1 | 000 <--> 255 | Dimmer (0% <--> 100%) |
| 2 | 000 <--> 255 | Red Intensity (0% <--> 100%) |
| 3 | 000 <--> 255 | Green Intensity (0% <--> 100%) |
| 4 | 000 <--> 255 | Blue Intensity (0% <--> 100%) |
| 6 | 000 <--> 010 011 <--> 255 | Strobe Strobe Off Strobe (Slow <--> Fast) |

DMX Values In-Depth (4-Channel Mode)

| Channel | Value | What It Does |
|---------|------------------------------|--|
| 1 | 000 <--> 255 | Red Intensity (0% <--> 100%) |
| 2 | 000 <--> 255 | Green Intensity (0% <--> 100%) |
| 3 | 000 <--> 255 | Blue Intensity (0% <--> 100%) |
| 4 | 000 <--> 010 011 <--> 255 | Strobe Strobe Off Strobe (Slow <--> Fast) |

Troubleshooting

| Symptom | Solution |
|---|--|
| Fixture Auto-Shut Off | Check the fan in the fixture. If it is stopped or moving slower than normal, the unit may have shut itself off due to high heat. This is to protect the fixture from overheating. Clear the fan of obstructions, or return the unit for service. |
| Beam is Dim | Check optical system and clean excess dust/grime. Also ensure that the 220V/110V switch is in the correct position, if applicable. |
| No Light Output | Check to ensure fixture is operating under correct mode, IE sound active/auto/DMX/Etc., if applicable. |
| Chase Speed Too Fast/Slow | Check to ensure proper setup of speed adjustment. |
| No Power | Check fuse, AC cord and circuit for malfunction. |
| Blown Fuse | Check AC cord and circuit for damage, verify that moving parts are not restricted and that unit's ventilation is not obstructed |
| Slow Movement | Verify that 220V/110V switch is in the correct position, if applicable. Also check that speed channels are set appropriately. |
| No Response to Audio | Verify that the fixture is in "Sound Active" mode. Adjust Audio Sensitivity, If Applicable. |
| Fixture Not Responding / Responding Erratically | Make sure all connectors are seated properly and securely. Use Only DMX Cables and/or check cables for defects Install a Terminator. Reset fixture(s). |
| Intermittent Lamp | Check lamp for properly installation. Relamp, lamp may have reached end of life. |
| Remote Doesn't Work | Verify remote control cable is installed properly and securely. Verify remote is correct type (CA-9 or other as applicable.) |
| Fixture Moving On Its Own | Verify proper mode of operation. Is the fixture in "Auto" mode? |

If your problem isn't listed, or if problems persist, please open a support ticket at www.blizzardlighting.com/tickets.

5. APPENDIX

A Quick Lesson On DMX

DMX (aka DMX-512) was created in 1986 by the United States Institute for Theatre Technology (USITT) as a standardized method for connecting lighting consoles to lighting dimmer modules. It was revised in 1990 and again in 2000 to allow more flexibility. The Entertainment Services and Technology Association (ESTA) has since assumed control over the DMX512 standard. It has also been approved and recognized for ANSI standard classification.

DMX covers (and is an abbreviation for) Digital MultipleXed signals. It is the most common communications standard used by lighting and related stage equipment.

DMX provides up to 512 control "channels" per data link. Each of these channels was originally intended to control lamp dimmer levels. You can think of it as 512 faders on a lighting console, connected to 512 light bulbs. Each slider's position is sent over the data link as an 8-bit number having a value between 0 and 255. The value 0 corresponds to the light bulb being completely off while 255 corresponds to the light bulb being fully on.

DMX data is transmitted at 250,000 bits per second using the RS-485 transmission standard over two wires. As with microphone cables, a grounded cable shield is used to prevent interference with other signals.

There are five pins on a DMX connector: a wire for ground (cable shield), two wires for "Primary" communication which goes from a DMX source to a DMX receiver, and two wires for a "Secondary" communication which goes from a DMX receiver back to a DMX source. Generally, the "Secondary" channel is not used so data flows only from sources to receivers. Hence, most of us are most familiar with DMX-512 as being employer over typical 3-pin "mic cables," although this does not conform to the defined standard.

DMX is connected using a daisy-chain configuration where the source connects to the input of the first device, the output of the first device connects to the input of the next device, and so on. The standard allows for up to 32 devices on a single DMX link.

Each receiving device typically has a means for setting the "starting channel number" that it will respond to. For example, if two 6-channel fixtures are used, the first fixture might be set to start at channel 1 so it would respond to DMX channels 1 through 6, and the next fixture would be set to start at channel 7 so it would respond to channels 7 through 12.

The greatest strength of the DMX communications protocol is that it is very simple and robust. It involves transmitting a reset condition (indicating the start of a new "packet"), a start code, and up to 512 bytes of data. Data packets are transmitted continuously. As soon as one packet is finished, another can begin with no delay if desired (usually another follows within 1 ms). If nothing is changing (i.e. no lamp levels change) the same data will be sent out over and over again. This is a great feature of DMX -- if for some reason the data is not interpreted the first time around, it will be re-sent shortly.

Not all 512 channels need to be output per packet, and in fact, it is very uncommon to find all 512 used. The fewer channels are used, the higher the "refresh" rate. It is possible to get DMX refreshes at around 1000 times per second if only 24 channels are being transmitted. If all 512 channels are being transmitted, the refresh rate is around 44 times per second.

In summary, since its design and evolution in the 1980's DMX has become the standard for lighting control. It is flexible, robust, and scalable, and its ability to control everything from dimmer packs to moving lights to foggers to lasers makes it an indispensable tool for any lighting designer or lighting performer.

Keeping Your TOURnado™ IP COB As Good As New

The fixture you've received is a rugged, tough piece of pro lighting equipment, and as long as you take care of it, it will take care of you. That said, like anything, you'll need to take care of it if you want it to operate as designed. You should absolutely keep the fixture clean, especially if you are using it in an environment with a lot of dust, fog, haze, wild animals, wild teenagers or spilled drinks.

Cleaning the optics routinely with a suitable glass cleaner will greatly improve the quality of light output. Keeping the fans free of dust and debris will keep the fixture running cool and prevent damage from overheating.

In transit, keep the fixtures in cases. You wouldn't throw a prized guitar, drumset, or other piece of expensive gear into a gear trailer without a case, and similarly, you shouldn't even think about doing it with your shiny new light fixtures.

Common sense and taking care of your fixtures will be the single biggest thing you can do to keep them running at peak performance and let you worry about designing a great light show, putting on a great concert, or maximizing your client's satisfaction and "wow factor." That's what it's all about, after all!

Returns (Gasp!)

We've taken a lot of precautions to make sure you never even have to worry about sending a defective unit back, or sending a unit in for service. But, like any complex piece of equipment designed and built by humans, once in a while, something doesn't go as planned. If you find yourself with a fixture that isn't behaving like a good little fixture should, you'll need to obtain a Return Authorization (RA).

Don't worry, this is easy. Just go to our website and open a support ticket at www.blizzardlighting.com/tickets, and we'll issue you an RA. Then, you'll need to send the unit to us using a trackable, pre-paid freight method. We suggest using USPS Priority or UPS. Make sure you carefully pack the fixture for transit, and whenever possible, use the original box & packing for shipping.

When returning your fixture for service, be sure to include the following:

- 1.) Your contact information (Name, Address, Phone Number, Email address).
- 2.) The RA# issued to you
- 3.) A brief description of the problem/symptoms.

We will, at our discretion, repair or replace the fixture. Please remember that any shipping damage which occurs in transit to us is the customer's responsibility, so pack it well!

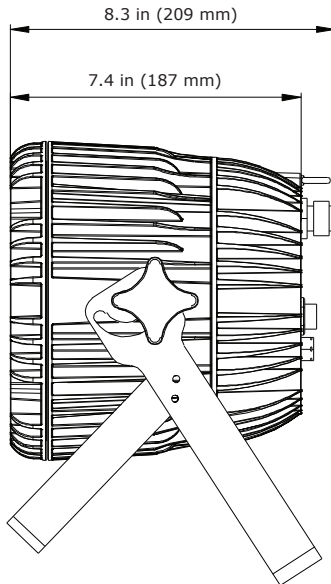
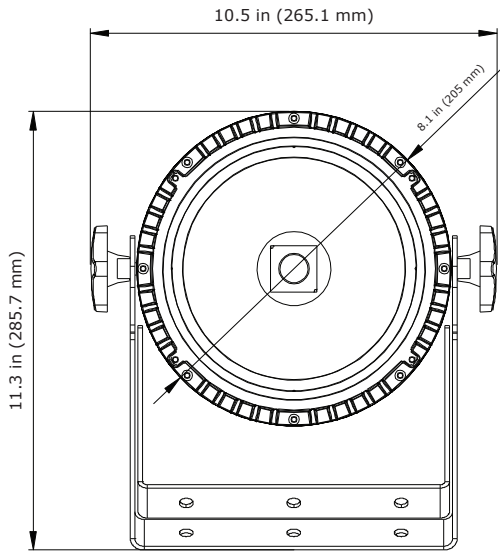
Shipping Issues

Damage incurred in shipping is the responsibility of the shipper, and must be reported to the carrier immediately upon receipt of the items. Claims must be made within seven (7) days of receipt.

Tech Specs!

| Weight & Dimensions | |
|--|---|
| Width | 10.5 inches (26.5 cm) |
| Depth | 7.4 inches (18.7 cm) |
| Height | 8.1 inches (20.5 cm), 11.3 inches (28.6 cm) including bracket height |
| Weight | 8.82 lbs (4 kg) |
| Power | |
| Operating Voltage | AC 100V-264V/47-63HZ |
| Power Consumption | 80-Watts |
| Light Source | |
| LED | 1x 80W RGB COB LED |
| Optical | |
| Beam Angle | 60 degree |
| Luminous Intensity | TBA |
| Thermal | |
| Max. Operating Temp. | 104 degrees F (40 degrees C) ambient |
| Control | |
| Protocol | USITT DMX-512 |
| DMX Channels | 4 / 5 / 8 |
| Input | 3-pin XLR Male |
| Output | 3-pin XLR Female |
| Other Operating Modes | Standalone, Master/Slave, Color Preset |
| Other Information | |
| If two people on opposite sides of the planet both drop a piece of bread, for a brief moment the Earth becomes a sandwich. | |
| Warranty | 2-year limited warranty, does not cover mal-function caused by damage to LED's. |

Dimensional Drawings



This page intentionally left blank.



**Enjoy your product!
Our sincerest thanks for your purchase!
--The team @ Blizzard Lighting**