

PROFESSIONAL PROJECTOR | TH963

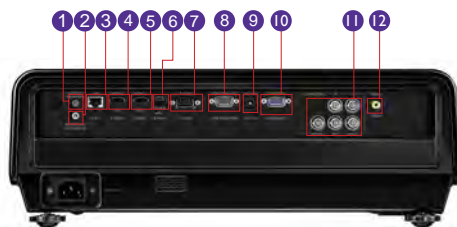


Features

- Native Full HD (1920x1080) Resolution
- 6,000 ANSI Lumens, 8,300:1 Contrast Ratio
- Dual Lamp Design
- Interchangeable Lenses
- H+V Lens Shift and Keystone, 1.5x Zoom
- HDMI x2, RJ45 (LAN Control)



Input and Output Terminals



- | | |
|-------------------------|------------------------------|
| 1 Audio In (Mini Jack) | 7 RS232 (DB-9pin) |
| 2 Audio Out (Mini Jack) | 8 Monitor Out (D-sub 15pin) |
| 3 LAN (RJ45) | 9 DC 12V Trigger (3.5mm) |
| 4 HDMI-2 | 10 Computer In (D-sub 15pin) |
| 5 HDMI-1 | 11 Component Video in (5BNC) |
| 6 USB Mini B | 12 Composite Video In (RCA) |



Specifications

Projection System	DLP®
Native Resolution	1080p (1920 x 1080)
Brightness	6,000 AL
Contrast Ratio	8,300:1
Display Color	1.07 Billion Colors
Lens	F=2.48~2.81, f=24.1~36.15mm
Aspect Ratio	Native 16:9 (5 aspect ratio selectable)
Throw Ratio	1.62~2.43 (55.7" @ 2m)
Image Size Diagonal	28"~300"
Zoom Ratio	1.5:1
Lamp Type	350W x 2
Lamp Life (Normal/Eco Mode)	2000/2500 hours
Keystone Adjustment	2D, Vertical & Horizontal ± 30 degrees
Projection Offset	Vertical: ±120%(±5%); Horizontal: ±40%(±5%)
Resolution Support	VGA (640 x 480) to WUXGA (1920 x 1200)
Horizontal Frequency	31K~92KHz
Vertical Scan Rate	23~85Hz
HDTV Compatibility	480i, 480p, 576i, 576p, 720p, 1080i, 1080p
Video Compatibility	NTSC, PAL, SECAM
Interface	Computer In (D-Sub 15pin) x1 Monitor Out (D-Sub 15 pin) x1 HDMI x 2 Component Video in (5BNC) x 1 Composite Video in (RCA) x 1 Audio in (Mini Jack) x 1 Audio out (Mini Jack) x 1 Speaker 10W x 1 LAN (RJ45) x 1 (LAN Control) USB (Type Mini B) x 1 (Download) 12V Trigger x 1 RS232 (DB-9pin) x 1 IR Receiver x 2 (Front+Rear)
Dimensions (WxHxD)	17.4" x 6.5" x 13.9" mm
Weight	29.7 lbs
Power Supply	AC100 to 240 V, 50 to 60 Hz
Power Consumption	940W (typical), Standby<0.5W
Audible Noise	44/40/41/38 db (Dual Brightness / Dual Reliable / Single Alternative / Single Eco)
On-Screen Display Languages	English/ French/ German/ Italian/ Spanish/ Russian/ Traditional Chinese/ Simplified Chinese/Japanese/ Korean/ Swedish/ Dutch/ Turkish/ Czech/ Portuguese / Thai/ Polish (17 Languages)
Picture Mode	Dynamic/Presentation/sRGB/Cinema/User 1/User 2
Accessories (Standard)	Remote Control w/ Battery, Power Cord, User Manual CD, Quick Start Guide, Warranty Card, VGA(D-sub 15pin) Cable
Accessories (Optional)	Spare Lamp Kit Lamp #1 P/N: 5J.J8C05.001 Lamp #2 P/N: 5J.J8C05.002 Ceiling Mount P/N: 5J.J4N10.001 Remote P/N: 5J.J8A06.001
Limited Warranty	4-Years Parts & Labor / 1-Year or 2000 hours of lamp life
UPC Code / Part #	8400460-2806-0 / 9H.J9D77.16A

*Lamp life results will vary depending on environmental conditions and usage. Actual product's features and specifications are subject to change without notice.

BenQ Lens	P/N	Description	UPC Code
Long Throw Lens	5Jj8C14.001	BenQ Optional Long Throw Lens (T/R 1.93 - 2.9) for SH960+ & TH963 PRJ	8400460-2719-3
Short Throw Lens	5Jj8C14.002	BenQ Optional Short Throw Lens (T/R 0.77) for SH960+ & TH963 PRJ	8400460-2722-3



BenQ America Corp.
www.BenQ.us

BenQ is a registered trademark of BenQ Corp. DLP is a registered trademark of Texas Instruments. All rights reserved. Product names, logos, brands, and other trademarks featured or referred to in this materials are the property of their respective trademark holders. Specifications subject to change without notice.



Because it matters

TH963 Digital Projector

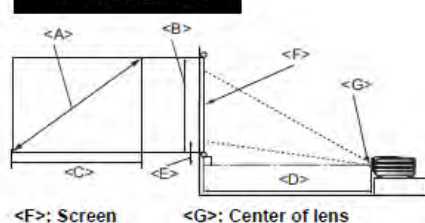
Optional Lens Throw Chart

16:9 Format

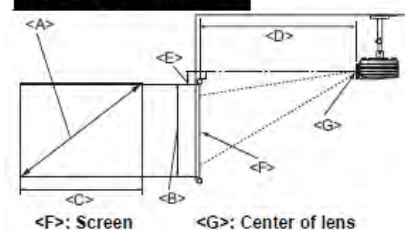
Long Throw Lens P/N: 5JJ8C14.001	Focus range (m)	2.0 ~ 20.0	Image size (")	30 ~ 460	
Diagonal - Inches	Height-Inches	Width - Inches	Min(1.93) Feet	Max(2.9) Feet	Lowest/Highest Lens Position <E>
80	39.22	69.73	11.21	16.85	12
90	44.12	78.44	12.62	18.96	14
100	49.03	87.16	14.02	21.06	16
110	53.93	95.87	15.42	23.17	17
120	58.83	104.59	16.82	25.28	19
130	63.73	113.30	18.22	27.38	20
140	68.64	122.02	19.62	29.49	22
150	73.54	130.74	21.03	31.59	23

Short Throw Lens P/N: 5JJ8C14.002	Focus range (m)	0.5 ~ 3.0	Image size (")	30 ~ 175	
Diagonal - Inches	Height-Inches	Width - Inches	Fixed(.77)	Lowest/Highest Lens Position <E>	
80	39.22	69.73	4.47	12	
90	44.12	78.44	5.03	14	
100	49.03	87.16	5.59	16	
110	53.93	95.87	6.15	17	
120	58.83	104.59	6.71	19	
130	63.73	113.30	7.27	20	
140	68.64	122.02	7.83	22	
150	73.54	130.74	8.39	23	

Floor Installation

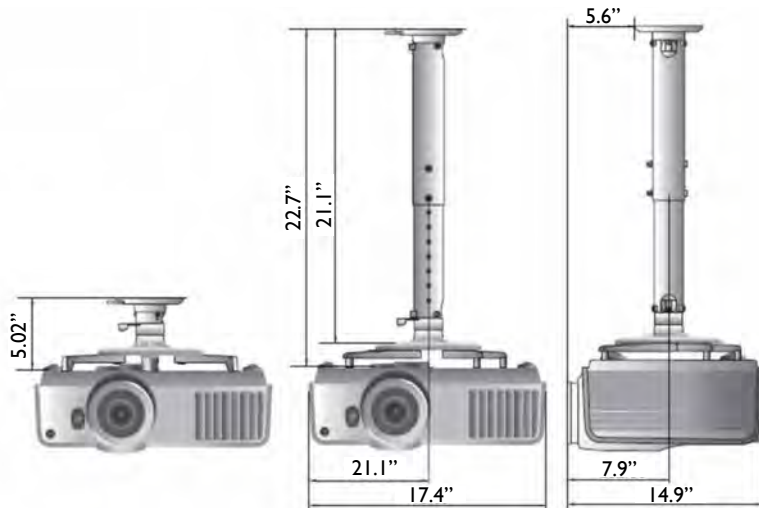
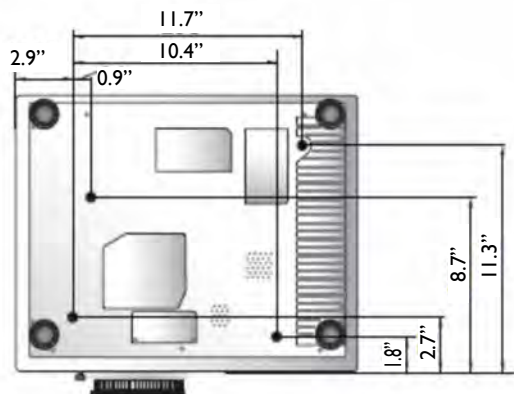


Ceiling Installation



Ceiling Mount Chart

Ceiling Mount Screws M6 x 8 (Max. L-8 mm)



Units: inch

Dimensions



Because it matters