

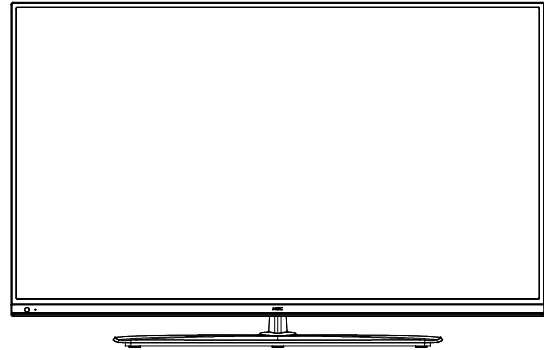
E554 Installation Guide

55" LCD Display

Rev 1.1

Contents

Product Description and Notes	Page 1
Ventilation Recommendations	Page 2
Display Dimensions	
With Stand	Page 3
Front, Top, Right, Left, Bottom	Page 4
Rear	Page 5
Optional Wall Mount Dimensions (WMK-3257)	Page 6
Input Panels	Page 7
Control Codes	Page 8



Product Description

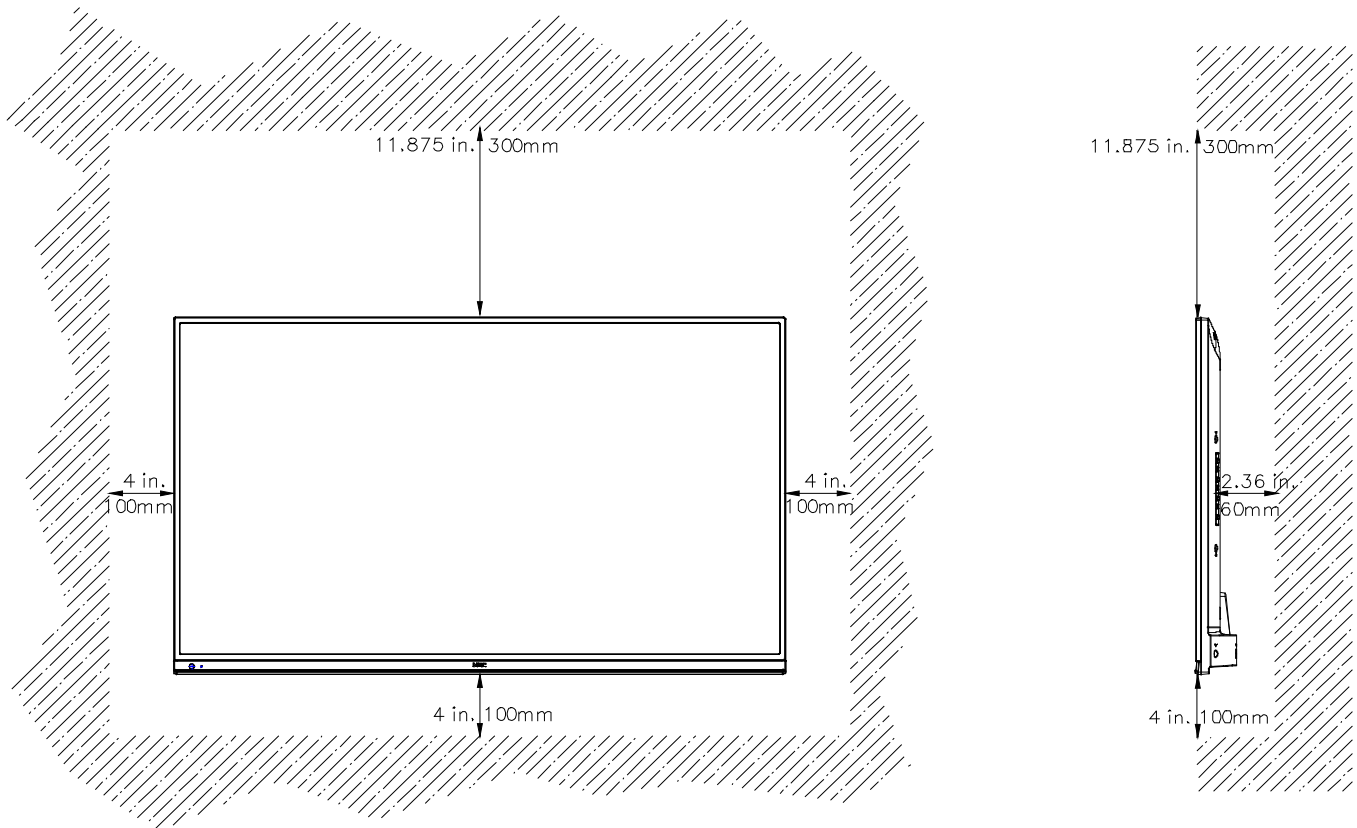
Type:	LCD Display	Screen Surface:	Anti-Reflective
Resolution:	1920 x 1080	Dimensions without stand:	48.86"(W) x 28.94"(H) x 2.63"(D)
Aspect Ratio:	16:9	Dimensions with stand:	48.86"(W) x 31.11"(H) x 10.8"(D)
FCC:	Class B	Weight without stand:	44.5 lbs
Power Consumption:	122W (typ)	Weight with stand:	51.4 lbs
BTU's:	416.28 BTU/hour		

NOTES:

- This document is intended to be used as a reference guide to supply useful information for a design or installation. It is not intended to be a step-by step procedure for installation.
- Any ceilings or walls must be strong enough to support the monitor and the installation must be in accordance with any local building codes. All mounts should make secure contact to wood studs.
- This unit is built to sustain Landscape orientation only.
- Distances are in inches, for millimeters multiply by 25.4.
- Distances may vary $\pm 5\%$.

Ventilation Recommendations

Dimensions below are minimum recommended for proper ventilation.



NOTE:

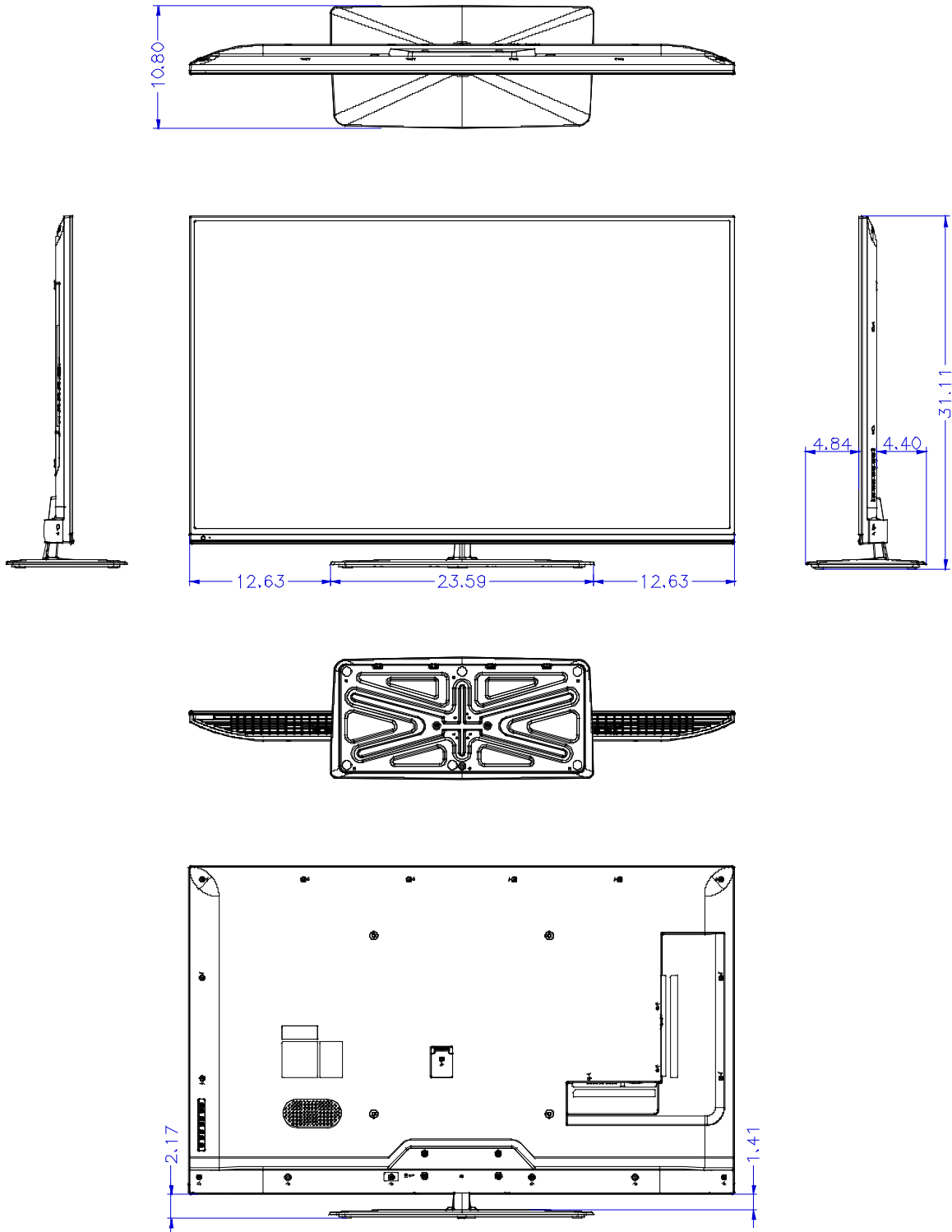
- The ventilation space should not be covered or closed off at the front of the opening. If for some reason the opening needs to be covered, other means of ventilation will need to be incorporated into the design. Contact NEC for design review and recommendations.

E554 Installation Guide

55" LCD Display

Rev 1.1

Display dimensions with stand attached

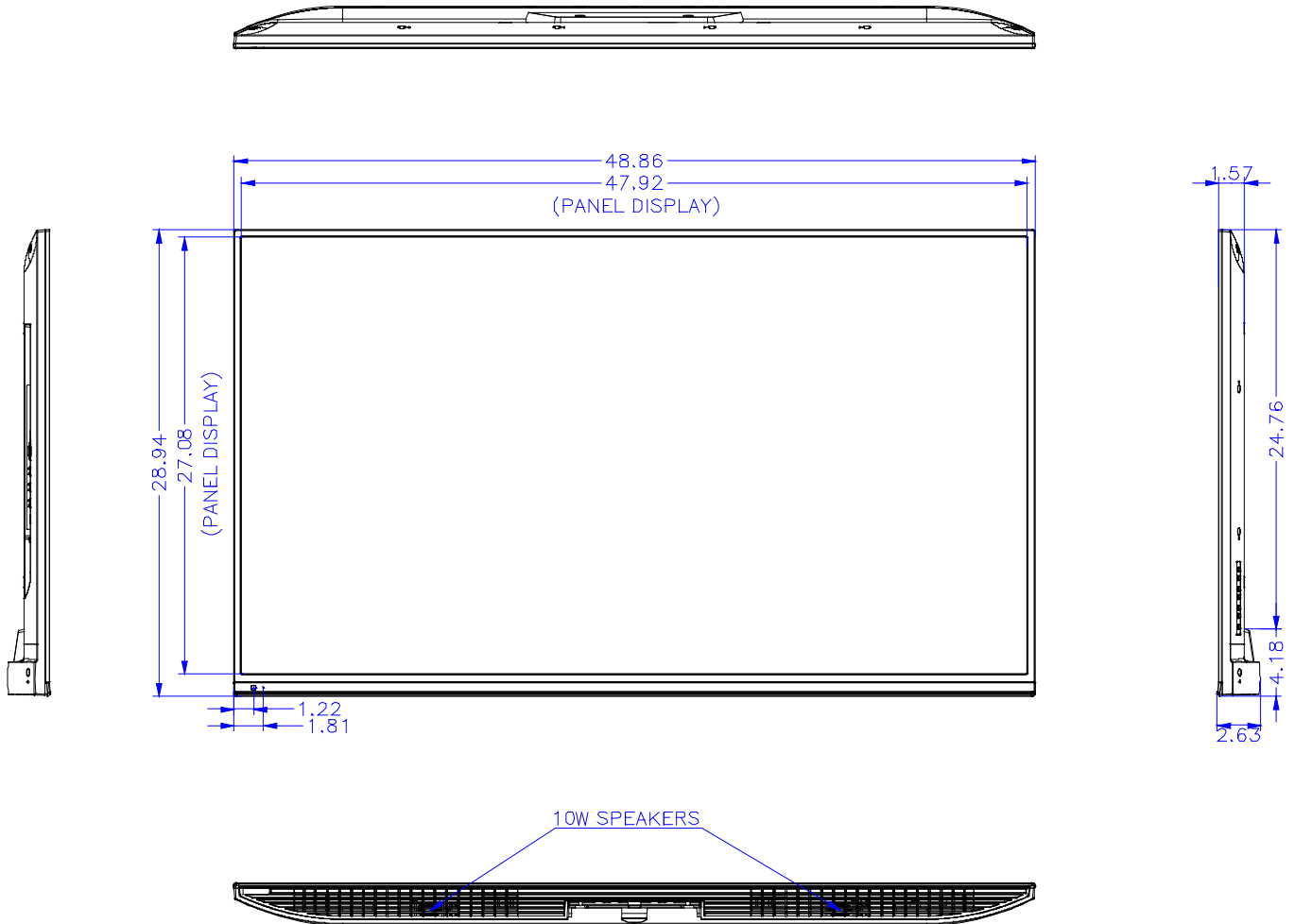


E554 Installation Guide

55" LCD Display

Rev 1.1

Display dimensions

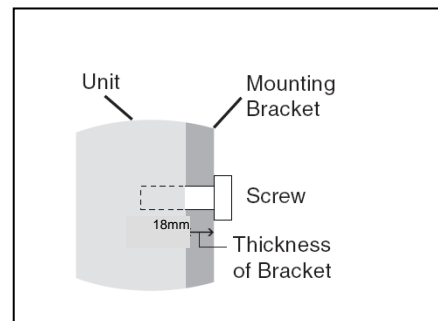
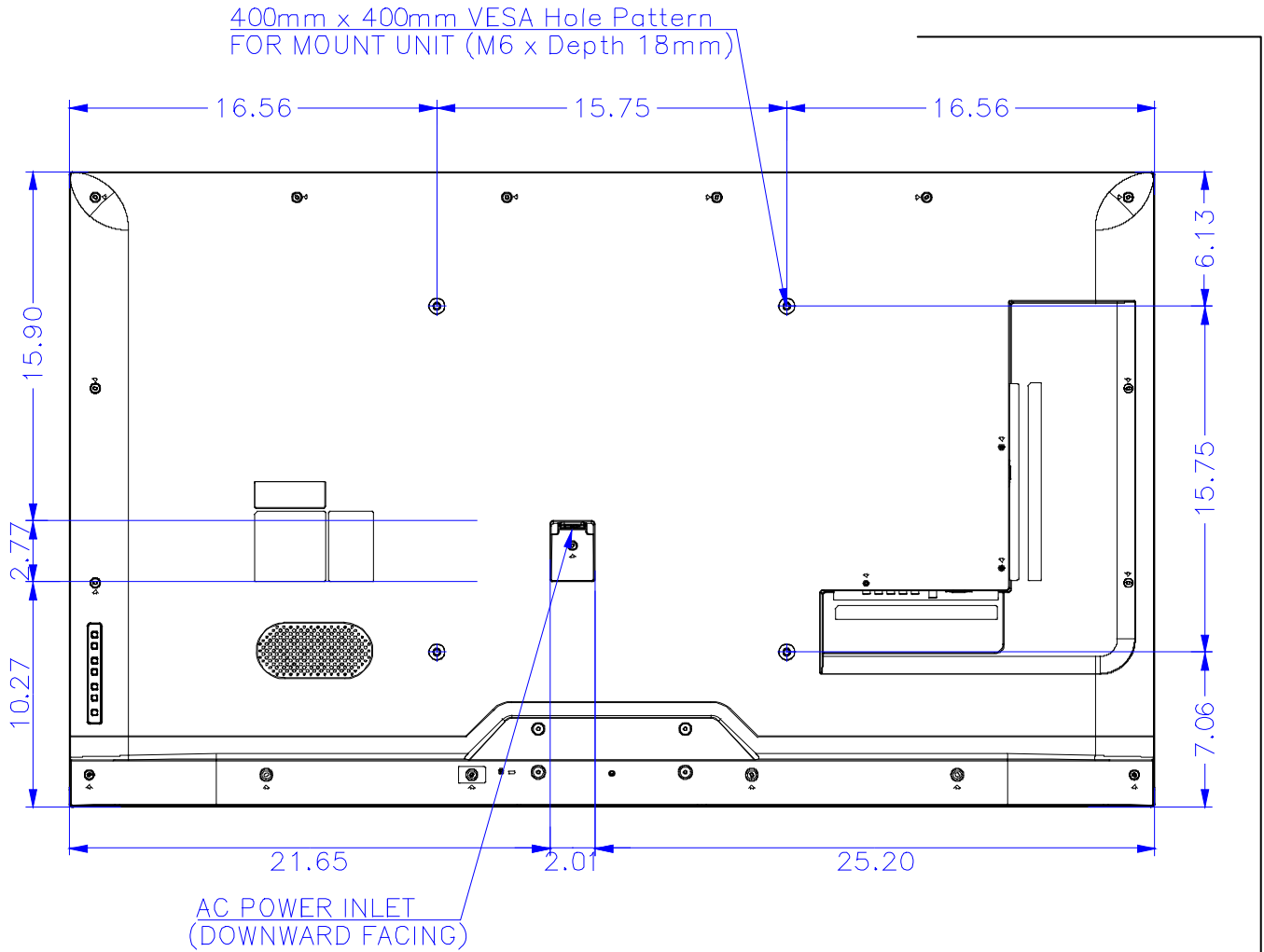


E554 Installation Guide

55" LCD Display

Rev 1.1

Display dimensions

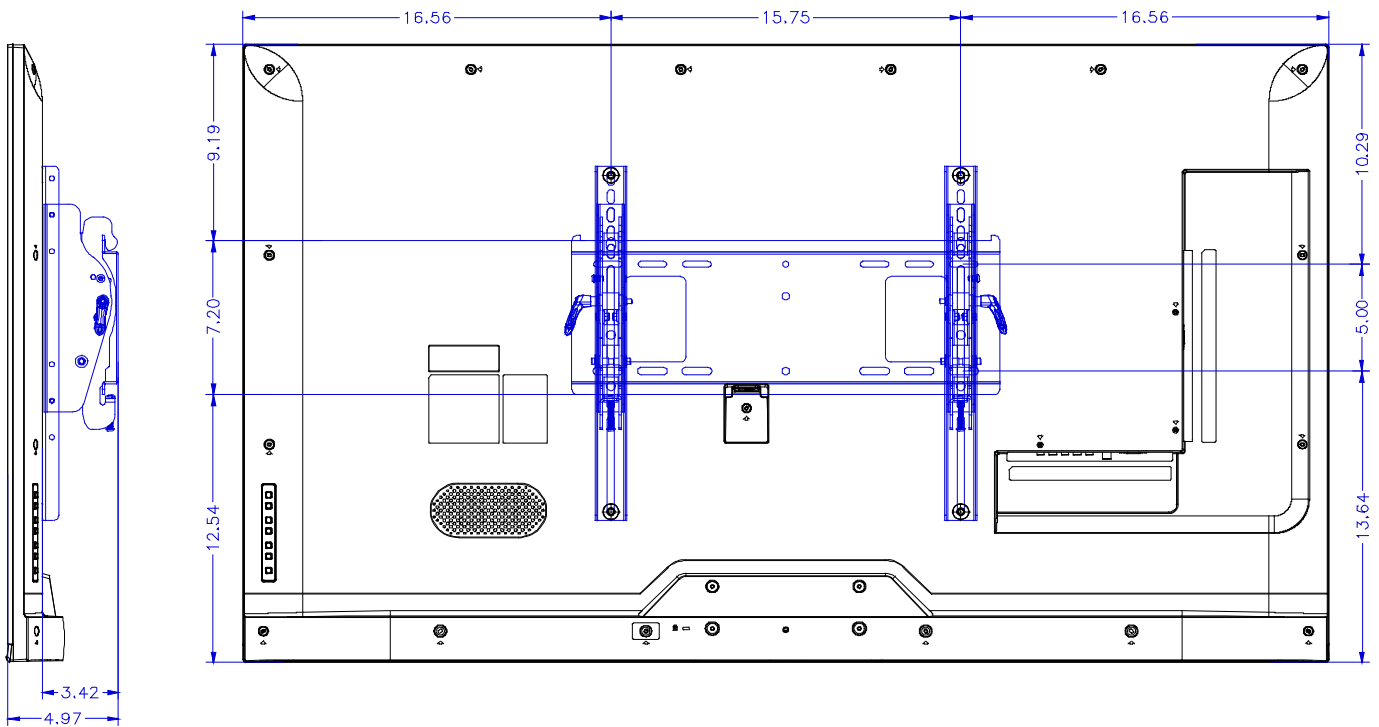


E554 Installation Guide

55" LCD Display

Rev 1.1

Dimensions with optional Wall Mount Kit (WMK-3257)



E554 Installation Guide

55" LCD Display

Rev 1.1

Input Panels

Back:



Side (Rotated):



E554 Installation Guide

55" LCD Display

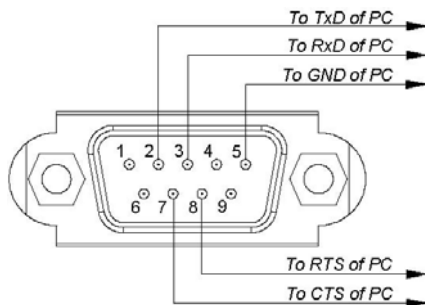
Control Codes

Function		Code Data
POWER	ON	01 30 41 30 41 30 43 02 43 32 30 33 44 36 30 30 30 31 03 73 0D
	OFF	01 30 41 30 41 30 43 02 43 32 30 33 44 36 30 30 30 34 03 76 0D
INPUT SWITCH	VGA (15pin HD)	01 30 41 30 45 30 41 02 30 30 36 30 30 30 30 31 03 73 0D
	HDMI1	01 30 41 30 45 30 41 02 30 30 36 30 30 30 31 31 03 72 0D
	HDMI2	01 30 41 30 45 30 41 02 30 30 36 30 30 30 31 32 03 71 0D
	HDMI3	01 30 41 30 45 30 41 02 30 30 36 30 30 30 31 33 03 70 0D
	Video (Composite)	01 30 41 30 45 30 41 02 30 30 36 30 30 30 30 35 03 77 0D
	TV	01 30 41 30 45 30 41 02 30 30 36 30 30 30 30 30 41 03 03 0D
	Video (Component)	01 30 41 30 45 30 41 02 30 30 36 30 30 30 30 43 03 01 0D
AUDIO MUTE	ON	01 30 41 30 45 30 41 02 30 30 38 44 30 30 30 31 03 09 0D
	OFF	01 30 41 30 45 30 41 02 30 30 38 44 30 30 30 32 03 0A 0D
KEY LOCK	All Buttons	01 30 41 30 45 30 41 02 30 30 46 42 30 30 30 32 03 72 0D
	Control Buttons Only	01 30 41 30 45 30 41 02 30 30 46 42 30 30 30 31 03 71 0D
	Unlock	01 30 41 30 45 30 41 02 30 30 46 42 30 30 30 03 70 0D
VGA AUTO SETUP		01 30 41 30 45 30 41 02 30 30 31 45 30 30 30 31 03 01 0D
TV CHANNEL	Up	01 30 41 30 45 30 41 02 30 30 38 42 30 30 30 31 03 0F 0D
	Down	01 30 41 30 45 30 41 02 30 30 38 42 30 30 30 32 03 0C 0D
Analog Closed Caption	Off	01 30 41 30 45 30 41 02 31 30 38 34 30 30 30 31 03 78 0D
	CC1	01 30 41 30 45 30 41 02 31 30 38 34 30 30 30 32 03 7B 0D
	CC2	01 30 41 30 45 30 41 02 31 30 38 34 30 30 30 33 03 7A 0D
	CC3	01 30 41 30 45 30 41 02 31 30 38 34 30 30 30 34 03 7D 0D
	CC4	01 30 41 30 45 30 41 02 31 30 38 34 30 30 30 35 03 7C 0D
	TT1	01 30 41 30 45 30 41 02 31 30 38 34 30 30 30 36 03 7F 0D
	TT2	01 30 41 30 45 30 41 02 31 30 38 34 30 30 30 37 03 7E 0D
	TT3	01 30 41 30 45 30 41 02 31 30 38 34 30 30 30 38 03 71 0D
	TT4	01 30 41 30 45 30 41 02 31 30 38 34 30 30 30 39 03 70 0D
	Digital Closed Caption	Off
Srv1		01 30 41 30 45 30 41 02 31 30 41 31 30 30 30 32 03 07 0D
Srv2		01 30 41 30 45 30 41 02 31 30 41 31 30 30 30 33 03 06 0D
Srv3		01 30 41 30 45 30 41 02 31 30 41 31 30 30 30 34 03 01 0D
Srv4		01 30 41 30 45 30 41 02 31 30 41 31 30 30 30 35 03 00 0D
Srv5		01 30 41 30 45 30 41 02 31 30 41 31 30 30 30 36 03 03 0D
Srv6		01 30 41 30 45 30 41 02 31 30 41 31 30 30 30 37 03 02 0D

NOTE: The above list contains most of the compatible external communication codes for the E554.

Cable Connection

PC Control Connector (D-Sub 9P)



Communication Interface

Protocol	RS-232C
Baud rate	9,600 bps
Data length	8 bits
Parity bit	None
Stop bit	1 bit
Communication code	ASCII

NOTE: If so desired, jumper "Request to send" and "Clear to Send" together on both ends of the cable to simplify cable connection. These connections are not required. The only connections required are pins 2 (Tx/D), 3 (Rx/D) and 5 (GND).

NOTE: Communication for the E554 is *not* bidirectional. The display will only accept commands and will not send feedback.