

**SONY**<sup>®</sup>

4-534-762-11 (1)

# Video Projector

Quick Reference Manual \_\_\_\_\_ **US**

Guide de référence rapide \_\_\_\_\_ **FR**

Manual de referencia rápida \_\_\_\_\_ **ES**

Kurzreferenz \_\_\_\_\_ **DE**

Guida rapida all'uso \_\_\_\_\_ **IT**

Краткое справочное руководство \_\_\_\_\_ **RU**

VPL-HW55ES/HW40ES

**EAC**

<http://www.sony.net/>

© 2014 Sony Corporation Printed in China



4534762110

# About the Quick Reference Manual

This Quick Reference Manual explains the installation and basic operations for projecting pictures. It also describes important notes and cautions to which you have to pay attention when handling and using this unit.

Refer to “Warning Indicators,” “Replacing the Lamp,” and “Cleaning the Air Filter” as necessary.

For details on the operations, refer to the Operating Instructions contained in the supplied CD-ROM.

## Step 1

**Preparing ..... Page 9**

## Step 2

**Installing the Unit.....Page 10**

## Step 3

**Connecting the Unit.....Page 12**

## Step 4

**Selecting the Menu Language .....Page 16**

## Step 5

**Projecting.....Page 17**

---

**Error Handling**    **Warning Indicators .....Page 19**

**Maintenance**    **Replacing the Lamp .....Page 20**

**Cleaning the Air Filter .....Page 23**

Before operating the unit, please read this manual thoroughly and retain it for future reference.

## WARNING

**To reduce the risk of fire or electric shock, do not expose this apparatus to rain or moisture.**

**To avoid electrical shock, do not open the cabinet. Refer servicing to qualified personnel only.**

**WARNING  
THIS APPARATUS MUST BE  
EARTHED.**

### WARNING

When installing the unit, incorporate a readily accessible disconnect device in the fixed wiring, or connect the power plug to an easily accessible socket-outlet near the unit. If a fault should occur during operation of the unit, operate the disconnect device to switch the power supply off, or disconnect the power plug.

### For the customers in the U.S.A.

This equipment has been tested and found to comply with the limits for a Class B digital device, pursuant to part 15 of the FCC Rules. These limits are designed to provide reasonable protection against harmful interference in a residential installation. This equipment generates, uses and can radiate radio frequency energy and, if not installed and used in accordance with the instructions, may cause harmful interference to radio communications. However, there is no guarantee that interference will not occur in a particular installation. If this equipment does cause harmful interference to radio or television reception, which can be determined by turning the equipment off and on, the user is encouraged to try to correct the interference by one or more of the following measures:

- Reorient or relocate the receiving antenna.
- Increase the separation between the equipment and receiver.

- Connect the equipment into an outlet on a circuit different from that to which the receiver is connected.
- Consult the dealer or an experienced radio/TV technician for help.

You are cautioned that any changes or modifications not expressly approved in this manual could void your authority to operate this equipment.

All interface cables used to connect peripherals must be shielded in order to comply with the limits for a digital device pursuant to Subpart B of part 15 of FCC Rules.

If you have any questions about this product, you may call;

Sony Customer Information Service Center  
1-800-222-7669 or <http://www.sony.com/>

### Declaration of Conformity

Trade Name: SONY  
Model: VPL-HW55ES  
VPL-HW40ES  
Responsible party: Sony Electronics Inc.  
Address: 16530 Via Esprillo,  
San Diego, CA 92127  
U.S.A.  
Telephone Number: 858-942-2230

This device complies with part 15 of the FCC Rules. Operation is subject to the following two conditions: (1) This device may not cause harmful interference, and (2) this device must accept any interference received, including interference that may cause undesired operation.

### For the customers in Canada

CAN ICES-3 (B)/NMB-3(B)

### For the customers in Europe

This product has been manufactured by or on behalf of Sony Corporation, 1-7-1 Konan Minato-ku Tokyo, 108-0075 Japan. Inquiries related to product compliance based on European Union legislation shall be addressed to the authorized representative, Sony Deutschland GmbH, Hedelfinger Strasse 61, 70327 Stuttgart, Germany. For any service or guarantee matters, please

US

refer to the addresses provided in the separate service or guarantee documents.

### For kundene i Norge

Dette utstyret kan kobles til et IT-strømfordelingssystem.

### For the customers in Taiwan only



廢電池請回收

### For the Customers in Brazil only

#### DESCARTE DE PILHAS E BATERIAS



Após o uso, as pilhas e/ou baterias deverão ser entregues ao estabelecimento comercial ou rede de assistência técnica autorizada.

#### Pilhas e Baterias não recarregáveis

##### Atenção:

Verifique as instruções de uso do aparelho certificando-se de que as polaridades (+) e (-) estão no sentido indicado. As pilhas poderão vazar ou explodir se as polaridades forem invertidas, expostas ao fogo, desmontadas ou recarregadas.

Evite misturar com pilhas de outro tipo ou com pilhas usadas, transportá-las ou armazená-las soltas, pois aumenta o risco de vazamento.

Retire as pilhas caso o aparelho não esteja sendo utilizado, para evitar possíveis danos na eventualidade de ocorrer vazamento.

As pilhas devem ser armazenadas em local seco e ventilado.

No caso de vazamento da pilha, evite o contato com a mesma.

Lave qualquer parte do corpo afetado com água abundante.

Ocorrendo irritação, procure auxílio médico.

Não remova o invólucro da pilha.

Mantenha fora do alcance das crianças. Em caso de ingestão procure auxílio médico imediatamente.

#### DESCARTE DE PILHAS E BATERIAS

Este produto contém bateria de alimentação integrada (não removível pelo usuário) que só deve ser substituída por profissionais qualificados. Ao fim da vida útil do equipamento, disponha-o em um ponto de coleta na Rede Autorizada Sony ou nas lojas Sony, de forma a garantir o tratamento adequado da bateria.

#### For the customers in the U.S.A.

**SONY LIMITED WARRANTY** - Please visit <http://www.sony.com/psa/warranty> for important information and complete terms and conditions of Sony's limited warranty applicable to this product.

#### For the customers in Canada

**SONY LIMITED WARRANTY** - Please visit <http://www.sonybiz.ca/solutions/Support.do> for important information and complete terms and conditions of Sony's limited warranty applicable to this product.

#### For the customers in Europe

Sony Professional Solutions Europe - Standard Warranty and Exceptions on Standard Warranty.

Please visit <http://www.pro.sony.eu/warranty> for important information and complete terms and conditions.

#### For the customers in Korea

**SONY LIMITED WARRANTY** - Please visit <http://bpeng.sony.co.kr/handler/BPAS-Start> for important information and complete terms and conditions of Sony's limited warranty applicable to this product.

---

# Precautions

---

## On safety

- Check that the operating voltage of your unit is identical with the voltage of your local power supply.
- Should any liquid or solid object fall into the cabinet, unplug the unit and have it checked by qualified personnel before operating it further.
- Unplug the unit from the wall outlet if it is not to be used for several days.
- To disconnect the cord, pull it out by the plug. Never pull the cord itself.
- The wall outlet should be near the unit and easily accessible.
- The unit is not disconnected to the AC power source (mains) as long as it is connected to the wall outlet, even if the unit itself has been turned off.
- Do not look into the lens while the lamp is on.
- Do not place your hand or objects near the ventilation holes. The air coming out is hot.

---

## On preventing internal heat build-up

After you turn off the power with the I/⏻ (ON/STANDBY) switch, do not disconnect the unit from the wall outlet while the cooling fan is still running.

## Caution

This unit is equipped with ventilation holes (intake) and ventilation holes (exhaust). Do not block or place anything near these holes, or internal heat build-up may occur, causing picture degradation or damage to the unit.

---

## On repacking

Save the original shipping carton and packing material; they will come in handy if you ever have to ship your unit. For maximum protection, repack your unit as it was originally packed at the factory.

---

## On watching 3D video images

### Safety precautions

- You should only use the 3D glasses for watching 3D video images.
- If you observe flickering or flashing, turn off the lighting in the room.
- Not for use by children without proper adult supervision.
- Be careful not to pinch your fingers in hinges of the 3D glasses when bending the temple frames.
- Do not drop or modify these 3D glasses.
- If these glasses are broken, keep broken pieces away from your mouth or eyes.

---

## On LCD Projector

The LCD projector is manufactured using high-precision technology. You may, however, see tiny black points and/or bright points (red, blue, or green) that continuously appear on the LCD projector. This is a normal result of the manufacturing process and does not indicate a malfunction. Also, when you use multiple LCD projectors to project onto a screen, even if they are of the same model, the color reproduction among projectors may vary, since color balance may be set differently from one projector to the next.

---

## On condensation

If the room temperature where the projector is installed changes rapidly, or if the projector is moved suddenly from a cold to a warm place, condensation in the projector may occur. As the condensation may cause malfunction, be careful in adjusting temperature settings of the air conditioner. If condensation occurs, leave the projector turned on for about two hours before use.

SONY WILL NOT BE LIABLE FOR DAMAGES OF ANY KIND RESULTING FROM A FAILURE TO IMPLEMENT PROPER SECURITY MEASURES ON TRANSMISSION DEVICES, UNAVOIDABLE DATA LEAKS RESULTING FROM TRANSMISSION SPECIFICATIONS, OR SECURITY PROBLEMS OF ANY KIND.

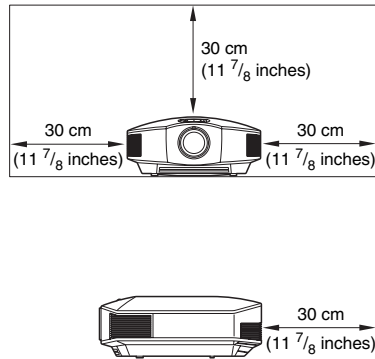
## Notes on Installation and Usage

### Unsuitable installation

Do not place the unit in the following situations, which may cause malfunction or damage to the unit.

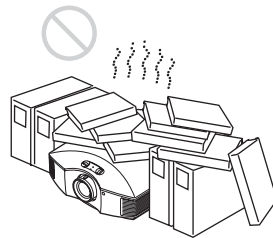
#### Near walls

To maintain the performance and reliability of the unit, leave space between walls and the unit as illustrated.

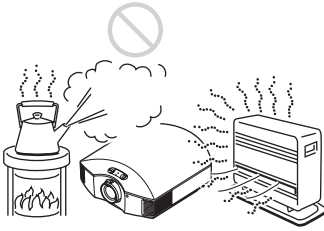


#### Poorly ventilated location

Leave space of more than 30 cm (11 7/8 inches) around the unit.

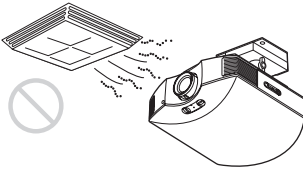


## Hot and humid



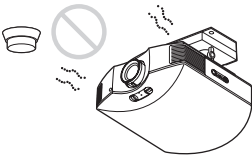
## Locations subject to direct cool or warm air from an air-conditioner

Installing the unit in such a location may cause a malfunction of the unit due to moisture condensation or rise in temperature.

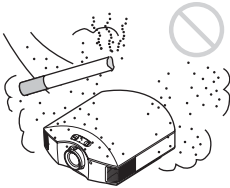


## Near a heat or smoke sensor

Malfunction of the sensor may occur.



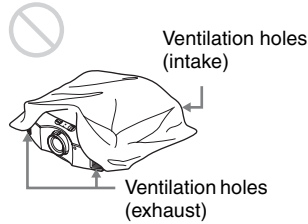
## Very dusty and extremely smoky locations



## Unsuitable Conditions

Do not do any of the following while using the unit.

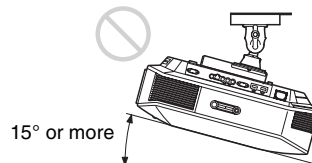
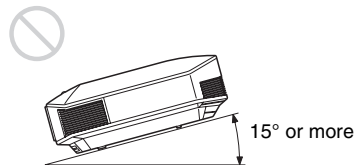
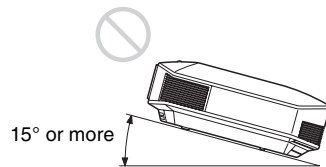
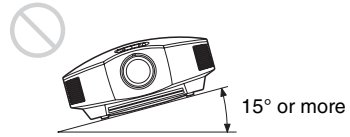
## Blocking the ventilation holes (intake or exhaust)

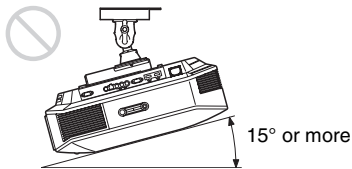


## Tilting front/rear and left/right


Avoid using the unit tilted at an angle of more than 15 degrees.

Do not install the unit anywhere other than on a level surface or on the ceiling. Installing the unit in such a location may result in uneven color uniformity or reduce the reliability of the effects of the lamp. If the unit is tilted up or down, the image on the screen may be trapezoidal. Position the unit so that the lens is parallel to the screen.





### **When installing the unit at high altitudes**

When using the unit at an altitude of 1,500 m (approx. 4,900 ft) or higher, set “Cooling Setting” on the Setup  menu to “High”. Failing to set this mode when using the unit at high altitudes could have adverse effects, such as reducing the reliability of certain components.

### **Safety precautions for installing the unit on a ceiling**

- Never mount the projector on the ceiling or move it by yourself. Be sure to consult with qualified Sony personnel (charged).
- When installing the unit on a ceiling, be sure to use a safety wire, etc., to prevent the unit from falling. Entrust the installation to an experienced contractor or installer.

---

### **For dealers**

- When the projector is mounted on the ceiling, a Sony bracket or recommended equivalent must be used for installation.
- Be sure to secure the cabinet cover firmly when installing to the ceiling firmly.



## Checking the Supplied Accessories

Check the carton to make sure it contains the following items:

- Remote control (1)
- Size AA (R6) manganese batteries (2)
- AC power cord (1)
- Lens cap (1)

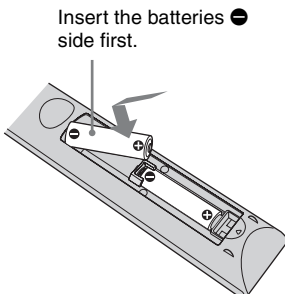
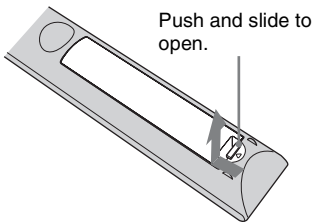
When you have purchased the projector, the lens cap is put onto the lens. Remove this lens cap when you use the projector.

- Quick Reference Manual (this manual) (1)
- Operating Instructions (CD-ROM) (1)

For VPL-HW55ES, the following items are also contained.

- 3D glasses (2)
- Pouch for the 3D glasses (2)
- USB charging cable (APY5244010020/SONY) (1.2 m) (2)
- Operating Instructions for the 3D glasses (1)

## Inserting the Batteries into the Remote Control



## CAUTION

Danger of explosion if battery is incorrectly replaced.

Replace only with the same or equivalent type recommended by the manufacturer.

When you dispose of the battery, you must obey the law in the relative area or country.

## Installing batteries

Two size AA (R6) batteries are supplied for Remote Control.

To avoid risk of explosion, use size AA (R6) manganese or alkaline batteries.

## Caution about handling the remote control

- Handle the remote control with care. Do not drop or step on it, or spill liquid of any kind onto it.
- Do not place the remote control in a location near a heat source, a place subject to direct sunlight, or a damp room.

## Using the CD-ROM manual

The manual can be read on a computer with Adobe Reader installed.

You can download Adobe Reader free from the Adobe website.

- 1 Open the index.html file in the CD-ROM.
- 2 Select and click on the manual that you want to read.

### Note

If you have lost or damaged the CD-ROM, you can purchase a new one from your Sony dealer or Sony service counter.

## Step 2

# Installing the Unit

- 1 Position the unit so that the lens is parallel to the screen.
- 2 After connecting the AC cord to the projector, plug the AC cord into a wall outlet.

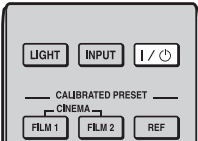
Top of the unit

**ON/STANDBY**



Lights in red.

- 3 Press the I/⏻ (ON/STANDBY) switch to turn on the projector.



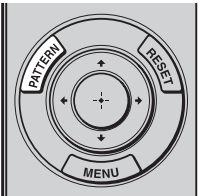
Top of the unit

**ON/STANDBY**

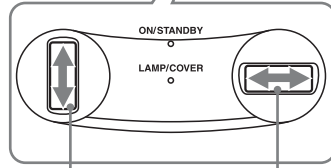
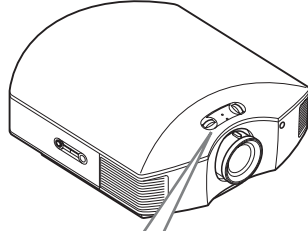


Flashes in green for a while (tens of seconds) and then lights in green.

- 4 Press the PATTERN button to display a test signal for performing adjustments.



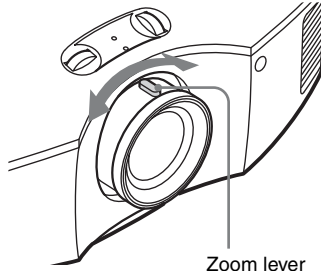
- 1 Move both lens shift dials to adjust the picture position.



To adjust the vertical position

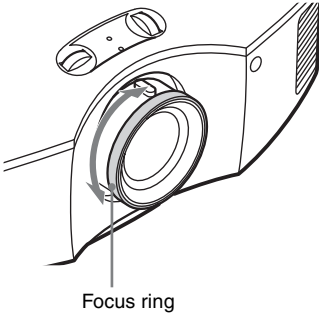
To adjust the horizontal position

- 2 Adjust the picture size using the zoom lever.

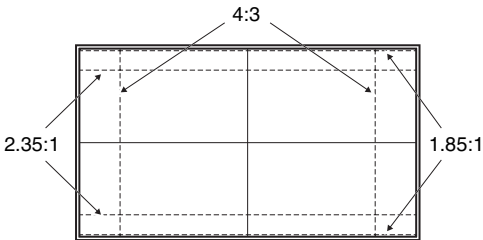


Zoom lever

**3 Adjust the focus using the focus ring.**



**Lens adjustment window (test pattern)**



The dashed lines show the screen sizes of each aspect ratio.

*For more information, refer to "Connections and Preparations" in the Operating Instructions contained in the supplied CD-ROM.*

## Step 3

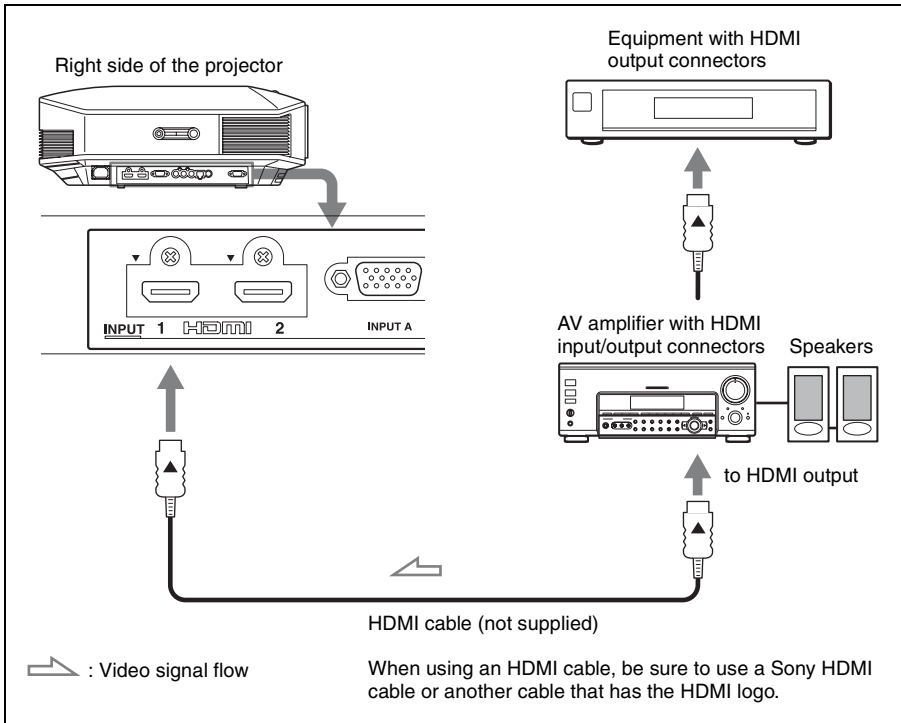
# Connecting the Unit

**When making connections, be sure to do the following:**

- Turn off all equipment before making any connections.
- Use the proper cables for each connection.
- Insert the cable plugs properly; poor connection at the plugs may cause a malfunction or poor picture quality. When pulling out a cable, be sure to pull it out from the plug, not the cable itself.
- Refer to the operating instructions of the connected equipment.

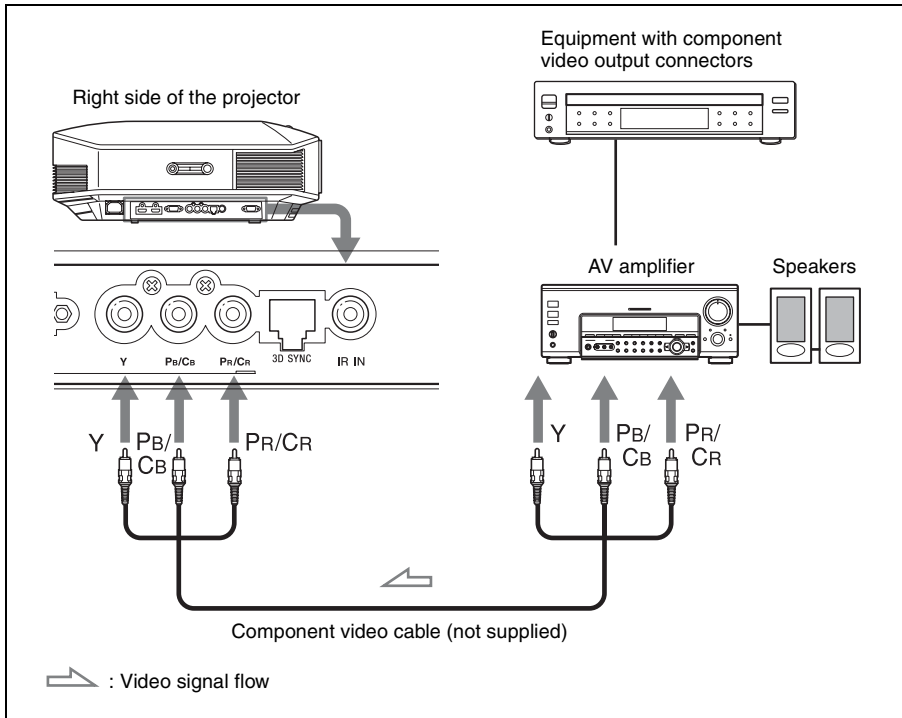
## Connecting to a VCR

**To connect to equipment with HDMI output connectors**



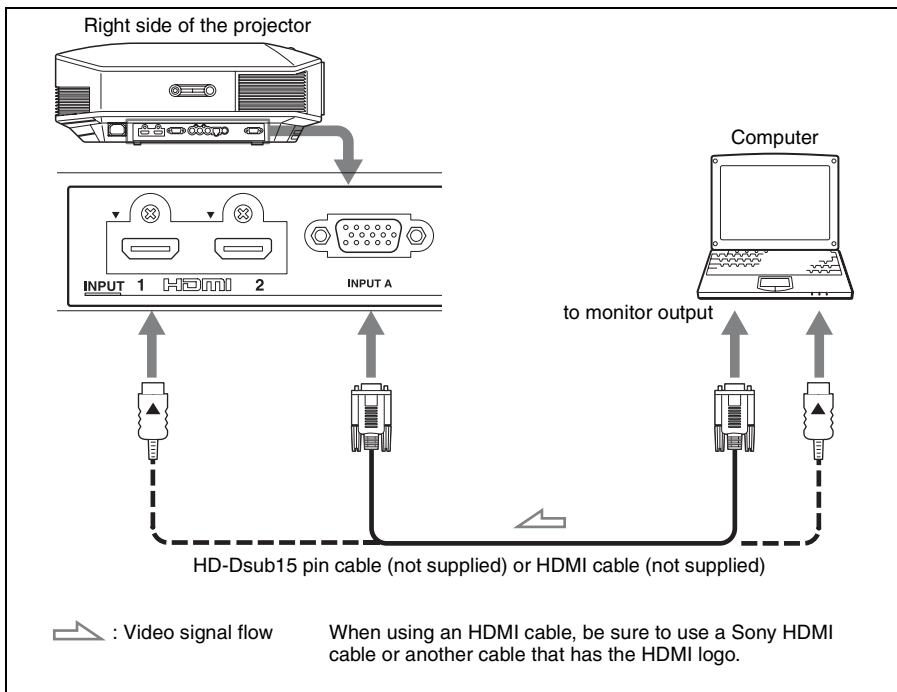
*For more information, refer to "Connections and Preparations" in the Operating Instructions contained in the supplied CD-ROM.*

## To connect to equipment with component video output connectors



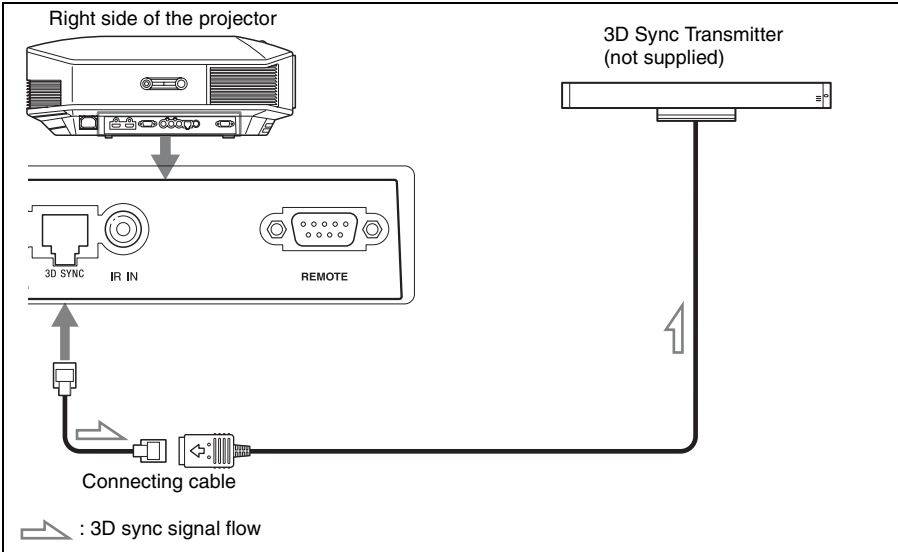
*For more information, refer to "Connections and Preparations" in the Operating Instructions contained in the supplied CD-ROM.*

## Connecting to a Computer



*For more information, refer to “Connections and Preparations” in the Operating Instructions contained in the supplied CD-ROM.*

## Connecting to a 3D Sync Transmitter



### CAUTION

Be sure to use straight-type LAN cable of up to 15 m labeled TYPE CM, and do not use an extension cord.

### Note

You can use a 3D Sync Transmitter separate from this unit, using an optional LAN cable (straight-type).

If the usage environment has interference of a continuous specific frequency, synchronization of 3D image signals and the 3D glasses may be lost. In this case, use a LAN cable labeled Category 7.

When watching 3D images in an environment that has even more interference, use the internal transmitter.

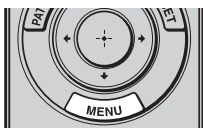
*For more information, refer to “Connections and Preparations” in the Operating Instructions contained in the supplied CD-ROM.*

## Step 4

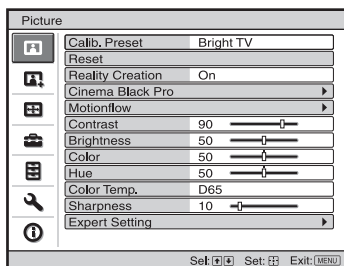
# Selecting the Menu Language

You can select one of 16 languages for displaying the menu and other on-screen displays. The factory default setting is English. To change the current menu language, set the desired language with the menu screen.

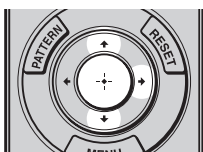
### 1 Press MENU.



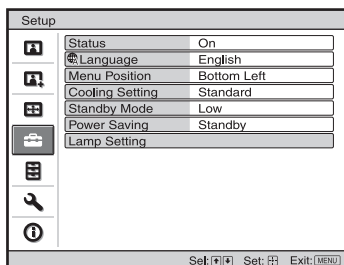
The menu appears.



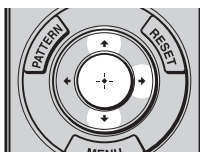
### 2 Press $\uparrow/\downarrow$ to select the Setup menu, and press $\rightarrow$ or $\odot$ .



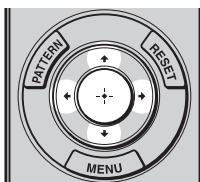
The setting items of the selected menu appear.



### 3 Press $\uparrow/\downarrow$ to select "Language," and press $\rightarrow$ or $\odot$ .



### 4 Press $\uparrow/\downarrow/\leftarrow/\rightarrow$ to select a language, and press $\odot$ .



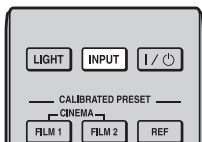
The menu changes to the selected language.

**To clear the menu**  
Press MENU.



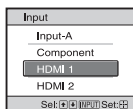
## Projecting the Picture

- 1 Power on both the projector and the equipment connected to the unit.
- 2 Press INPUT to display the input palette on the screen.



- 3 Select the equipment from which you want to display images.

Press INPUT repeatedly or press **↑/↓** (enter) to select the equipment from which to project.



Example: To view the picture from the video equipment connected to the HDMI 1 connector of this unit.

The fan stops and the ON/STANDBY indicator changes from flashing green to remaining red.

The power is turned off completely, and you can disconnect the AC power cord.

### Note

Never disconnect the AC power cord while the indicator is flashing.

You can turn off the projector by holding the **I/⏻** (ON/STANDBY) switch for about 1 second, instead of performing the above steps.

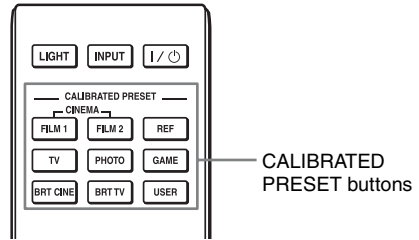
## Turning Off the Power

- 1 Press the **I/⏻** (ON/STANDBY) switch.  
A message “POWER OFF?” appears on the screen.
- 2 Press the **I/⏻** (ON/STANDBY) switch again before the message disappears.  
The ON/STANDBY indicator flashes in green and the fan continues to run to reduce the internal heat. First, the ON/STANDBY indicator flashes quickly, during which you will not be able to light up the lamp with the **I/⏻** (ON/STANDBY) switch.

*For more information, refer to “Projecting” in the Operating Instructions contained in the supplied CD-ROM.*

## Selecting the Picture Viewing Mode

Press one of the CALIBRATED PRESET buttons.



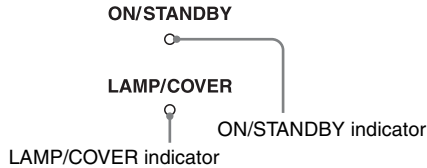
Setting items	Description
CINEMA FILM 1	Picture quality suited to reproducing the highly dynamic and clear images typical of master positive film.
CINEMA FILM 2	Picture quality suited to reproducing the rich tone and color typical of a movie theater.
REF	A picture quality setup suitable for when you want to reproduce faithfully the original image quality, or for enjoying image quality, without any adjustment.
TV	Picture quality suited for watching TV programs, sports, concerts, etc.
PHOTO	Ideal for projecting still images taken with a digital camera.
GAME	Picture quality suited to gaming, with well-modulated colors and fast response.
BRT CINE	Picture quality suited for watching movies in a bright environment, such as a living room.
BRT TV	Picture quality suited for watching TV programs, sports, concerts, and other video images in a bright environment, such as a living room.
USER	Adjusts the picture quality to suit your taste then saves the setting. The factory default setting is the same as "REF."

*For more information, refer to "Projecting" in the Operating Instructions contained in the supplied CD-ROM.*

# Error Handling

## Warning Indicators

The ON/STANDBY or LAMP/COVER indicator lights up or flashes if there is any trouble with your projector.



Symptom	Cause and Remedy
LAMP/COVER flashes in red. (A repetition rate of 2 flashes)	<ul style="list-style-type: none"> <li>→ Close the lamp cover securely, then tighten the screws securely.</li> <li>→ Close the filter holder securely.</li> </ul>
LAMP/COVER flashes in red. (A repetition rate of 3 flashes)	<ul style="list-style-type: none"> <li>→ The lamp has reached the end of its useful lifespan. Replace the lamp.</li> <li>→ The lamp has reached a high temperature. Wait until the lamp cools, and then turn on the power again.</li> </ul>
ON/STANDBY flashes in red. (A repetition rate of 4 flashes)	<ul style="list-style-type: none"> <li>→ The fan is broken. Consult with qualified Sony personnel.</li> </ul>
ON/STANDBY flashes in red. (A repetition rate of 2 flashes)	<ul style="list-style-type: none"> <li>→ The internal temperature is unusually high. Check to ensure that if nothing is blocking the ventilation holes or whether or not the projector is being used at high altitudes.</li> </ul>
ON/STANDBY flashes in red. (A repetition rate of 6 flashes)	<ul style="list-style-type: none"> <li>→ Press the I/⏻ (ON/STANDBY) switch to turn on the projector. If the power is not turned on, disconnect the AC power cord, then confirm the ON/STANDBY lamp is turned off. After about 10 seconds, reconnect the AC power cord and turn on the power again. If the indicators still light up, the electrical system has a problem. Consult with qualified Sony personnel.</li> </ul>

### Note

When a warning indicator other than the above starts flashing, and the symptom persists even after carrying out the above methods, consult with qualified Sony personnel.

*If there is any problem or an error message appears on the screen, refer to "Troubleshooting" in the Operating Instructions contained in the supplied CD-ROM.*

# Maintenance

## Replacing the Lamp

### Tools you need to get started:

- **Projector Lamp LMP-H202 (optional)**
- **Standard Phillips screwdriver**
- **Cloth (for scratch protection)**

The lamp used for the light source has a certain lifespan. When the lamp dims, the color balance of the picture becomes strange, or “Please replace the Lamp/Filter.” appears on the screen, the lamp may be exhausted. Replace the lamp with a new one without delay.

Use an LMP-H202 Projector Lamp as the replacement lamp.

The air filter is supplied with the LMP-H202 Projector Lamp. When you replace the lamp, it is also time to replace the air filter.

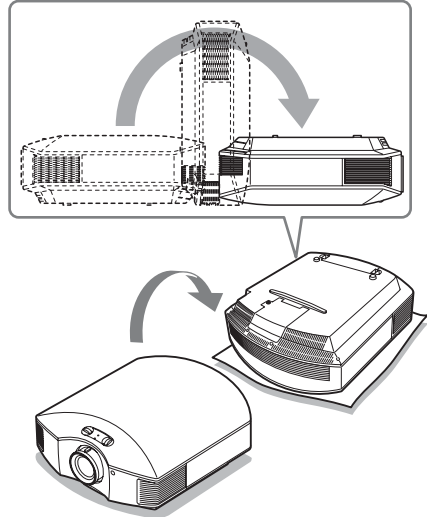
Whenever you replace the lamp, be sure to replace the air filter with a new one. Also clean the ventilation holes (intake).

### Caution

- The lamp remains hot after the projector is turned off with the I/⏻ (ON/STANDBY) switch. If you touch the lamp, you may burn your fingers. When you replace the lamp, wait for at least 1 hour for the lamp to cool.
- Do not touch the surface of the lens. If you touch it, wipe off the fingerprints with a soft cloth.
- Pay special attention to replacing the lamp when the projector is installed on the ceiling.
- When removing the lamp unit, make sure it remains horizontal, then pull straight up. Do not tilt the lamp unit. If you pull out the lamp unit while tilted and if the lamp breaks, the pieces may scatter, causing injury.
- When you remove the air filter, be careful not to let any dust fall into the projector.
- Replacing the air filter is crucial to maintain the good performance of the projector or to prevent malfunction to it. When a warning message for replacing the air filter appears, replace the air filter immediately.

- 1** Turn off the projector and unplug the AC power cord.

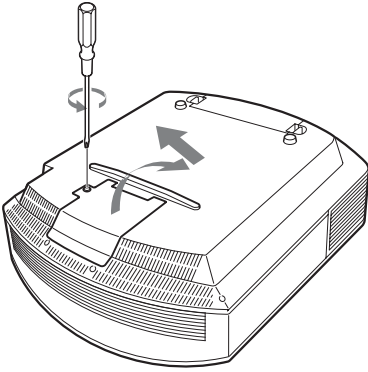
- 2** When setting the projector on a flat surface such as a desk etc., put a cloth to prevent the surface from being scratched. Reverse the projector as illustrated, then place it on the cloth.



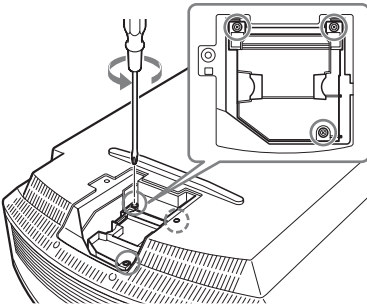
### Notes

- When the lamp is damaged the broken pieces of the lamp may become scattered, if you do not reverse the projector. This may cause injury.
- Be sure that the projector is placed on a stable surface.

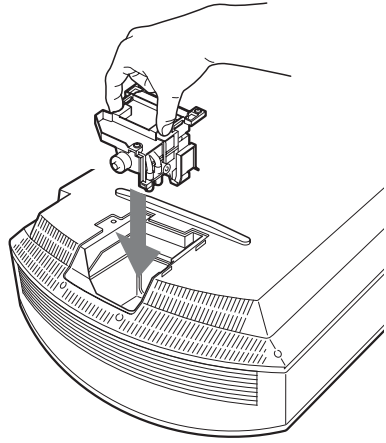
- 3** Loosen the screw on the lamp cover with a Phillips screwdriver, and then open the lamp cover.



- 4** Loosen the 3 screws on the lamp with the Phillips screwdriver. Hold up the handle, then pull the lamp straight out.



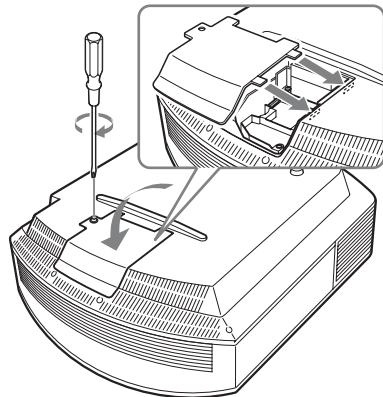
- 5** Hold the handle of the new lamp and push it in securely until it reaches the end, and then tighten the 3 screws.



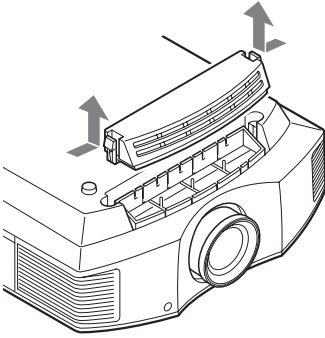
**Note**

Be careful not to touch the optical block inside the unit.

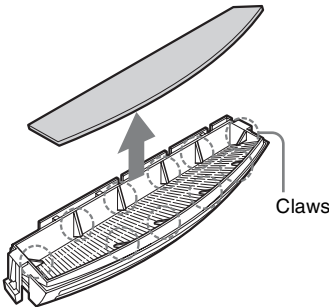
- 6** Close the lamp cover, then tighten the screws.



**7** Remove the filter holder.



**8** Remove the air filter.



**9** Attach the new air filter so that it fits into each claws (10 positions) on the filter holder.

**Note**

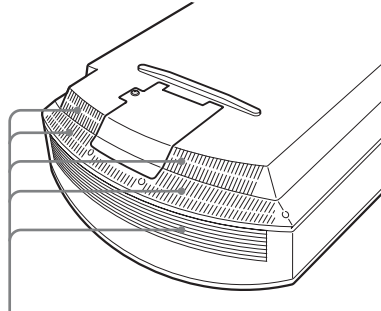
Attach the air filter aligning it with the shape of the filter holder. Also, do not touch the fan after removing the air filter that is set deep inside the projector.

**10** Attach the filter holder.

**Note**


The projector will not turn on unless the filter holder is securely closed.

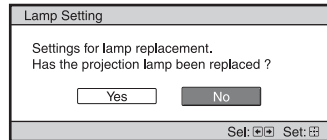
**11** Wipe dust off the ventilation holes (intake) with a soft cloth.



Ventilation holes (intake)

**12** Place the project back on its original position.

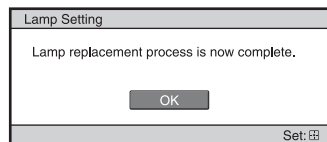
**13** Turn on the projector, then select the desired setting item on the Setup  menu. The menu screen below will be appeared.



**Tip**

If "Settings Lock" is set to "Level B," set to "Off" once.

**14** Select "Yes".



**Caution**

Do not put your hands into the lamp replacement slot, and do not allow any liquid or other objects into the slot to avoid electrical shock or fire.

## Notes

- Be sure to use an LMP-H202 Projector Lamp for replacement. If you use lamps other than the LMP-H202, the projector may malfunction.
- Be sure to turn off the projector and unplug the power cord before replacing the lamp, then check the ON/STANDBY lamp has already been turned off.
- The projector will not turn on unless the lamp is securely installed in place.
- The projector will not turn on unless the lamp cover is securely closed.
- To cancel a message displayed on the screen, press either the button on the remote control or the one on the control panel on the projector.

### Note

The lamp contains mercury. The disposal rules for used fluorescent tubes depend on where you live. Follow the waste disposal policy in your area.

## Disposal of the used lamp

### For the customers in the USA

Lamp in this product contains mercury. Disposal of these materials may be regulated due to environmental considerations. For disposal or recycling information, please contact your local authorities or the Telecommunications Industry Association ([www.eiae.org](http://www.eiae.org)).

## Cleaning the Air Filter

When “Please clean the filter.” appears on the screen, you should clean the air filter. The air filter should be cleaned every 1,500 hours. This value varies depending on the environment or how the projector is used. 1,500 hours are approximate. After washing the air filter with a mild detergent solution, dry it in a shaded place.

### Notes

- When you clean the air filter, make sure you do not damage it.  
For details on how to attach and remove the air filter, see “Replacing the Lamp” Steps 7 to 10. (page 22)
- When you remove the air filter, be careful not to let any dust fall into the projector.
- Cleaning the air filter is crucial to maintain the good performance of the projector or to prevent malfunction to it. When a warning message for cleaning the air filter appears, clean the air filter immediately.

# A propos du Guide de référence rapide

Ce Guide de référence rapide décrit l'installation et les procédures de base de projection des images. Vous y trouverez également des mises en garde et des remarques importantes qu'il convient de respecter au cours de la manipulation et de l'utilisation de cet appareil. Le cas échéant, reportez-vous aux sections « Indicateurs d'avertissement », « Remplacement de la lampe » et « Nettoyage du filtre à air ».

Pour plus d'informations sur l'utilisation, reportez-vous au Mode d'emploi que vous trouverez sur le CD-ROM fourni.

## Etape 1

**Préparation ..... Page 8**

## Etape 2

**Installation de l'appareil ..... Page 9**

## Etape 3

**Raccordement de l'appareil ..... Page 11**

## Etape 4

**Sélection de la langue du menu .... Page 15**

## Etape 5

**Projection ..... Page 16**

---

## Gestion des erreurs

**Indicateurs d'avertissement ..... Page 18**

## Entretien

**Remplacement de la lampe ..... Page 19**

**Nettoyage du filtre à air ..... Page 22**



Avant d'utiliser l'appareil, veuillez lire attentivement ce manuel et le conserver pour future référence.

## AVERTISSEMENT

**Afin de réduire les risques d'incendie ou d'électrocution, ne pas exposer cet appareil à la pluie ou à l'humidité. Afin d'écartier tout risque d'électrocution, garder le coffret fermé. Ne confier l'entretien de l'appareil qu'à un personnel qualifié.**

### AVERTISSEMENT

**CET APPAREIL DOIT ÊTRE RELIÉ À LA TERRE.**

### AVERTISSEMENT

Lors de l'installation de l'appareil, incorporer un dispositif de coupure dans le câblage fixe ou brancher la fiche d'alimentation dans une prise murale facilement accessible proche de l'appareil. En cas de problème lors du fonctionnement de l'appareil, enclencher le dispositif de coupure d'alimentation ou débrancher la fiche d'alimentation.

### AVERTISSEMENT

- 1 Utilisez un cordon d'alimentation (câble secteur à 3 fils)/fiche femelle/fiche mâle avec des contacts de mise à la terre conformes à la réglementation de sécurité locale applicable.
- 2 Utilisez un cordon d'alimentation (câble secteur à 3 fils)/fiche femelle/fiche mâle avec des caractéristiques nominales (tension, ampérage) appropriées.

Pour toute question sur l'utilisation du cordon d'alimentation/fiche femelle/fiche mâle ci-dessus, consultez un technicien du service après-vente qualifié.

### Pour les clients au Canada

CAN ICES-3 (B)/NMB-3(B)

### Pour les clients en Europe

Ce produit a été fabriqué par ou pour le compte de Sony Corporation, 1-7-1 Konan Minato-ku Tokyo, 108-0075 Japon. Toutes les questions relatives à la conformité des produits basées sur la législation européenne doivent être adressées à son représentant, Sony Deutschland GmbH, Hedelfinger Strasse 61, 70327 Stuttgart, Allemagne. Pour toute question relative au Service Après-Vente ou à la Garantie, merci de bien vouloir vous référer aux coordonnées qui vous sont communiquées dans les documents « Service (SAV) » ou Garantie.

### Pour les clients au Canada

#### **GARANTIE LIMITÉE DE SONY -**

Rendez-vous sur <http://www.sonybiz.ca/solutions/Support.do> pour obtenir les informations importantes et l'ensemble des termes et conditions de la garantie limitée de Sony applicable à ce produit.

---

# Précautions

---

## Sécurité

- S'assurer que la tension de service de votre projecteur est identique à la tension locale.
- Si du liquide ou un objet quelconque venait à pénétrer dans le boîtier, débrancher le projecteur et le faire vérifier par un technicien qualifié avant la remise en service.
- Débrancher le projecteur de la prise murale en cas de non-utilisation pendant plusieurs jours.
- Pour débrancher le cordon, le tirer par la fiche. Ne jamais tirer sur le cordon lui-même.
- La prise murale doit se trouver à proximité du projecteur et être facile d'accès.
- Le projecteur n'est pas déconnecté de la source d'alimentation tant qu'il reste branché à la prise murale, même s'il a été mis hors tension.
- Ne pas regarder dans l'objectif lorsque la lampe est allumée.
- Ne pas placer la main ou des objets à proximité des orifices de ventilation. L'air expulsé est brûlant.

---

## Prévenir l'accumulation de chaleur interne

Après avoir mis l'appareil hors tension au moyen de l'interrupteur I/⏻ (marche/veille), ne pas le débrancher de la prise murale tant que le ventilateur de refroidissement tourne.

## Mise en garde

Cet appareil est doté d'orifices de ventilation (prise d'air et sortie d'air). Ne pas obstruer ces orifices et ne rien placer à proximité car ceci risquerait de provoquer une surchauffe interne pouvant entraîner une altération de l'image ou un endommagement de l'appareil.

---

## Remballage

Conserver le carton d'emballage original et le matériel d'emballage ; ils seront très utiles si l'on doit un jour expédier l'appareil. Pour assurer une protection maximale, remballer l'appareil tel qu'il avait été emballé en usine.

---

## À propos du visionnage d'images vidéo 3D

### Consignes de sécurité

- Vous devez seulement porter les lunettes 3D pour regarder des images vidéo 3D.
- Si vous observez des scintillements ou des éclairs, éteignez l'éclairage.
- Cet appareil n'est pas destiné à être utilisé par des enfants sans la surveillance d'un adulte.
- Veillez à ne pas vous pincer les doigts dans les charnières des lunettes 3D lorsque vous repliez les branches.
- Ne laissez pas tomber ou ne modifiez pas ces lunettes 3D.
- Si ces lunettes sont cassées, éloignez les débris de la bouche ou des yeux.

---

## Projecteur LCD

Le projecteur LCD est fabriqué au moyen d'une technologie de haute précision. Il se peut toutefois que vous constatiez que de petits points noirs et/ou lumineux (rouges, bleus ou verts) apparaissent continuellement sur le projecteur LCD. Ceci est un résultat normal du processus de fabrication et n'est pas le signe d'un dysfonctionnement. Si vous utilisez plusieurs projecteurs LCD pour projeter sur un écran, la reproduction des couleurs peut varier selon les projecteurs, même s'ils sont du même modèle. Ceci est dû au fait que l'équilibre des couleurs peut être réglé différemment sur les projecteurs.

## Remarque concernant la condensation

Si la pièce dans laquelle le projecteur est installé subit de brusques changements de températures ou si vous déplacez le projecteur d'un endroit froid à un endroit chaud, de la condensation peut se former à l'intérieur du projecteur. Étant donné que la condensation peut provoquer un dysfonctionnement, réglez la température de votre climatiseur avec précaution. Si de la condensation se forme, laissez le projecteur allumé pendant deux heures avant de l'utiliser.

**Sony ne peut être tenue responsable de tout dommage, de quelque nature que ce soit, résultant d'une incapacité à mettre en place des mesures de sécurité adaptées pour les dispositifs de transmission, de fuites de données inévitables dues aux spécifications de transmission ou de tout autre problème de sécurité.**

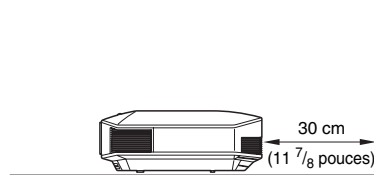
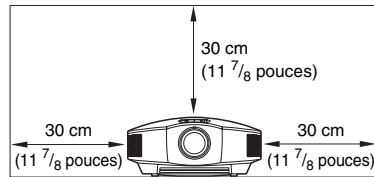
## Remarques sur l'installation et l'utilisation

### Installation déconseillée

Ne pas placer l'appareil dans les positions suivantes, ce qui risquerait de provoquer un dysfonctionnement ou des dommages.

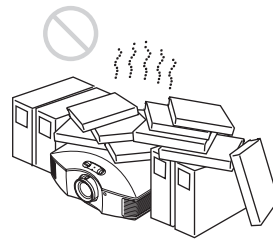
### Murs proches

Afin de maintenir les performances et la fiabilité de l'appareil, laisser un dégagement entre les murs et l'appareil tel qu'illustré.

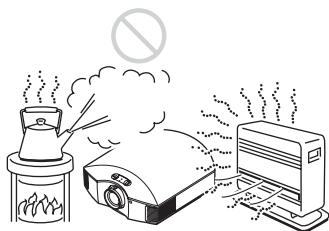


### Mauvaise ventilation

Laisser un dégagement de plus de 30 cm (11 7/8 pouces) autour de l'appareil.

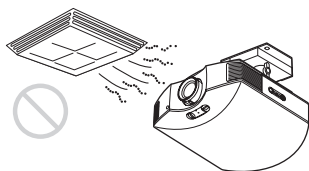


## Endroits chauds et humides



## Endroits directement exposés au souffle froid ou chaud d'un climatiseur

L'installation de l'appareil dans de tels endroits pourrait provoquer un dysfonctionnement sous l'effet de la condensation d'humidité ou de l'élévation de température.



## Proximité d'un détecteur de chaleur ou de fumée

Il pourrait en résulter un dysfonctionnement du capteur.



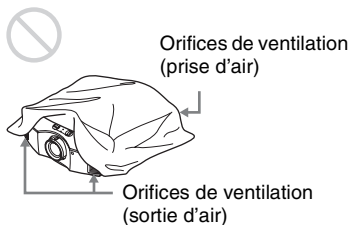
## Endroits très poussiéreux ou enfumés



## Conditions inappropriées

Éviter ce qui suit pendant l'utilisation de l'appareil.

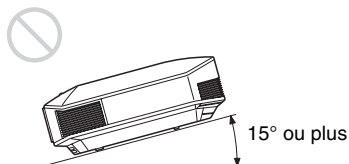
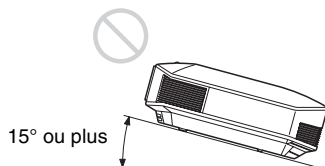
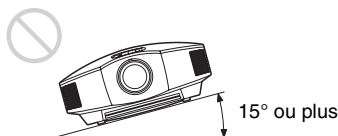
### Bloquer les orifices de ventilation (prise ou sortie d'air)

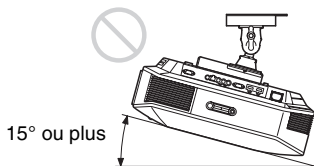


### Inclinaison vers l'avant/arrière et vers la gauche/droite

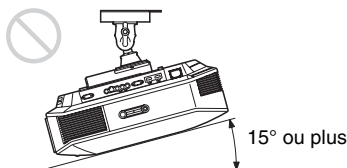
Éviter d'incliner l'appareil à un angle supérieur à 15 degrés pour l'utiliser. Ne pas installer l'appareil ailleurs que sur une surface de niveau ou au plafond. L'installation de l'appareil dans un tel emplacement peut affecter l'uniformité des couleurs ou réduire la fiabilité des effets de la lampe.

Si l'appareil est incliné vers le haut ou le bas, l'image à l'écran peut être trapézoïdale. Positionner l'appareil de façon à ce que l'objectif soit parallèle à l'écran.






15° ou plus



15° ou plus

### Lors de l'installation de l'appareil à haute altitude

Lorsque vous utilisez l'appareil à une altitude de 1 500 m (environ 4 900 pi) ou plus, réglez « Régl. refroidissement » dans le menu Réglage  sur « Haut ». Si vous n'activez pas ce mode lors d'une utilisation à haute altitude, ceci pourra affecter le projecteur (diminution de la fiabilité de certaines pièces, par exemple).

### Précautions de sécurité relatives à l'installation de l'appareil au plafond

- N'installez jamais le projecteur au plafond et ne le déplacez jamais par vos propres moyens. Veillez à vous adresser à un technicien Sony agréé (service payant).
- Lorsque vous installez l'appareil au plafond, veillez à utiliser un fil de sécurité, par exemple, pour l'empêcher de tomber. Confiez l'installation à un professionnel ou à un installateur expérimenté.

---

### Pour les revendeurs

- Quand le projecteur est fixé au plafond, un support Sony ou un support équivalent recommandé doit être utilisé pour l'installation.
- Vous devez fermer le couvercle du cabinet solidement lors de l'installation au plafond.

### Vérification des accessoires fournis

Vérifiez si le carton renferme bien tous les éléments suivants :

- Télécommande (1)
- Piles de format AA (R6) au manganèse (2)
- Cordon d'alimentation secteur (1)
- Bouchon d'objectif (1)

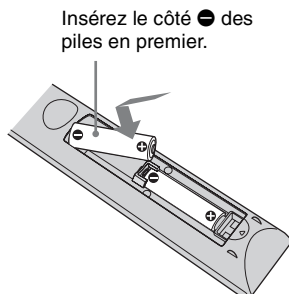
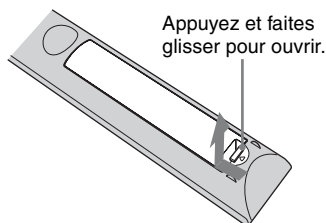
Lorsque vous avez acheté le projecteur, le bouchon d'objectif était placé sur ce dernier. Retirez ce bouchon d'objectif lorsque vous utilisez le projecteur.

- Guide de référence rapide (ce manuel) (1)
- Mode d'emploi (CD-ROM) (1)

Les éléments suivants sont également fournis avec le VPL-HW55ES.

- Lunettes 3D (2)
- Étui pour les lunettes 3D (2)
- Câble de charge USB (APY5244010020/SONY) (1,2 m) (2)
- Mode d'emploi pour les lunettes 3D (1)

### Insertion des piles dans la télécommande



### ATTENTION

Il y a danger d'explosion s'il y a un remplacement incorrect de la batterie. Remplacer uniquement avec une batterie du même type ou d'un type équivalent recommandé par le constructeur. Lorsque vous mettez la batterie au rebut, vous devez respecter la législation en vigueur dans le pays ou la région où vous vous trouvez.

### Mise en place des piles

Deux piles de format AA (R6) sont fournies pour la télécommande.

Pour éviter tout risque d'explosion, utilisez des piles de format AA (R6) au manganèse ou des piles alcalines.

### Précautions relatives à la manipulation de la télécommande

- Manipulez la télécommande avec précautions. Ne renversez aucun liquide sur la télécommande, ne la laissez pas tomber et ne marchez pas dessus.
- Ne placez pas la télécommande à proximité d'une source de chaleur, dans un endroit exposé aux rayons directs du soleil ou dans une pièce humide.

### Utilisation du manuel sur CD-ROM

Vous devez installer Adobe Reader sur votre ordinateur pour pouvoir lire ce manuel. Vous pouvez télécharger Adobe Reader gratuitement depuis le site Web d'Adobe.

- 1 Ouvrez le fichier index.htm situé sur le CD-ROM.
- 2 Sélectionnez le manuel que vous souhaitez lire, puis cliquez sur ce dernier.

### Remarque

Si vous avez perdu ou endommagé le CD-ROM, vous pouvez acheter un CD-ROM de remplacement auprès de votre représentant Sony ou du service clientèle Sony.

- 1 Positionner l'appareil de façon à ce que l'objectif soit parallèle à l'écran.
- 2 Après avoir branché le cordon d'alimentation au projecteur, brancher le cordon d'alimentation secteur à une prise murale.

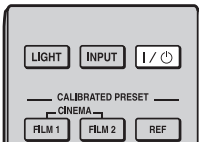
Partie supérieure de l'appareil

**ON/STANDBY**



S'allume en rouge.

- 3 Appuyer sur l'interrupteur I/⏻ (marche/veille) pour mettre le projecteur sous tension.



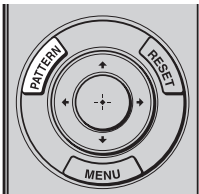
Partie supérieure de l'appareil

**ON/STANDBY**

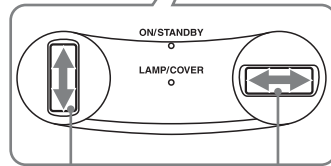
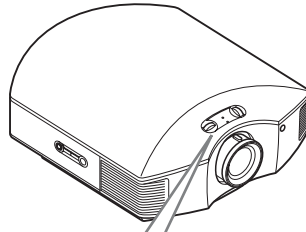


Clignote en vert pendant un moment (quelques dizaines de secondes) puis s'allume en vert.

- 4 Appuyez sur le bouton PATTERN pour afficher un signal de test en vue de procéder aux réglages.



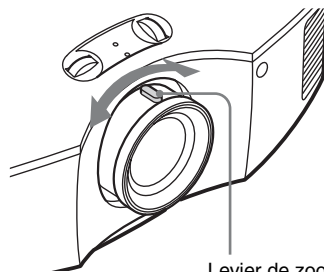
- 1 **Tourner les molettes de déplacement d'objectif pour régler la position de l'image.**



Pour régler la position verticale

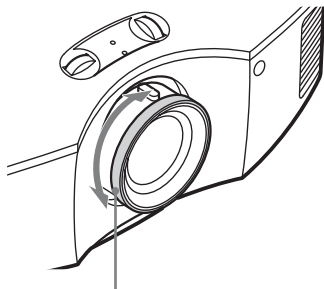
Pour régler la position horizontale

- 2 **Régler la taille de l'image à l'aide du levier de zoom.**



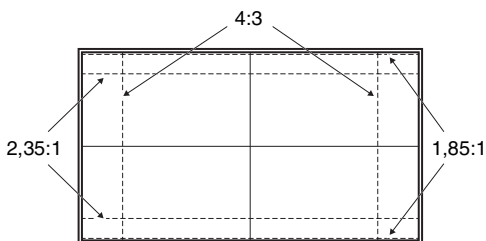
Levier de zoom

**③ Régler la mise au point à l'aide de la bague de mise au point.**



Bague de mise au point

**Fenêtre de réglage de l'objectif (mire d'essai)**



Les lignes pointillées indiquent les tailles d'écran de chaque rapport de format.

*Pour plus d'informations reportez-vous à « Connexions et préparatifs » dans le Mode d'emploi que vous trouverez sur le CD-ROM fourni.*

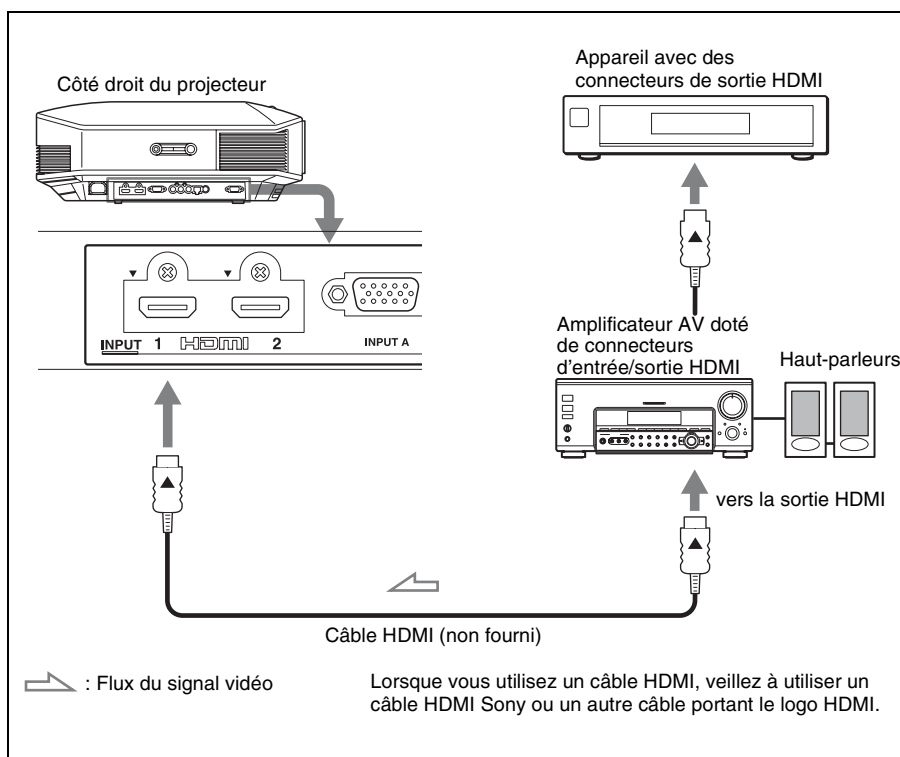


**Lors de l'exécution des raccordements, il faut procéder comme suit :**

- Mettre tous les appareils hors tension avant tout raccordement.
- Utiliser les câbles appropriés pour chaque raccordement.
- Insérer correctement les fiches de câble ; le mauvais raccordement des fiches peut entraîner un dysfonctionnement ou une piètre qualité d'image. Débrancher les câbles en les tenant par leur fiche. Ne pas tirer sur le câble lui-même.
- Se reporter au mode d'emploi de l'appareil à raccorder.

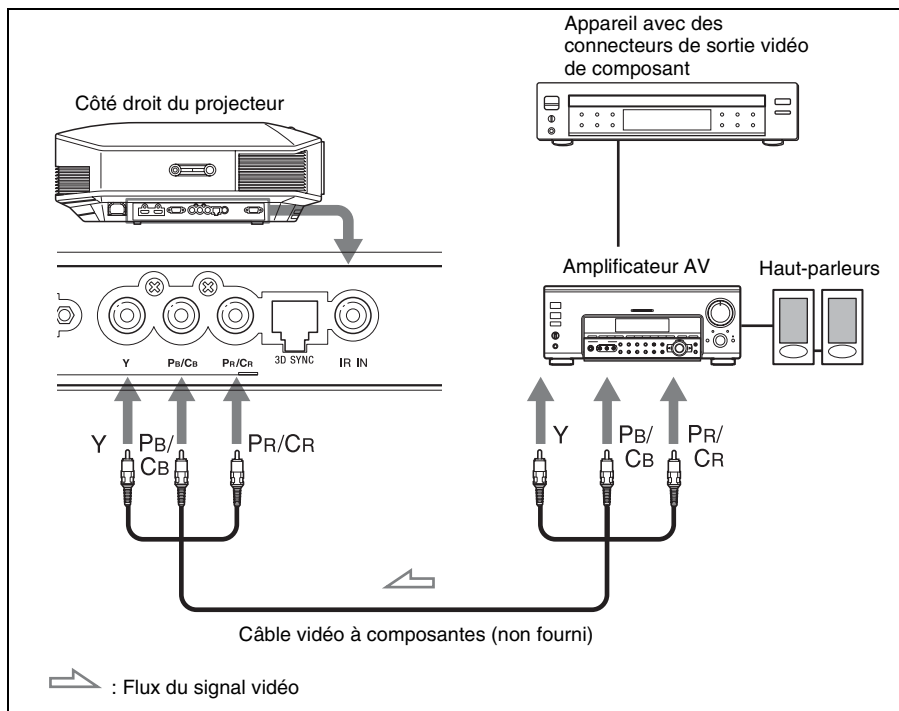
## Raccordement à un magnétoscope

**Pour raccorder à un appareil avec des connecteurs de sortie HDMI**



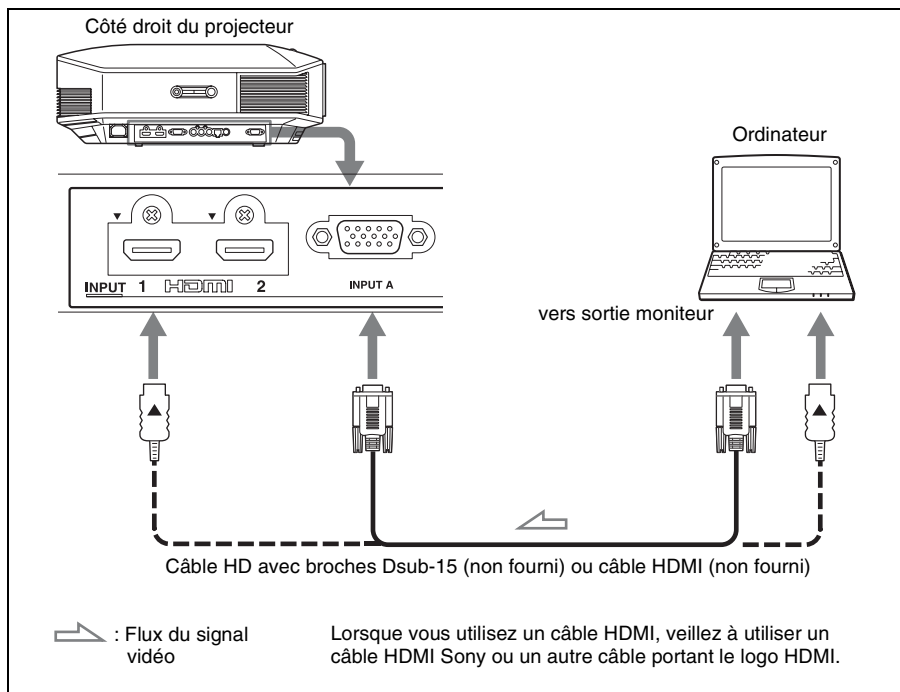
*Pour plus d'informations reportez-vous à « Connexions et préparatifs » dans le Mode d'emploi que vous trouverez sur le CD-ROM fourni.*

## Pour raccorder à un appareil avec des connecteurs de sortie vidéo de composant



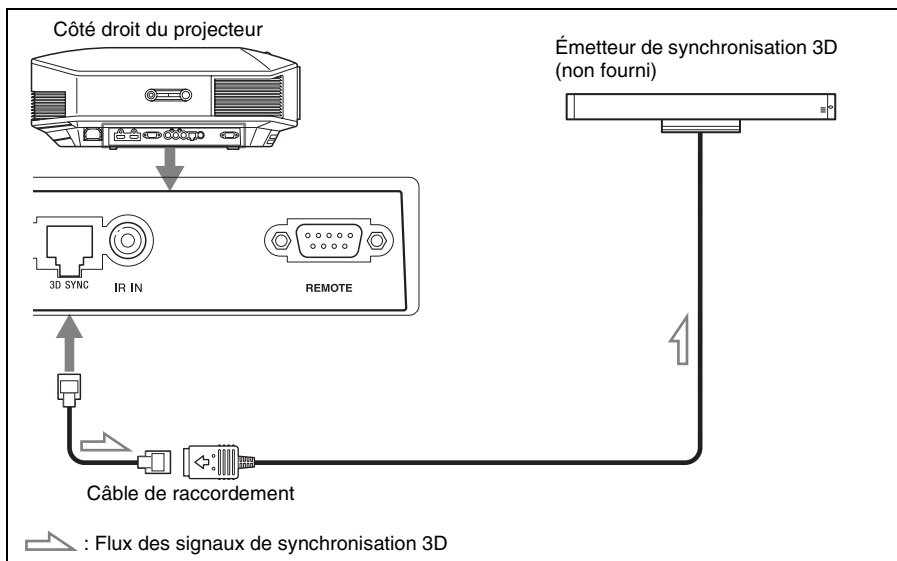
*Pour plus d'informations reportez-vous à « Connexions et préparatifs » dans le Mode d'emploi que vous trouverez sur le CD-ROM fourni.*

## Raccordement à un ordinateur



*Pour plus d'informations reportez-vous à « Connexions et préparatifs » dans le Mode d'emploi que vous trouverez sur le CD-ROM fourni.*

## Raccordement à un émetteur de synchronisation 3D



### Remarque

Vous pouvez utiliser un émetteur de synchronisation 3D distinct de cet appareil, en utilisant un câble LAN en option (de type droit).

Si des interférences d'une fréquence spécifique continue existent dans l'environnement d'utilisation de l'appareil, la synchronisation des signaux d'image 3D et des lunettes 3D peut être perdue. Dans ce cas, utilisez un câble LAN référencée Catégorie 7.

Lorsque vous visionnez des images 3D dans un environnement où les interférences sont encore plus nombreuses, utilisez l'émetteur interne.

*Pour plus d'informations reportez-vous à « Connexions et préparatifs » dans le Mode d'emploi que vous trouverez sur le CD-ROM fourni.*

## Etape 4

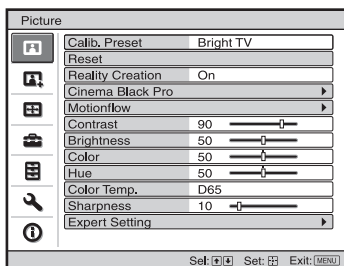
# Sélection de la langue du menu

Vous pouvez sélectionner l'une des 16 langues d'affichage du menu et d'autres affichages à l'écran. Le réglage en usine par défaut est l'anglais. Pour changer la langue actuelle du menu, choisissez la langue désirée grâce à l'écran de menu.

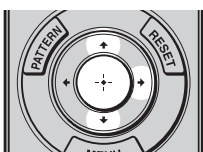
### 1 Appuyer sur MENU.



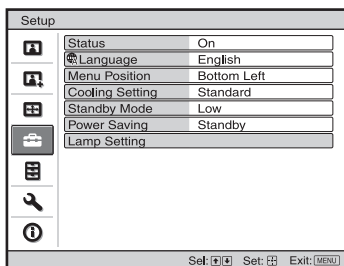
Le menu apparaît.



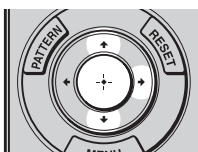
### 2 Appuyer sur ↑/↓ pour sélectionner le menu Setup, puis appuyer sur → ou ↻.



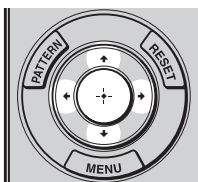
Les options de réglage du menu sélectionné apparaissent.



### 3 Appuyer sur ↑/↓ pour sélectionner « Language », puis appuyer sur → ou ↻.



### 4 Appuyer sur ↑/↓/←/→ pour sélectionner une langue, puis appuyer sur ↻.



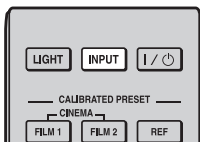
La langue du menu devient celle que vous avez sélectionnée.

### Pour faire disparaître le menu

Appuyer sur MENU.

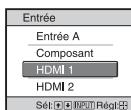
## Projection de l'image

- 1 Mettre sous tension le projecteur et le périphérique raccordé à l'appareil.
- 2 Appuyez sur INPUT pour afficher la palette d'entrée sur l'écran.



- 3 Sélectionnez le périphérique à partir duquel vous voulez afficher les images.

Appuyez plusieurs fois sur INPUT ou sur (entrée) pour sélectionner le périphérique à utiliser pour la projection.



Exemple : Pour afficher l'image provenant de l'équipement vidéo raccordé au connecteur HDMI 1 de cet appareil.

Le ventilateur s'arrête et l'indicateur ON/STANDBY cesse de clignoter en vert pour briller en rouge.

L'alimentation s'arrête complètement et vous pouvez débrancher le cordon d'alimentation.

### Remarque

Ne jamais débrancher le cordon d'alimentation lorsque l'indicateur clignote.

Vous pouvez mettre le projecteur hors tension en maintenant enfoncé l'interrupteur I/O (marche/veille) pendant environ 1 seconde, plutôt qu'en suivant les étapes ci-dessus.

## Mise hors tension

- 1 Appuyer sur l'interrupteur I/O (marche/veille).

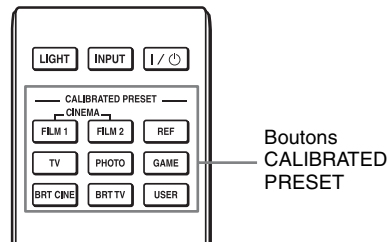
Le message « METTRE HORS TENSION? » apparaît sur l'écran.

- 2 Appuyer une nouvelle fois sur l'interrupteur I/O (marche/veille) avant que le message ne disparaisse. L'indicateur ON/STANDBY clignote en vert et le ventilateur continue à tourner pour abaisser la température interne. D'abord, l'indicateur ON/STANDBY clignote rapidement et à ce moment il n'est pas possible d'allumer la lampe avec l'interrupteur I/O (marche/veille).

*Pour plus d'informations reportez-vous à « Projection » dans le Mode d'emploi que vous trouverez sur le CD-ROM fourni.*

## Sélection du mode d'affichage de l'image

Appuyez sur un des boutons  
CALIBRATED PRESET.



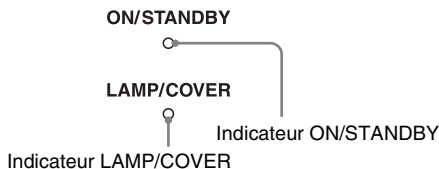
Paramètres	Description
CINEMA FILM 1	Qualité d'image adéquate pour reproduire les images claires et fortement dynamiques qui sont typiques des films positifs originaux.
CINEMA FILM 2	Qualité d'image adéquate pour reproduire les tons et couleurs riches qui sont typiques d'un cinéma.
REF	Un réglage de la qualité d'image adéquat lorsque vous désirez reproduire fidèlement la qualité d'image originale ou profiter de la qualité d'image sans aucun réglage.
TV	Qualité d'image adéquate pour regarder des programmes télévisés, du sport, des concerts, etc.
PHOTO	Idéal pour la projection d'images fixes provenant d'un appareil photo numérique.
GAME	Qualité d'image adéquate pour les jeux vidéo, avec des couleurs bien modulées et une réponse rapide.
BRT CINE	Qualité d'image adéquate pour regarder les films dans un environnement lumineux, comme un séjour.
BRT TV	Qualité d'image adéquate pour regarder des programmes TV, du sport, des concerts et d'autres images vidéo dans un environnement lumineux, comme un séjour.
USER	Règle la qualité de l'image selon vos souhaits puis enregistre les paramètres. Le réglage par défaut d'usine est similaire à « REF ».

*Pour plus d'informations reportez-vous à « Projection » dans le Mode d'emploi que vous trouverez sur le CD-ROM fourni.*

# Gestion des erreurs

## Indicateurs d'avertissement

L'indicateur ON/STANDBY ou LAMP/COVER s'allume ou clignote en cas de problème quelconque sur le projecteur.



Symptôme	Cause et remède
LAMP/COVER clignote en rouge. (Un taux de répétition de 2 clignotements)	<ul style="list-style-type: none"><li>→ Fermez bien le couvercle de la lampe, puis vissez-le solidement.</li><li>→ Fermez bien le support du filtre.</li></ul>
LAMP/COVER clignote en rouge. (Un taux de répétition de 3 clignotements)	<ul style="list-style-type: none"><li>→ La lampe a atteint la fin de sa durée de service. Remplacez la lampe.</li><li>→ La lampe a atteint une température élevée. Attendre que la lampe se refroidisse puis remettre le projecteur sous tension.</li></ul>
ON/STANDBY clignote en rouge. (Un taux de répétition de 4 clignotements)	<ul style="list-style-type: none"><li>→ Le ventilateur est défectueux. Consultez le service après-vente Sony.</li></ul>
ON/STANDBY clignote en rouge. (Un taux de répétition de 2 clignotements)	<ul style="list-style-type: none"><li>→ La température à l'intérieur du projecteur est anormalement élevée. S'assurer que rien ne bouche les orifices de ventilation et que le projecteur n'est pas utilisé à haute altitude.</li></ul>
ON/STANDBY clignote en rouge. (Un taux de répétition de 6 clignotements)	<ul style="list-style-type: none"><li>→ Appuyez sur le commutateur I/⏻ (marche/veille) pour mettre le projecteur sous tension. S'il ne se met pas sous tension, débrancher le cordon d'alimentation secteur, puis confirmer que l'indicateur ON/STANDBY est éteint. Rebrancher le cordon d'alimentation secteur après environ 10 secondes et remettre le projecteur sous tension. Si les indicateurs s'allument toujours, cela signifie que le problème vient de la source d'alimentation. Consultez le service après-vente Sony.</li></ul>

### Remarque

Lorsqu'un indicateur d'avertissement autre que celui ci-dessus commence à clignoter et que le symptôme persiste même après avoir effectué les opérations ci-dessus, consultez le service après-vente Sony.

*En cas de problème ou si un message d'erreur apparaît à l'écran, reportez-vous à « Dépannage » dans le Mode d'emploi que vous trouverez sur le CD-ROM fourni.*



## Remplacement de la lampe

Voici les outils dont vous avez besoin pour commencer :

- **Lampe pour projecteur LMP-H202 (en option)**
- **Un tournevis cruciforme standard**
- **Un chiffon (pour protéger des éraflures)**

La durée de service de la lampe utilisée comme source de lumière est limitée. Lorsque la lampe faiblit, la balance des couleurs de l'image devient bizarre, ou bien « Remplacer la lampe/filtre. » apparaît sur l'écran. La lampe est peut-être épuisée. Remplacez la lampe par une neuve sans tarder.

Utilisez une lampe LMP-H202 pour projecteur comme lampe de recharge. Un filtre à air est fourni avec la lampe pour projecteur LMP-H202. Lorsque l'on remplace la lampe, il est également temps de remplacer le filtre à air.

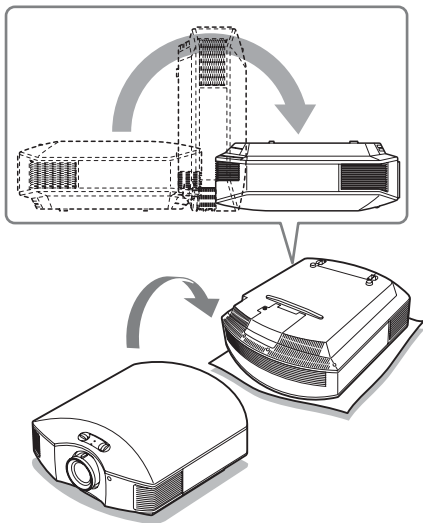
Il faut toujours remplacer le filtre à air par un neuf lorsque l'on remplace la lampe. Nettoyer également les orifices de ventilation (prise d'air).

### Mise en garde

- La lampe reste chaude après la mise hors tension du projecteur avec l'interrupteur I/O (marche/veille). Ne pas la toucher car vous pourriez vous brûler les doigts. Avant de remplacer la lampe, attendre au moins 1 heure pour lui permettre de se refroidir.
- Ne pas toucher la surface de l'objectif. Si on l'a touché, essuyer les empreintes digitales avec un chiffon doux.
- Prêter une attention spéciale au remplacement de la lampe lorsque le projecteur est installé au plafond.
- Lorsque vous retirez la lampe, assurez-vous qu'elle reste en position horizontale, puis soulevez-la directement vers le haut. N'inclinez pas la lampe. Si vous retirez la lampe alors qu'elle est inclinée et si elle se casse, des morceaux peuvent s'éparpiller et entraîner des blessures.
- Lors du retrait du filtre à air, procéder prudemment pour éviter que de la poussière ne pénètre dans le projecteur.

- Remplacer le filtre à air est crucial pour maintenir la bonne performance du projecteur ou pour empêcher son dysfonctionnement. Lorsqu'un message d'avertissement pour remplacer le filtre à air apparaît, remplacer aussitôt celui-ci.

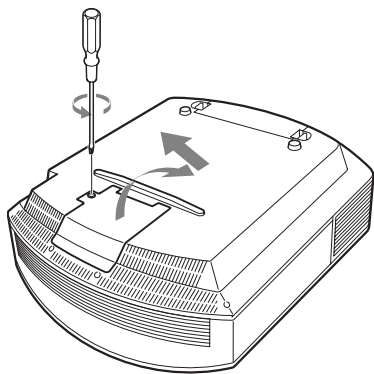
- 1 Mettre le projecteur hors tension et débrancher le cordon d'alimentation.
- 2 Lorsque le projecteur est sur une surface plane comme un bureau, etc., mettre un chiffon sous l'appareil pour éviter de rayer la surface. Retourner le projecteur tel qu'illustré, puis le placer sur le chiffon.



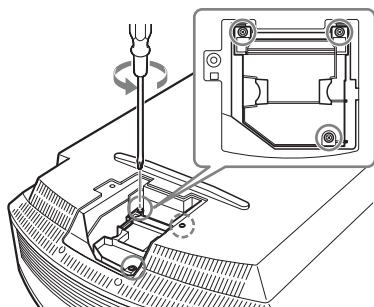
### Remarques

- Lorsque la lampe se casse, des morceaux peuvent s'éparpiller si vous ne retournez pas le projecteur. Ceci peut entraîner des blessures.
- S'assurer que le projecteur est posé sur une surface stable.

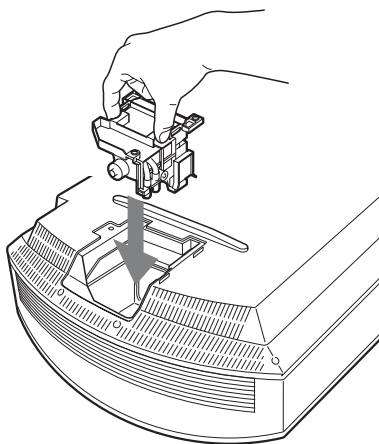
- 3** Desserrer la vis du couvercle de lampe avec un tournevis cruciforme, puis ouvrir le couvercle de lampe.



- 4** Dévisser les 3 vis de la lampe à l'aide du tournevis cruciforme. Maintenir la poignée vers le haut, et retirer la lampe.



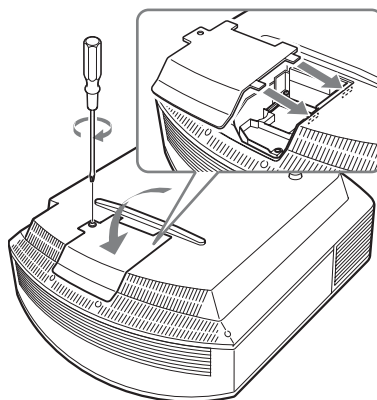
- 5** Tenir la poignée de la nouvelle lampe avec la main, puis pousser celle-ci à l'intérieur entièrement avant de resserrer les 3 vis.



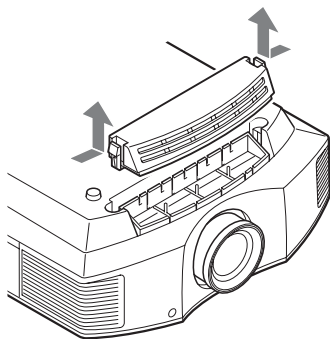
**Remarque**

Prendre garde de toucher le bloc optique à l'intérieur du projecteur.

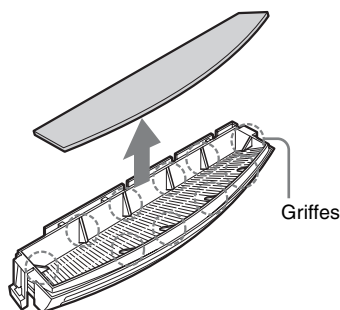
- 6** Fermer le couvercle de la lampe, puis le visser solidement.



## 7 Retirer le support à filtre.



## 8 Retirer le filtre à air.



## 9 Fixer le nouveau filtre à air de façon à ce qu'il entre dans chacune des griffes (10 positions) du support du filtre.

### Remarque

Fixer le filtre à air en l'alignant à la forme du support du filtre.

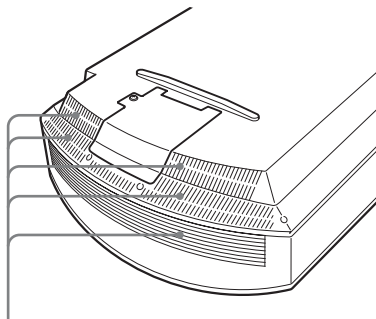
Ne pas toucher le ventilateur après avoir retiré le filtre à air installé au fond du projecteur.

## 10 Fixer le support à filtre.

### Remarque

Le projecteur ne se mettra sous tension que si le support à filtre est bien fermé.

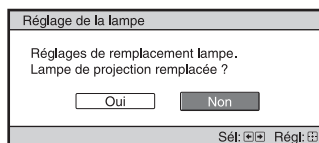
## 11 Dépoussiérer les orifices de ventilation (aspiration) à l'aide d'un chiffon.



Orifices de ventilation (prise d'air)

## 12 Remettre le projecteur dans sa position normale.

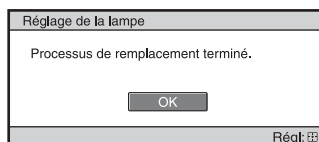
## 13 Mettre le projecteur sous tension, puis sélectionner l'élément de réglage désiré dans le menu Réglage . L'écran du menu ci-dessous s'affiche.



### Conseil

Si l'option « Verrou réglages » est définie sur « Niveau B », configurez-la une fois sur « Off ».

## 14 Sélectionner « Oui ».



### Mise en garde

Ne pas introduire les doigts dans la fente de remplacement de la lampe et veiller à ce qu'aucun liquide ou objet ne tombe à l'intérieur de la fente pour éviter tout risque d'électrocution ou d'incendie.

### Remarques

- Il faut utiliser une lampe LMP-H202 pour projecteur pour le remplacement. Si une lampe autre que LMP-H202 est utilisée, le projecteur risque de mal fonctionner.
- Assurez-vous de mettre le projecteur hors tension et de débrancher le cordon d'alimentation avant de remplacer la lampe, puis vérifiez que la lampe ON/STANDBY a déjà été éteinte.
- Le projecteur ne se mettra sous tension que si la lampe est bien mise en place.
- Le projecteur ne se mettra sous tension que si le couvercle de lampe est bien fermé.
- Pour annuler un message affiché à l'écran, appuyez soit sur le bouton de la télécommande, soit sur celui du panneau de contrôle du projecteur.

### Remarque

La lampe contient du mercure. La réglementation en matière de mise au rebut pour les tubes fluorescents dépend de votre lieu de résidence. Respectez la politique d'élimination des déchets de votre région.

## Mettre à disposition de la lampe usagée

### Pour les clients aux États-Unis

La lampe dans ce produit contient du mercure. La disposition de ces matériaux peut être réglementée suite à des considérations environnementales. Pour obtenir des informations de disposition ou de recyclage, veuillez communiquer avec vos autorités locales ou la Telecommunications Industry Association ([www.eiae.org](http://www.eiae.org)).

## Nettoyage du filtre à air

Lorsque « Nettoyer le filtre. » apparaît sur l'écran, vous devez nettoyer le filtre à air. Le filtre à air doit être nettoyé toutes les 1 500 heures. Cette fréquence dépend de l'environnement et de la manière dont le projecteur est utilisé. La fréquence de nettoyage approximative est de 1 500 heures. Après avoir nettoyé le filtre à air avec une solution désinfectante, séchez-le dans un endroit à l'abri de la lumière.

### Remarques

- Lorsque vous nettoyez le filtre à air, assurez-vous de ne pas l'endommager. Pour plus de détails sur la fixation et le retrait du filtre à air, reportez-vous à la rubrique « Remplacement de la lampe » Étapes 7 à 10. (page 21)
- Lors du retrait du filtre à air, procéder prudemment pour éviter que de la poussière ne pénètre dans le projecteur.
- Nettoyer le filtre à air est crucial pour maintenir la bonne performance du projecteur ou pour empêcher son dysfonctionnement. Lorsqu'un message d'avertissement pour nettoyer le filtre à air apparaît, nettoyez aussitôt celui-ci.



# Acerca del Manual de referencia rápida

Este Manual de referencia rápida explica la instalación y las operaciones básicas para proyectar imágenes. También presenta notas y precauciones importantes que deben tenerse muy en cuenta al manipular y utilizar esta unidad.

Consulte “Indicadores de aviso”, “Sustitución de la lámpara” y “Limpieza del filtro de aire” si es necesario.

Para obtener más información sobre las operaciones, consulte el Manual de instrucciones que se incluye en el CD-ROM suministrado.

## Paso 1

**Preparación ..... Página 8**

## Paso 2

**Instalación de la unidad ..... Página 9**

## Paso 3

**Conexión de la unidad..... Página 11**

## Paso 4

**Selección del idioma del menú  
..... Página 15**

## Paso 5

**Proyección ..... Página 16**

---

## Gestión de errores

**Indicadores de aviso ..... Página 18**

## Mantenimiento

**Sustitución de la lámpara ..... Página 19**

**Limpieza del filtro de aire..... Página 22**

Antes de poner en funcionamiento la unidad, lea detenidamente este manual y consérvelo para referencias futuras.

## ADVERTENCIA

**Para reducir el riesgo de electrocución, no exponga este aparato a la lluvia ni a la humedad. Para evitar descargas eléctricas, no abra el aparato. Solicite asistencia técnica únicamente a personal especializado.**

**ADVERTENCIA**  
**ESTE APARATO DEBE CONECTARSE A TIERRA.**

### ADVERTENCIA

Al instalar la unidad, incluya un dispositivo de desconexión fácilmente accesible en el cableado fijo, o conecte el enchufe de alimentación a una toma de corriente fácilmente accesible cerca de la unidad. Si se produce una anomalía durante el funcionamiento de la unidad, accione el dispositivo de desconexión para desactivar la alimentación o desconecte el enchufe de alimentación.

### ADVERTENCIA

- 1 Utilice un cable de alimentación (cable de alimentación de 3 hilos)/conector/enchufe del aparato recomendado con toma de tierra y que cumpla con la normativa de seguridad de cada país, si procede.
- 2 Utilice un cable de alimentación (cable de alimentación de 3 hilos)/conector/enchufe del aparato que cumpla con los valores nominales correspondientes en cuanto a tensión e intensidad.

Si tiene alguna duda sobre el uso del cable de alimentación/conector/enchufe del aparato, consulte a un técnico de servicio cualificado.

### Para los clientes de Europa

Este producto ha sido fabricado por, o en nombre de Sony Corporation, 1-7-1 Konan Minato-ku Tokyo, 108-0075 Japón. Las

consultas relacionadas con la conformidad del producto basadas en la legislación de la Unión Europea deben dirigirse al representante autorizado, Sony Deutschland GmbH, Hedelfinger Strasse 61, 70327 Stuttgart, Alemania. Para cualquier asunto relacionado con el servicio o la garantía, por favor diríjase a la dirección indicada en los documentos de servicio o garantía adjuntados con el producto.

---

# Precauciones

---

## Seguridad

- Compruebe que la tensión de funcionamiento de la unidad sea la misma que la del suministro eléctrico local.
- Si se introduce algún objeto sólido o líquido en la unidad, desenchúfela y haga que sea revisada por personal especializado antes de volver a utilizarla.
- Desenchufe la unidad de la toma mural cuando no vaya a utilizarla durante varios días.
- Para desconectar el cable, tire del enchufe. Nunca tire del propio cable.
- La toma mural debe encontrarse cerca de la unidad y ser de fácil acceso.
- La unidad no estará desconectada de la fuente de alimentación de CA mientras esté conectada a la toma mural, aunque haya apagado la unidad.
- No mire al objetivo mientras la lámpara esté encendida.
- No coloque la mano ni ningún objeto cerca de los orificios de ventilación. El aire que sale es caliente.

---

## Prevención del calentamiento interno

Después de apagar la alimentación con el interruptor I/O (encendido/espera), no desconecte la unidad de la toma mural mientras el ventilador de refrigeración esté en funcionamiento.

## Precaución

Esta unidad está equipada con orificios de ventilación de entrada y de salida. No bloquee dichos orificios ni coloque nada cerca de ellos, ya que si lo hace puede producirse un recalentamiento interno, causando el deterioro de la imagen o daños a la unidad.

---

## Embalaje

Guarde la caja y los materiales de embalaje originales, ya que resultarán útiles cuando tenga que embalar la unidad. Para obtener una máxima protección, vuelva a embalar la unidad como se embolsó originalmente en fábrica.

---

## Sobre la visualización de imágenes de vídeo en 3D

### Precauciones de seguridad

- Sólo debe utilizar las gafas 3D para ver imágenes de vídeo en 3D.
- Si observa efectos de oscilación o parpadeo, apague la iluminación de la sala.
- No es adecuado para que lo usen los niños sin la supervisión de un adulto.
- Vigile que los dedos no le queden atrapados en la articulación de las gafas 3D al abrir las varillas.
- No deje caer ni modifique estas gafas 3D.
- Si estas gafas se rompieran, aleje las piezas rotas de la boca y de los ojos.

---

## Proiettore LCD

El proyector LCD está fabricado con tecnología de alta precisión. No obstante, es posible que se observen pequeños puntos negros o brillantes (rojos, azules o verdes), o ambos, de forma continua en el proyector. Se trata de un resultado normal del proceso de fabricación y no indica fallo de funcionamiento.

Además, si utiliza varios proyectores LCD para proyectar en una pantalla, es posible que la reproducción de colores no sea igual en todos los proyectores, incluso si son del mismo modelo, ya que el balance de color puede estar configurado de manera distinta.



## Acerca de la condensación

Si la temperatura de la habitación en la que se instala el proyector cambia rápidamente, o si el proyector se traslada súbitamente de un lugar muy frío a uno muy cálido, es posible que se produzca condensación en el proyector. La condensación puede provocar errores de funcionamiento, por lo que debe prestarse atención al ajustar la temperatura del aire acondicionado. Si se produce condensación, deje el proyector encendido durante dos horas antes de utilizarlo.

SONY NO SE HACE RESPONSABLE POR DAÑOS DE NINGÚN TIPO DEBIDOS A LA OMISIÓN DE LAS MEDIDAS DE SEGURIDAD ADECUADAS EN DISPOSITIVOS DE TRANSMISIÓN, FUGAS DE DATOS INEVITABLES DERIVADAS DE LAS ESPECIFICACIONES DE TRANSMISIÓN O PROBLEMAS DE SEGURIDAD DE CUALQUIER TIPO.

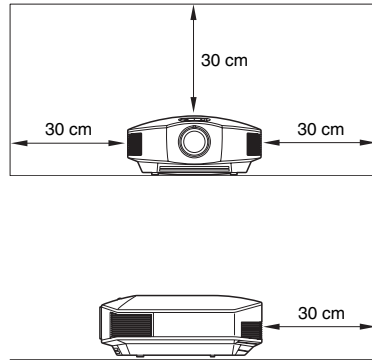
# Notas sobre la instalación y el uso

## Instalación inadecuada

No ponga la unidad en las siguientes situaciones, en las que puede sufrir daños o averías.

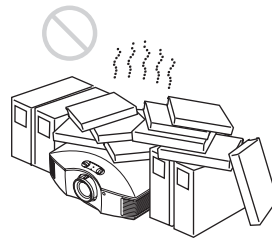
### Cerca de paredes

Para conservar el rendimiento y la fiabilidad de la unidad, deje espacio suficiente entre las paredes y la unidad, tal como se ilustra.

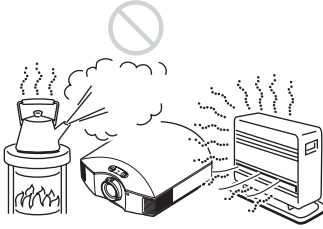


### Ubicaciones escasamente ventiladas

Deje un espacio superior a 30 cm alrededor de la unidad.

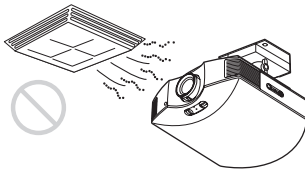


## Lugares cálidos y húmedos



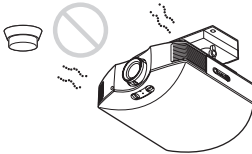
## Lugares expuestos a un flujo directo de aire frío o caliente procedente de un aparato de climatización

Si instala la unidad en una ubicación de estas características, la unidad puede averiarse debido a la condensación de humedad o al aumento de temperatura.



## Cerca de un sensor de calor o de humo

Puede producirse una avería del sensor.



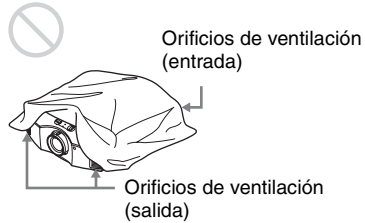
## Lugares con mucho polvo o humo excesivo



## Condiciones inadecuadas

No haga lo siguiente mientras usa la unidad.

### Bloqueo de los orificios de ventilación (entrada o salida)



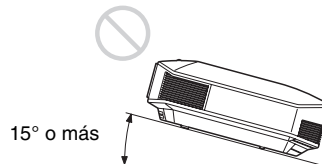
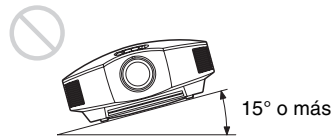
### Inclinación adelante/atrás e izquierda/derecha

Evite usar la unidad inclinada con un ángulo de más de 15 grados.

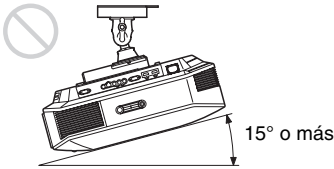
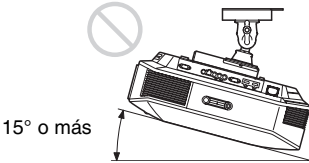
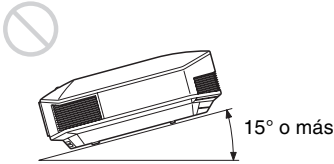
No instale la unidad en un lugar que no sea una superficie horizontal o el techo. La instalación de la unidad en tal ubicación puede provocar irregularidades en la uniformidad del color, o reducir la fiabilidad de los efectos de la lámpara.

Si la unidad está inclinada hacia arriba o hacia abajo, pueden producirse distorsiones trapecoidales en la imagen visualizada en la pantalla.


Coloque la unidad de modo que el objetivo quede paralelo a la pantalla.



- Cierre firmemente la tapa de la carcasa cuando lo instale en el techo.



### Instalación de la unidad a grandes altitudes

Si utiliza la unidad a altitudes de 1.500 m o más, ajuste la opción “Config. refrigeración” del menú Configuración  en “Alto”. Si no se establece este modo cuando se utiliza la unidad a altitudes elevadas pueden producirse efectos adversos, tales como la reducción de la fiabilidad de determinados componentes.

### Precauciones de seguridad para instalar la unidad en el techo

- Nunca instale el proyector en el techo ni lo desplace sin ayuda. Pida siempre consejo a un técnico de Sony cualificado (servicio de pago).
- Si instala la unidad en el techo, utilice un cable de seguridad o un sistema similar para evitar que la unidad se desprenda. Confíe siempre la instalación a un proveedor o instalador experimentado.

### Para los distribuidores

- Si se instala el proyector en el techo, es necesario utilizar un soporte Sony o un soporte equivalente recomendado.

## Comprobación de los accesorios suministrados

Compruebe que la caja contenga los siguientes elementos:

- Mando a distancia (1)
- Pilas de manganeso de tamaño AA (R6) (2)
- Cable de alimentación de CA (1)
- Tapa del objetivo (1)

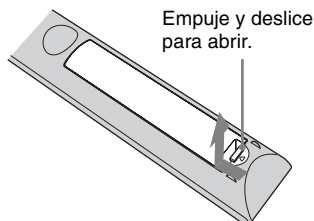
En el momento de la compra del proyector, la tapa del objetivo está colocada. Debe quitar la tapa del objetivo para utilizar el proyector.

- Manual de referencia rápida (este manual) (1)
- Manual de instrucciones (CD-ROM) (1)

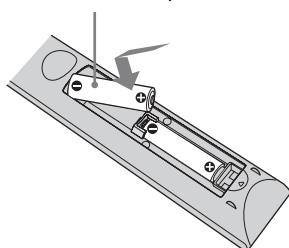
Con el modelo VPL-HW55ES se suministran también los siguientes productos:

- Gafas 3D (2)
- Funda para las gafas 3D (2)
- Cable de carga USB (1,2 m) (2)
- Manual de instrucciones de las gafas 3D (1)

## Introducción de las pilas en el mando a distancia



Introduzca primero el lado de la pila.



## PRECAUCIÓN

Peligro de explosión si se sustituye la batería por una del tipo incorrecto. Reemplace la batería solamente por otra del mismo tipo o de un tipo equivalente recomendado por el fabricante.

Cuando deseche la batería, debe cumplir con las leyes de la zona o del país.

## Colocación de las pilas

Se suministran dos pilas de tamaño AA (R6) para el mando a distancia.

Para evitar el riesgo de explosión, utilice pilas alcalinas o de manganeso de tamaño AA (R6).

## Precauciones para la manipulación del mando a distancia

- Manipule con cuidado el mando a distancia. No lo deje caer, ni lo pise, ni derrame ningún líquido sobre él.
- No ponga el mando a distancia cerca de fuentes de calor, bajo la luz directa del sol ni en lugares húmedos.

## Utilización del manual en CD-ROM

El manual puede leerse en un ordenador con Adobe Reader instalado.

Puede descargar la aplicación Adobe Reader de forma gratuita desde el sitio web de Adobe.

- 1 Abra el archivo index.htm en el CD-ROM.
- 2 Seleccione y haga clic en el manual que desee leer.

## Nota

Si ha perdido el CD-ROM o se le ha estropeado, podrá adquirir uno de sustitución en su distribuidor Sony o en un punto de asistencia Sony.

- 1 Coloque la unidad de modo que el objetivo quede paralelo a la pantalla.
- 2 Después de conectar el cable de CA al proyector, enchufe el cable de CA en una toma mural.

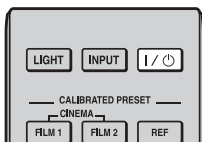
Parte superior de la unidad

**ON/STANDBY**



Se ilumina en rojo.

- 3 Pulse el interruptor I/O (encendido/espera) para encender el proyector.



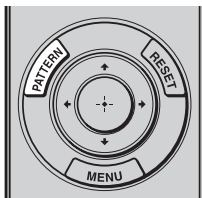
Parte superior de la unidad

**ON/STANDBY**

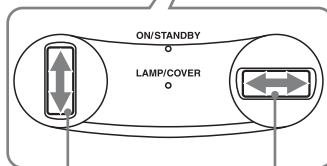
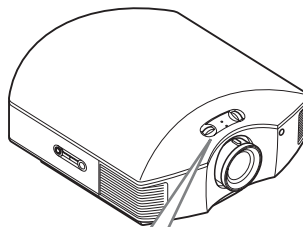


Parpadea en verde unos momentos (décimas de segundo) y, a continuación, se ilumina en verde.

- 4 Pulse el botón PATTERN para ver una señal de prueba y poder realizar los ajustes.



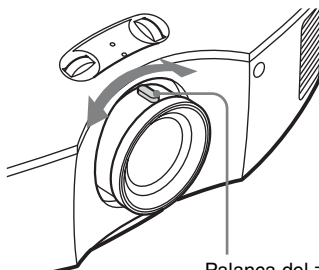
- 1 Mueva los dos mandos de desplazamiento del objetivo para ajustar la posición de la imagen.



Para ajustar la posición vertical

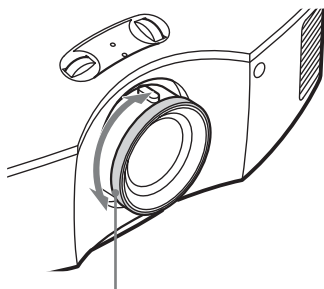
Para ajustar la posición horizontal

- 2 Ajuste el tamaño de la imagen con ayuda de la palanca del zoom.



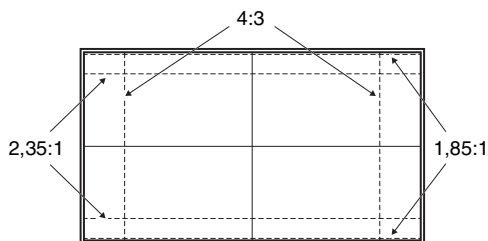
Palanca del zoom

**3 Ajuste el enfoque con ayuda del anillo de enfoque.**



Anillo de enfoque

**Ventana de ajuste del objetivo (patrón de prueba)**



Las líneas de puntos indican los tamaños de pantalla de cada relación de aspecto.

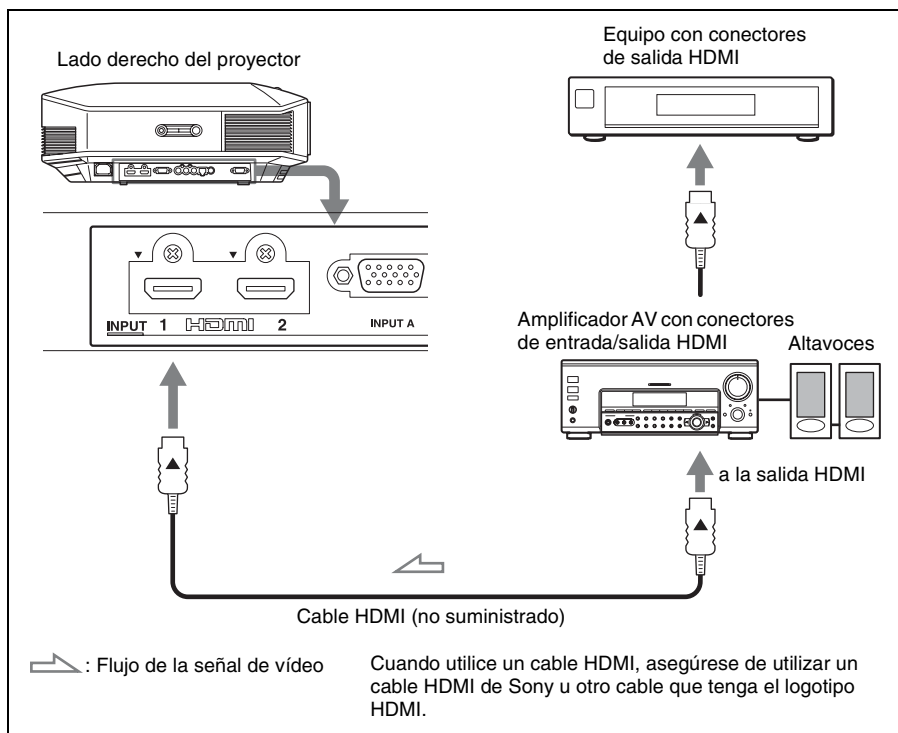
*Para obtener más información, consulte "Conexiones y preparativos" en el Manual de instrucciones que contiene el CD-ROM suministrado.*

## Cuando haga las conexiones, asegúrese de hacer lo siguiente:

- Apague todos los equipos antes de realizar cualquier conexión.
- Utilice los cables apropiados para cada conexión.
- Introduzca los enchufes de los cables correctamente; una mala conexión de las clavijas puede provocar una avería o una mala calidad de imagen. Cuando desconecte un cable, asegúrese de tirar del enchufe, no del cable.
- Consulte las instrucciones de funcionamiento del equipo conectado.

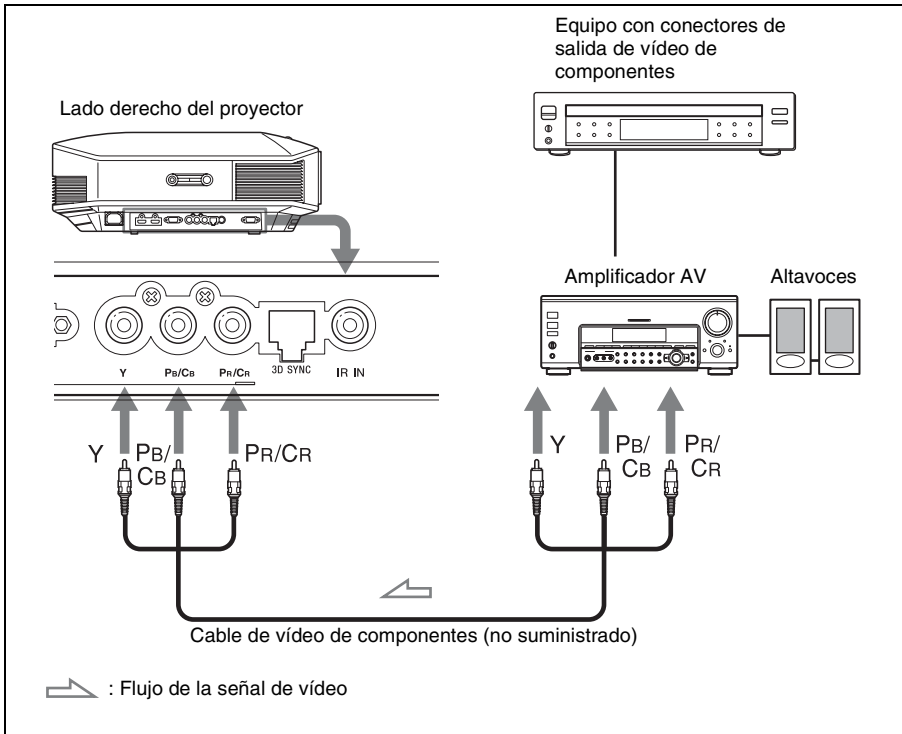
## Conexión a una videograbadora

### Conexión al equipo con conectores de salida de vídeo HDMI



Para obtener más información, consulte "Conexiones y preparativos" en el Manual de instrucciones que contiene el CD-ROM suministrado.

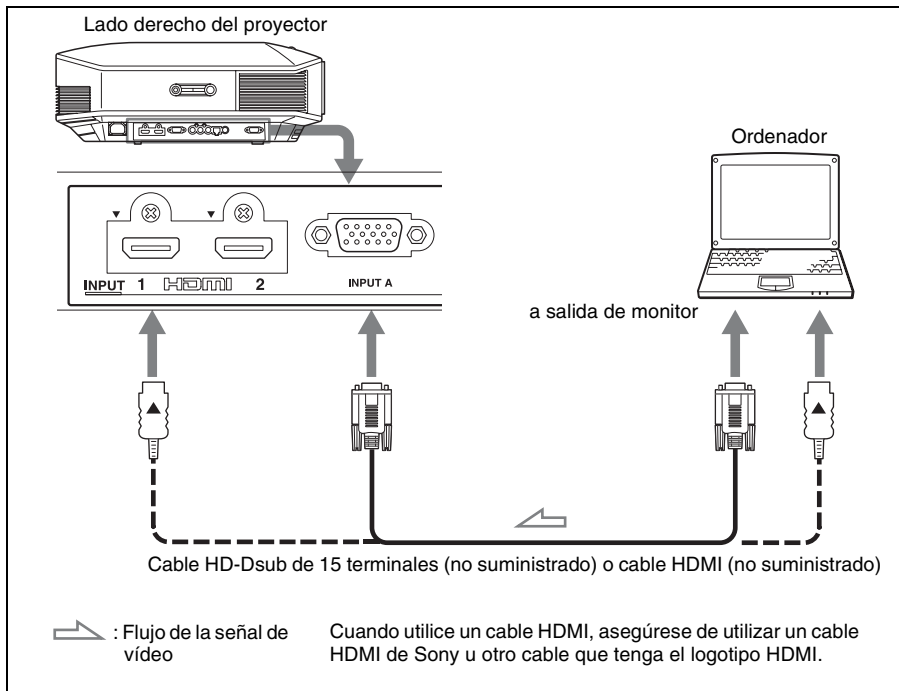
## Conexión al equipo con conectores de salida de vídeo de componentes



*Para obtener más información, consulte “Conexiones y preparativos” en el Manual de instrucciones que contiene el CD-ROM suministrado.*

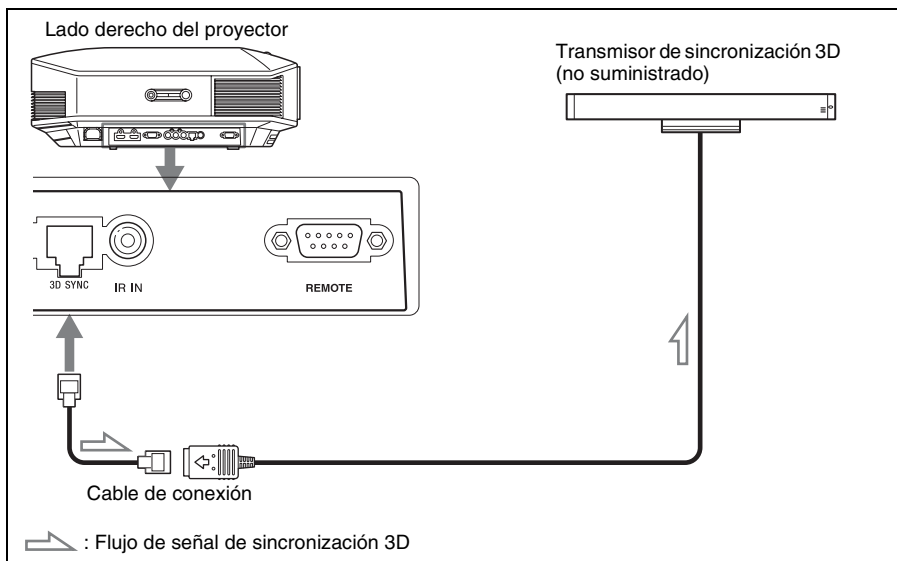


## Conexión a un ordenador



*Para obtener más información, consulte "Conexiones y preparativos" en el Manual de instrucciones que contiene el CD-ROM suministrado.*

## Conexión a un transmisor de sincronización 3D



### Nota

Puede utilizar un transmisor de sincronización 3D no integrado en esta unidad, a través de un cable LAN opcional (tipo recto).

Si el entorno de uso sufre interferencias de una determinada frecuencia específica, es posible que se pierda la sincronización entre las señales de imagen 3D y las gafas 3D. En ese caso, use un cable LAN de la categoría 7.

Cuando visualice imágenes 3D en un entorno con mayores interferencias, utilice el transmisor interno.

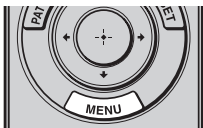
*Para obtener más información, consulte "Conexiones y preparativos" en el Manual de instrucciones que contiene el CD-ROM suministrado.*

## Paso 4

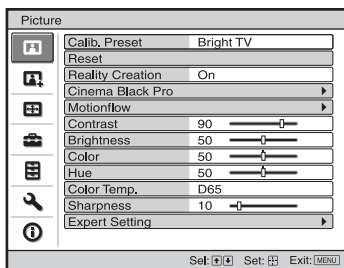
# Selección del idioma del menú

Es posible seleccionar el idioma que se desee entre los 16 existentes para el menú y demás indicaciones en pantalla. La configuración predeterminada de fábrica es el idioma inglés. Para cambiar el idioma del menú actual, establezca el idioma que desee con la pantalla de menús.

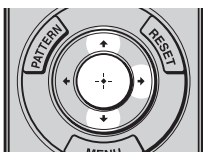
### 1 Pulse MENU.



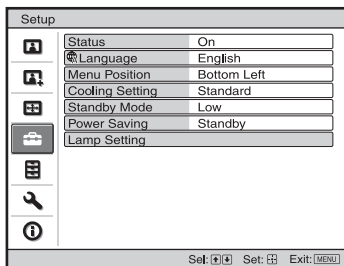
Aparecerá el menú.



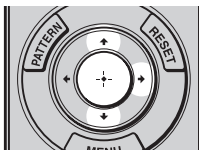
### 2 Pulse $\uparrow/\downarrow$ para seleccionar el menú Setup y pulse $\rightarrow$ o $\odot$ .



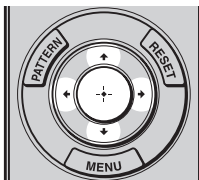
Aparecerán los elementos de configuración del menú seleccionado.



### 3 Pulse $\uparrow/\downarrow$ para seleccionar "Language" y pulse $\rightarrow$ o $\odot$ .



### 4 Pulse $\uparrow/\downarrow/\leftarrow/\rightarrow$ para seleccionar un idioma y, a continuación, pulse $\odot$ .

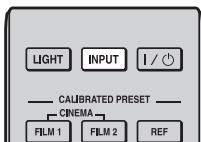


El menú aparecerá en el idioma seleccionado.

**Para que el menú desaparezca**  
Pulse MENU.

## Proyección de la imagen

- 1 Encienda el proyector y el equipo conectado a la unidad.
- 2 Pulse INPUT para visualizar la paleta de entrada en la pantalla.



- 3 Seleccione el equipo desde el que desea visualizar las imágenes. Pulse INPUT repetidamente o pulse ↑/↓/⊕ (entrar) para seleccionar el equipo desde el que desea realizar la proyección.



Ejemplo: para ver la imagen del equipo de vídeo conectado al conector HDMI 1 de esta unidad.

El ventilador se detiene y el indicador ON/STANDBY deja de parpadear en verde y se ilumina en rojo fijo.

Una vez apagado el equipo por completo, puede desconectar el cable de alimentación.

### Nota

No desconecte nunca el cable de alimentación mientras el indicador esté parpadeando. Puede apagar el proyector manteniendo pulsado el interruptor I/⏻ (encendido/espera) aproximadamente 1 segundo, en lugar de realizar los pasos anteriormente descritos.

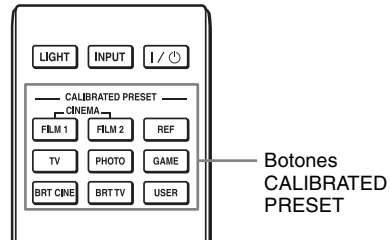
## Apagado de la alimentación

- 1 Pulse el interruptor I/⏻ (encendido/espera). En la pantalla aparece el mensaje “DESACTIVAR?”.
- 2 Pulse de nuevo el interruptor I/⏻ (encendido/espera) antes de que desaparezca el mensaje. El indicador ON/STANDBY parpadeará en verde y el ventilador seguirá funcionando para reducir el calentamiento interno. En primer lugar, el indicador ON/STANDBY parpadea rápidamente, y en este momento no podrá encender la lámpara con el interruptor I/⏻ (encendido/espera).

*Para obtener más información, consulte “Proyección” en el Manual de instrucciones que contiene el CD-ROM suministrado.*

## Selección del modo de visualización de la imagen

Pulse uno de los botones CALIBRATED PRESET.



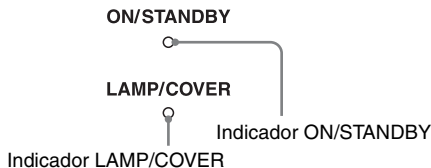
Elementos de configuración	Descripción
CINEMA FILM 1	Calidad de imagen adecuada para reproducir imágenes con gran dinamismo y claridad; calidad habitual del positivo de película.
CINEMA FILM 2	Calidad de imagen adecuada para reproducir los colores densos y de gran tonalidad; calidad habitual en salas de cine.
REF	Una configuración de calidad de imagen adecuada para reproducir de forma fiel la calidad original de la imagen, o para disfrutar de buena calidad de imagen sin tener que realizar ningún ajuste.
TV	Calidad de imagen adecuada para ver programas de televisión, deportes, conciertos, etc.
PHOTO	Calidad de imagen adecuada para proyectar imágenes fijas tomadas con una cámara digital.
GAME	Calidad de imagen adecuada para juegos; colores de alta modulación y respuesta rápida.
BRT CINE	Calidad de imagen adecuada para ver películas en entornos luminosos, como el salón.
BRT TV	Calidad de imagen adecuada para ver programas de televisión, conciertos, deportes y otras imágenes de vídeo en un entorno luminoso, como el salón.
USER	Puede ajustar la calidad de la imagen a su gusto y guardar el ajuste. El ajuste predeterminado de fábrica es el mismo que "REF".

*Para obtener más información, consulte "Proyección" en el Manual de instrucciones que contiene el CD-ROM suministrado.*

# Gestión de errores

## Indicadores de aviso

El indicador ON/STANDBY o LAMP/COVER se enciende o parpadea si el proyector tiene algún problema.



Síntoma	Causa y solución
LAMP/COVER parpadea en rojo. (Una frecuencia de repetición de 2 flashes)	<ul style="list-style-type: none"><li>→ Cierre firmemente la cubierta de la lámpara y, a continuación, apriete los tornillos.</li><li>→ Cierre firmemente el soporte del filtro.</li></ul>
LAMP/COVER parpadea en rojo. (Una frecuencia de repetición de 3 flashes)	<ul style="list-style-type: none"><li>→ La lámpara ha llegado al final de su vida útil. Sustituya la lámpara.</li><li>→ La lámpara ha alcanzado una alta temperatura. Espere a que se enfríe la lámpara y, a continuación, encienda de nuevo la alimentación.</li></ul>
ON/STANDBY parpadea en rojo. (Una frecuencia de repetición de 4 flashes)	<ul style="list-style-type: none"><li>→ El ventilador está averiado. Consulte con personal especializado de Sony.</li></ul>
ON/STANDBY parpadea en rojo. (Una frecuencia de repetición de 2 flashes)	<ul style="list-style-type: none"><li>→ La temperatura interna es anormalmente alta. Compruebe que no haya nada bloqueando los orificios de ventilación y si el proyector se está utilizando a altitudes elevadas.</li></ul>
ON/STANDBY parpadea en rojo. (Una frecuencia de repetición de 6 flashes)	<ul style="list-style-type: none"><li>→ Pulse el interruptor I/⏻ (encendido/espera) para encender el proyector. Si no está encendida la alimentación, desconecte el cable de alimentación CA y, a continuación confirme que la lámpara ON/STANDBY esté apagada. Después de unos 10 segundos, conecte de nuevo el cable de alimentación de CA y encienda de nuevo la alimentación. Si los indicadores continúan iluminándose, hay un problema en el sistema eléctrico. Consulte con personal especializado de Sony.</li></ul>

### Nota

Si empieza a parpadear un indicador de advertencia diferente de los anteriores y el síntoma persiste incluso después de completar los métodos anteriores, consulte al personal cualificado de Sony.

*Si se produce algún problema o aparece un mensaje de error en la pantalla, consulte "Solución de problemas" en el Manual de instrucciones que incluye el CD-ROM suministrado.*

## Sustitución de la lámpara

### Herramientas que necesita para empezar:

- Lámpara de proyector LMP-H202 (opcional)
- Destornillador Phillips estándar
- Paño (como protección contra arañazos)

La lámpara que se utiliza como fuente de luz tiene una determinada vida útil. Cuando la luz de la lámpara pierde intensidad, el balance de color de la imagen se vuelve extraño, o aparece el mensaje “Por favor, cambie la lámpara/filtro.”, es posible que la lámpara esté agotada. Sustituya inmediatamente la lámpara por una nueva. Utilice una lámpara de proyector LMP-H202 como lámpara de repuesto.

El filtro de aire se suministra con la lámpara de proyector LMP-H202. Cuando reemplace la lámpara será también el momento de reemplazar el filtro del aire.

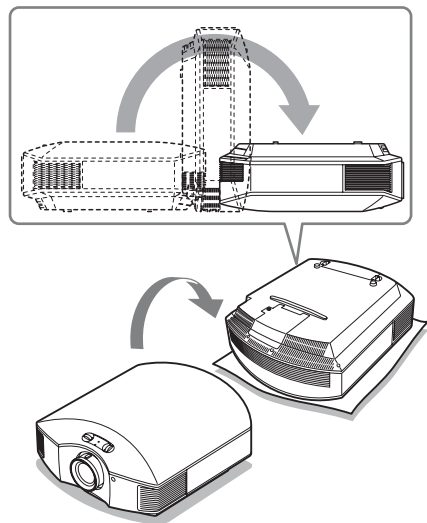
Siempre que reemplace la lámpara, asegúrese de reemplazar el filtro del aire por uno nuevo. Limpie también los orificios de ventilación (entrada).

### Precaución

- La lámpara continúa estando caliente después de haber apagado el proyector con el interruptor I/⏻ (encendido/espera). Si toca la lámpara, puede quemarse los dedos. Antes de sustituir la lámpara, espere al menos 1 hora hasta que se enfríe.
- No toque la superficie del objetivo. Si la toca, limpie las huellas con un paño suave.
- Ponga especial cuidado al reemplazar la lámpara cuando el proyector esté instalado en el techo.
- Al retirar la unidad de la lámpara, asegúrese de que se encuentra en posición horizontal y tire hacia arriba. No incline la unidad de la lámpara. Si tira hacia fuera de la unidad de la lámpara mientras se encuentra inclinada y la lámpara se rompe, los fragmentos pueden dispersarse y provocar lesiones.
- Cuando retire el filtro del aire, tenga cuidado para evitar que caiga polvo en el proyector.
- La sustitución del filtro del aire es crucial para mantener el buen rendimiento del

proyector y para evitar que se averíe. Cuando aparezca un mensaje de advertencia para reemplazar el filtro del aire, reemplace inmediatamente el filtro del aire.

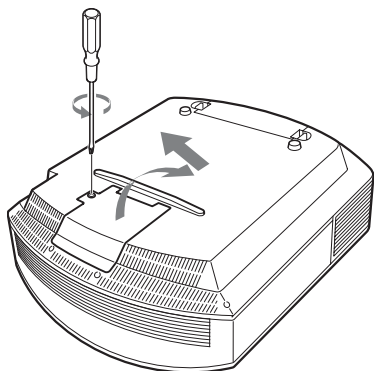
- 1 Apague el proyector y desenchufe el cable de alimentación de CA.
- 2 Cuando coloque el proyector sobre una superficie plana tal como una mesa de escritorio, etc., coloque un paño para evitar rayar la superficie. Invierta el proyector como se muestra y, a continuación, colóquelo sobre el paño.



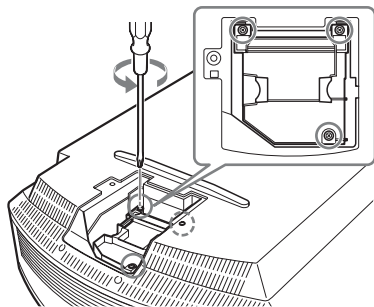
### Notas

- Cuando la lámpara se daña, los fragmentos pueden dispersarse si no se invierte el proyector. Esto puede provocar lesiones.
- Asegúrese de que el proyector se encuentra en una superficie estable.

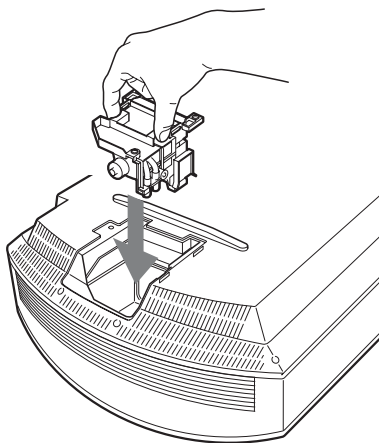
- 3** Afloje el tornillo de la cubierta de la lámpara con un destornillador Philips y, a continuación, abra la cubierta de la lámpara.



- 4** Afloje los 3 tornillos de la unidad de la lámpara con el destornillador Phillips. Levante el asa y, a continuación, tire de la lámpara para extraerla.



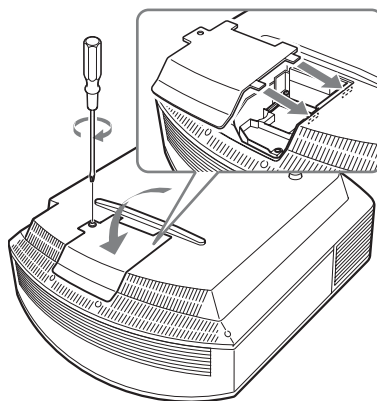
- 5** Sujete el asa de la nueva lámpara, empújela hacia dentro hasta el fondo y, a continuación apriete los 3 tornillos.



**Nota**

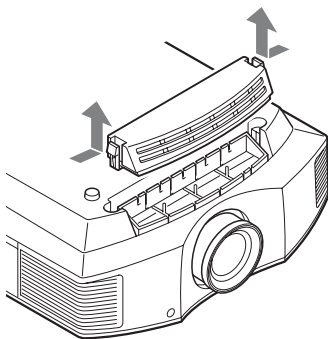
Tenga cuidado de no tocar el bloque óptico del interior de la unidad.

- 6** Cierre la cubierta de la lámpara y, a continuación, apriete los tornillos.

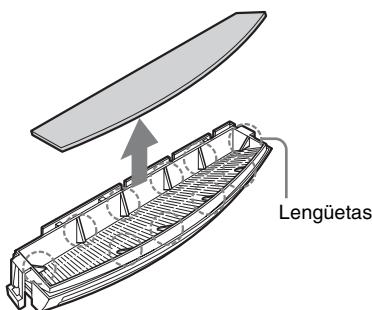




**7** Quite el soporte del filtro.



**8** Extraiga el filtro de aire.



**9** Coloque el nuevo filtro de aire de forma que encaje en las lengüetas (10 posiciones) del soporte del filtro.

**Nota**

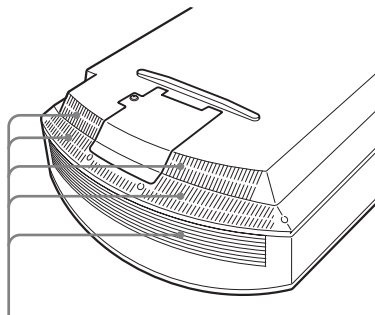
Monte el filtro de aire alineándolo con la forma del soporte del filtro. Además, no toque el ventilador después de retirar el filtro del aire, que se encuentra a cierta profundidad en el interior del proyector.

**10** Monte el soporte del filtro.

**Nota**


El proyector no se encenderá si el soporte del filtro no está bien cerrado.

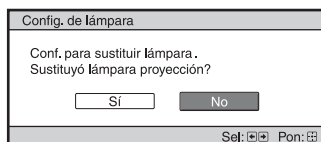
**11** Limpie el polvo de los orificios de ventilación (entrada) con un paño suave.



Orificios de ventilación (entrada)

**12** Vuelva a colocar el proyector en su posición original.

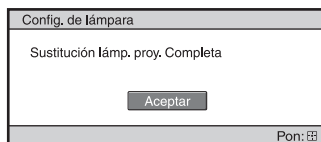
**13** Encienda el proyector y, a continuación, seleccione el elemento de configuración que desee en el menú Configuración . Se mostrará la pantalla de menú siguiente.



**Sugerencia**

Si “Bloqueo ajustes” está ajustado en “Nivel B”, ajústelo en “No” una vez.

**14** Seleccione “Sí”.



### Precaución

Para evitar descargas eléctricas o incendios, no introduzca las manos en el compartimento de sustitución de la lámpara, ni permita que se introduzcan líquidos ni ningún otro objeto.

### Notas

- Asegúrese de utilizar la lámpara de proyector LMP-H202 para la sustitución. Si utiliza otras lámparas que no sean la LMP-H202, el proyector puede averiarse.
- No olvide apagar el proyector y desenchufar el cable de alimentación antes de sustituir la lámpara; a continuación, compruebe que la lámpara ON/STANDBY está apagada.
- El proyector no se encenderá si la lámpara no está bien instalada.
- El proyector no se encenderá si la cubierta de la lámpara no está bien cerrada.
- Para cancelar un mensaje que se muestra en la pantalla, pulse el botón del mando a distancia o del panel de control del proyector.

### Nota

Esta lámpara contiene mercurio. Las reglas para desechar tubos fluorescentes usados dependen de donde viva. Siga la normativa de desecho de residuos de su zona.

### Limpeza del filtro de aire

Cuando aparezca en la pantalla “Por favor limpie el filtro.” debe limpiar el filtro de aire. El filtro de aire debe limpiarse cada 1.500 horas. Este valor varía en función del entorno y de cómo se utilice el proyector. La cifra de 1.500 horas es aproximada. Después de lavar el filtro de aire con una solución detergente suave, déjelo secar a la sombra.

### Notas

- Cuando limpie el filtro de aire, asegúrese de no dañarlo. Para ver información detallada sobre cómo montar y retirar el filtro de aire, consulte los pasos 7 al 10 de “Sustitución de la lámpara”. (página 21)
- Cuando retire el filtro del aire, tenga cuidado para evitar que caiga polvo en el proyector.
- La limpieza del filtro del aire es crucial para mantener el buen rendimiento del proyector y para evitar que se averíe. Cuando aparezca un mensaje de advertencia para limpiar el filtro del aire, limpie inmediatamente el filtro del aire.



# Informationen zur Kurzreferenz

Diese Kurzreferenz beschreibt die Installation und die grundlegenden Bedienungsvorgänge zum Projizieren von Bildern. Es werden auch wichtige Hinweise und Vorsichtsmaßnahmen erläutert, die Sie bei Handhabung und Gebrauch dieses Geräts beachten müssen. Schlagen Sie bei Bedarf unter „Warnanzeigen“, „Austauschen der Lampe“ und „Reinigen des Luftfilters“ nach.

Einzelheiten zu den Bedienungsvorgängen finden Sie in der Bedienungsanleitung auf der mitgelieferten CD-ROM.

## Schritt 1

**Vorbereitung.....Seite 8**

## Schritt 2

**Installieren des Geräts .....Seite 9**

## Schritt 3

**Anschließen des Geräts .....Seite 11**

## Schritt 4

**Wählen der Menüsprache .....Seite 15**

## Schritt 5

**Projizieren .....Seite 16**

---

**Störungsbehebung**    **Warnanzeigen .....Seite 18**

**Wartung**                    **Austauschen der Lampe.....Seite 19**

**Reinigen des Luftfilters .....Seite 22**

Bitte lesen Sie dieses Handbuch vor der Benutzung des Geräts sorgfältig durch und bewahren Sie es zum späteren Nachschlagen auf.

## WARNUNG

**Um die Gefahr von Bränden oder elektrischen Schlägen zu verringern, darf dieses Gerät nicht Regen oder Feuchtigkeit ausgesetzt werden. Um einen elektrischen Schlag zu vermeiden, darf das Gehäuse nicht geöffnet werden. Überlassen Sie Wartungsarbeiten stets nur qualifiziertem Fachpersonal.**

**WARNUNG  
DIESES GERÄT MUSS GEERDET  
WERDEN.**

### WARNUNG

Beim Einbau des Geräts ist daher im Festkabel ein leicht zugänglicher Unterbrecher einzufügen, oder der Netzstecker muss mit einer in der Nähe des Geräts befindlichen, leicht zugänglichen Wandsteckdose verbunden werden. Wenn während des Betriebs eine Funktionsstörung auftritt, ist der Unterbrecher zu betätigen bzw. der Netzstecker abzuziehen, damit die Stromversorgung zum Gerät unterbrochen wird.

### WARNUNG

- 1 Verwenden Sie ein geprüftes Netzkabel (3-adriges Stromkabel)/einen geprüften Geräteanschluss/einen geprüften Stecker mit Schutzkontakten entsprechend den Sicherheitsvorschriften, die im betreffenden Land gelten.
- 2 Verwenden Sie ein Netzkabel (3-adriges Stromkabel)/einen Geräteanschluss/einen Stecker mit den geeigneten Anschlusswerten (Volt, Ampere).

Wenn Sie Fragen zur Verwendung von Netzkabel/Geräteanschluss/Stecker haben, wenden Sie sich bitte an qualifiziertes Kundendienstpersonal.

### Für Kunden in Europa

Dieses Produkt wurde von oder für Sony Corporation, 1-7-1 Konan Minato-ku Tokio, 108-0075 Japan hergestellt.

Bei Fragen zur Produktkonformität auf Grundlage der Gesetzgebung der Europäischen Union kontaktieren Sie bitte den Bevollmächtigten Sony Deutschland GmbH, Hedelfinger Strasse 61, 70327 Stuttgart, Deutschland. Für Kundendienst oder Garantieangelegenheiten wenden Sie sich bitte an die in den Kundendienst- oder Garantiedokumenten genannten Adressen.

### Für Kunden in Deutschland

Entsorgungshinweis: Bitte werfen Sie nur entladene Batterien in die Sammelboxen beim Handel oder den Kommunen. Entladen sind Batterien in der Regel dann, wenn das Gerät abschaltet und signalisiert „Batterie leer“ oder nach längerer Gebrauchsdauer der Batterien „nicht mehr einwandfrei funktioniert“. Um sicherzugehen, kleben Sie die Batteriepole z.B. mit einem Klebestreifen ab oder geben Sie die Batterien einzeln in einen Plastikbeutel.

DE

---

# Vorsichtsmaßnahmen

---

## Info zur Sicherheit

- Vergewissern Sie sich, dass die Betriebsspannung Ihres Gerätes mit der Spannung Ihrer örtlichen Stromversorgung übereinstimmt.
- Sollten Flüssigkeiten oder Fremdkörper in das Gehäuse gelangen, ziehen Sie das Netzkabel ab, und lassen Sie das Gerät von qualifiziertem Fachpersonal überprüfen, bevor Sie es wieder benutzen.
- Soll das Gerät einige Tage lang nicht benutzt werden, trennen Sie es von der Netzsteckdose.
- Ziehen Sie zum Trennen des Kabels am Stecker. Niemals am Kabel selbst ziehen.
- Die Netzsteckdose sollte sich in der Nähe des Gerätes befinden und leicht zugänglich sein.
- Das Gerät ist auch im ausgeschalteten Zustand nicht vollständig vom Stromnetz getrennt, solange der Netzstecker noch an der Netzsteckdose angeschlossen ist.
- Blicken Sie bei eingeschalteter Lampe nicht in das Objektiv.
- Halten Sie Ihre Hände oder Gegenstände von den Lüftungsöffnungen fern. Die austretende Luft ist heiß.

---

## Info zur Verhütung eines internen Wärmestaus

Nachdem Sie den Projektor mit dem Schalter I/⏻ (Ein/Bereitschaft) ausgeschaltet haben, trennen Sie ihn nicht von der Netzsteckdose, solange der Lüfter noch läuft.

### Vorsicht

Dieses Gerät ist mit Lüftungsöffnungen (Einlass und Auslass) ausgestattet. Der Luftstrom durch diese Öffnungen darf nicht blockiert oder durch in der Nähe abgestellte Gegenstände behindert werden, weil es sonst zu einem internen Wärmestau kommen kann, der eine Verschlechterung der Bildqualität oder Beschädigung des Geräts zur Folge haben kann.

---

## Info zur Wiederverpackung

Bewahren Sie den Originalkarton und das Verpackungsmaterial gut auf für den Fall, dass Sie das Gerät später einmal transportieren müssen. Am besten geschützt ist das Gerät beim Transport, wenn Sie es wieder so verpacken, wie es geliefert wurde.

---

## Hinweis zum Betrachten von 3D-Videobildern

### Sicherheitshinweise

- Verwenden Sie die 3D-Brille ausschließlich zum Betrachten von 3D-Videobildern.
- Wenn Sie Flimmern oder Flackern bemerken, schalten Sie die Raumbelichtung aus.
- Nicht geeignet für Kinder ohne angemessene Aufsicht durch Erwachsene.
- Achten Sie darauf, sich nicht die Finger in den Scharnieren der 3D-Brille einzuklemmen, wenn Sie die Brillenbügel einklappen.
- Lassen Sie die 3D-Brille nicht fallen und nehmen Sie keine Veränderungen daran vor.
- Wenn ein Brillenglas springt, achten Sie darauf, sich durch die Bruchstücke keine Verletzungen an Mund oder Augen zuzuziehen.

---

## Info zum LCD-Projektor

Der LCD-Projektor wurde unter Einsatz von Präzisionstechnologie hergestellt. Es kann jedoch sein, dass im Projektionsbild des LCD-Projektors ständig winzige schwarze und/oder helle Punkte (rote, blaue oder grüne) enthalten sind. Dies ist ein normales Ergebnis des Herstellungsprozesses und ist kein Anzeichen für eine Funktionsstörung. Wenn Sie mehrere LCD-Projektoren für die Projektierung auf einer Leinwand verwenden, kann außerdem selbst bei identischen Modellen die Farbwiedergabe bei den verschiedenen Projektoren variieren, da für jeden Projektor eigene Einstellungen der Farbbalance vorgenommen werden können.

## Hinweis zur Kondensation

Wenn sich die Temperatur in dem Raum, in dem der Projektor aufgestellt ist, schnell ändert oder wenn der Projektor plötzlich von einem kalten an einen warmen Ort gebracht wird, kann es im Inneren des Projektors zu einer Kondensation kommen. Da die Kondensation zu einer Fehlfunktion führen kann, sollten Sie bei den Temperatureinstellungen einer Klimaanlage vorsichtig sein.

Lassen Sie den Projektor vor der Verwendung ungefähr zwei Stunden eingeschaltet, wenn es zu einer Kondensation gekommen ist.

SONY KANN KEINE HAFTUNG FÜR SCHÄDEN JEDER ART DURCH UNTERLASSENE GEEIGNETE SICHERHEITSMASSNAHMEN AN ÜBERTRAGUNGSGERÄTEN, DURCH UNVERMEIDBARE DATENPREISGABE AUFGRUND DER ÜBERTRAGUNGSSPEZIFIKATIONEN ODER DURCH SICHERHEITSPROBLEME JEDLICHER ART ÜBERNEHMEN.

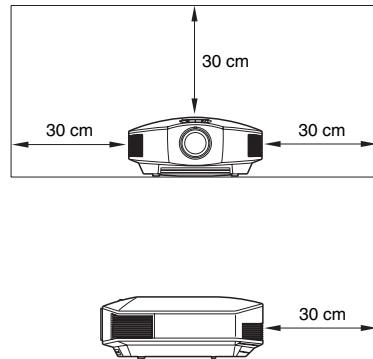
## Hinweise zu Installation und Gebrauch

### Ungeeignete Installation

Stellen Sie das Gerät nicht an folgenden Orten auf, weil es sonst zu einer Funktionsstörung oder Beschädigung des Geräts kommen kann.

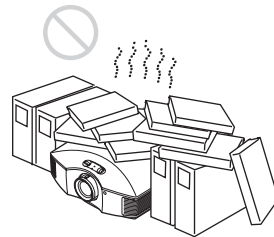
### In der Nähe einer Wand

Um die Leistung und Zuverlässigkeit aufrecht zu erhalten, lassen Sie zwischen dem Gerät und einer vorhandenen Wand so viel Abstand wie in der Abbildung dargestellt.



### Schlecht belüftete Orte

Halten Sie einen Abstand von mindestens 30 cm um das Gerät ein.

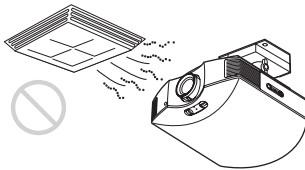


## Heiße und feuchte Orte



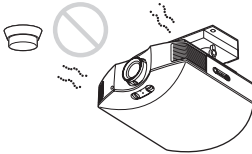
### Orte, die direkter Kalt- oder Warmluft von einer Klimaanlage ausgesetzt sind

Die Installation des Geräts an einem solchen Ort kann zu einer Funktionsstörung führen, die durch Feuchtigkeitskondensation oder Temperaturanstieg verursacht wird.



### In der Nähe eines Wärme- oder Rauchsensensors

Es kann zu einer Funktionsstörung des Sensors kommen.



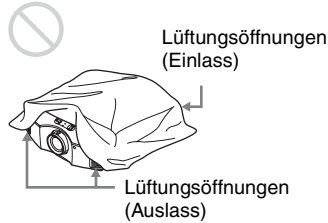
### Sehr staubige oder extrem rauchige Orte



## Ungeeignete Bedingungen

Führen Sie während der Benutzung des Geräts keinen der folgenden Vorgänge durch.

### Blockieren der Lüftungsöffnungen (Einlass oder Auslass)



### Neigen nach vorn/hinten und links/rechts

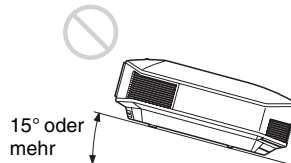
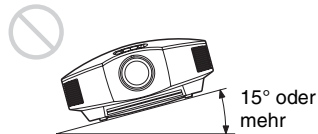
Vermeiden Sie die Benutzung des Geräts bei einer Neigung von mehr als 15°.

Installieren Sie das Gerät nur auf einer ebenen Fläche oder an der Decke.

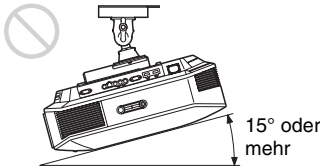
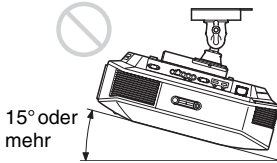
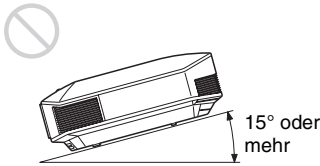
Andernfalls kann es zu Farbunregelmäßigkeiten oder einer Reduzierung der Zuverlässigkeit der Lampeneffekte führen.

Wenn das Gerät nach oben oder unten geneigt ist, wird das Bild auf der Leinwand möglicherweise trapezförmig verzerrt angezeigt.

Positionieren Sie das Gerät so, dass das Objektiv parallel zur Leinwand ausgerichtet ist.








## Für Händler

- Wenn der Projektor an der Decke montiert wird, muss zur Installation eine Sony-Halterung oder eine gleichwertige, empfohlene Vorrichtung verwendet werden.
- Sorgen Sie bei Deckenmontage für eine einwandfreie Sicherung der Gehäuseabdeckung.

## Bei Installation des Gerätes in Höhenlagen

Wenn Sie das Gerät in Höhenlagen über 1.500 m benutzen, setzen Sie „Kühlungseinstellung“ im Menü Einrichtung  auf „Hoch“. Wird dieser Modus bei Verwendung des Geräts in Höhenlagen nicht aktiviert, kann dies negative Folgen haben, wie z.B. die Verschlechterung der Zuverlässigkeit bestimmter Komponenten.

## Sicherheitshinweise zur Montage des Geräts an der Decke

- Montieren Sie den Projektor auf keinen Fall selbst an der Decke und hängen Sie ihn nicht alleine um. Wenden Sie sich dazu unbedingt an qualifizierte Sony-Fachleute (kostenpflichtig).
- Verwenden Sie bei der Montage des Geräts an der Decke unbedingt einen Sicherungsdraht o. Ä., damit das Gerät nicht herunterfallen kann. Beauftragen Sie erfahrenes Fachpersonal mit der Montage.

## Überprüfen des mitgelieferten Zubehörs

Prüfen Sie die Verpackung und vergewissern Sie sich, dass sie folgende Elemente enthält:

- Fernbedienung (1)
- R6-Manganbatterien der Größe AA (2)
- Netzkabel (1)
- Objektivkappe (1)

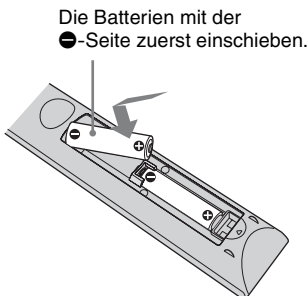
Beim Kauf des Projektors sitzt die Objektivkappe auf dem Objektiv. Entfernen Sie die Objektivkappe, wenn Sie den Projektor benutzen möchten.

- Kurzreferenz (diese Anleitung) (1)
- Bedienungsanleitung (CD-ROM) (1)

Beim VPL-HW55ES sind auch die folgenden Elemente enthalten.

- 3D-Brille (2)
- Beutel für die 3D-Brille (2)
- USB-Ladekabel (1,2 m) (2)
- Bedienungsanleitung für die 3D-Brille (1)

## Einlegen der Batterien in die Fernbedienung



## VORSICHT

Explosionsgefahr bei Verwendung falscher Batterien. Batterien nur durch den vom Hersteller empfohlenen oder einen gleichwertigen Typ ersetzen. Wenn Sie die Batterie entsorgen, müssen Sie die Gesetze der jeweiligen Region und des jeweiligen Landes befolgen.

## Einlegen der Batterien

Zwei R6-Batterien der Größe AA werden für die Fernbedienung mitgeliefert. Verwenden Sie R6-Mangan- oder -Alkalibatterien der Größe AA. Andernfalls besteht Explosionsgefahr.

## Vorsichtshinweis zum Umgang mit der Fernbedienung

- Gehen Sie sorgfältig mit der Fernbedienung um. Lassen Sie sie nicht fallen, treten Sie nicht darauf und verschütten Sie keine Flüssigkeiten darauf.
- Legen Sie die Fernbedienung nicht an einem Ort in der Nähe einer Wärmequelle, in direktem Sonnenlicht oder in einem feuchten Raum ab.

## Verwenden der Anleitungen auf der CD-ROM

Die Anleitung kann auf einem Computer, auf dem der Adobe Reader installiert ist, gelesen werden.

Sie können den Adobe Reader kostenlos von der Adobe-Website herunterladen.

- 1 Öffnen Sie die Datei `index.htm` auf der CD-ROM.
- 2 Wählen Sie die Anleitung aus, die Sie lesen möchten, und klicken Sie darauf.

## Hinweis

Wenn Sie die CD-ROM nicht mehr besitzen, oder wenn sie beschädigt ist, können Sie Ersatz bei Ihrem Sony-Händler oder der Sony-Servicevertretung bestellen.

## Schritt 2

# Installieren des Geräts

- 1 Positionieren Sie das Gerät so, dass das Objektiv parallel zur Leinwand ausgerichtet ist.
- 2 Schließen Sie das Netzkabel erst an den Projektor, und dann an eine Netzsteckdose an.

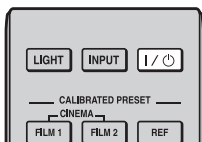
Oberseite des Geräts

**ON/STANDBY**



Leuchtet in Rot.

- 3 Drücken Sie die Taste I/⏻ (Ein/Bereitschaft), um den Projektor einzuschalten.



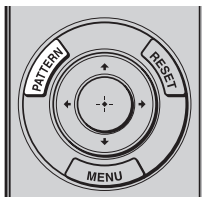
Oberseite des Geräts

**ON/STANDBY**

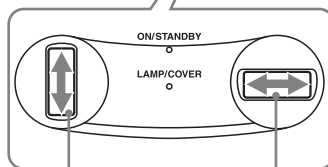
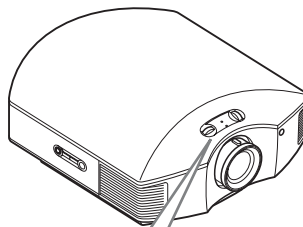


Blinkt eine Zeitlang (einige Sekunden) in Grün, und leuchtet dann in Grün.

- 4 Drücken Sie die Taste PATTERN, um ein Testsignal zum Vornehmen von Einstellungen anzuzeigen.



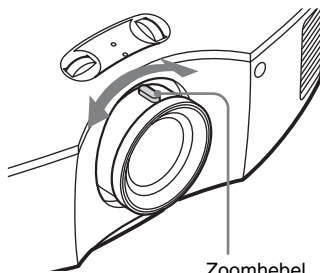
- 1 Verschieben Sie beide Stellknöpfe für die Objektivverschiebung, um die Bildposition anzupassen.



Zum Einstellen der Vertikalposition

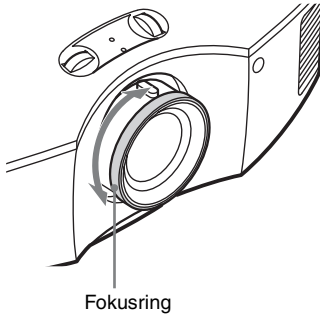
Zum Einstellen der Horizontalposition

- 2 Passen Sie die Bildgröße mit dem Zoomhebel an.

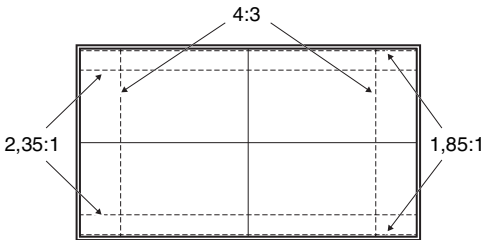


Zoomhebel

**3 Passen Sie den Fokus mit dem Fokusring an.**



**Objektiv-Einstellfenster (Testmuster)**



Die gestrichelten Linien zeigen die Leinwandgröße beim jeweiligen Seitenverhältnis.

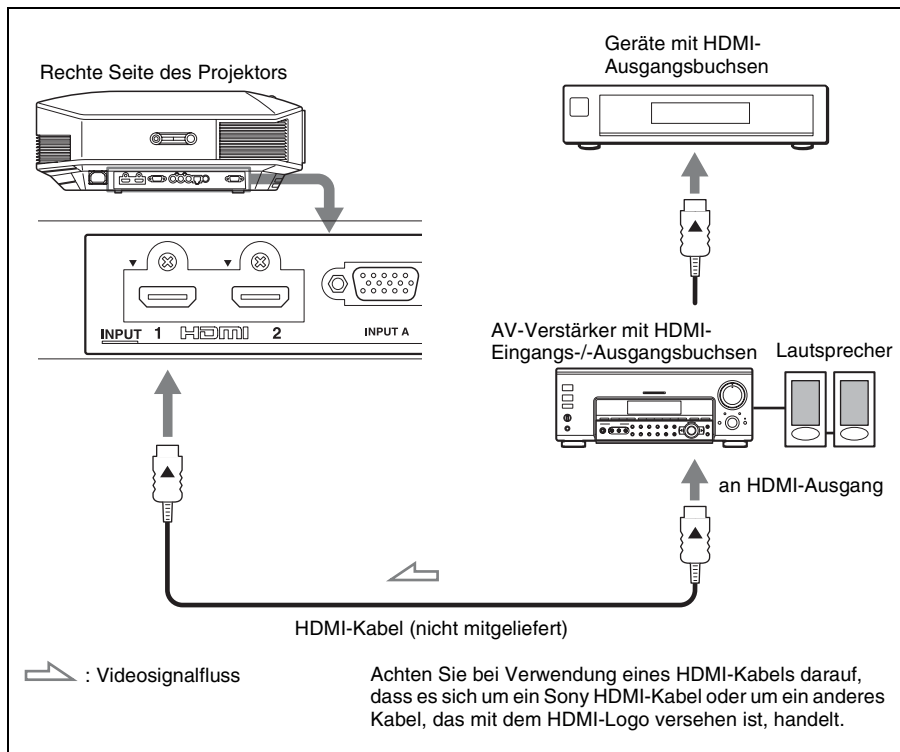
*Falls Probleme auftreten oder eine Fehlermeldung angezeigt wird, schlagen Sie unter „Anschlüsse und Vorbereitungen“ in der Bedienungsanleitung auf der mitgelieferten CD-ROM nach.*

## Achten Sie bei der Herstellung der Anschlüsse auf Folgendes:

- Schalten Sie alle Geräte aus, bevor Sie irgendwelche Anschlüsse vornehmen.
- Verwenden Sie die korrekten Kabel für jeden Anschluss.
- Stecken Sie die Kabelstecker einwandfrei ein; lockerer Anschluss der Stecker kann eine Funktionsstörung oder schlechte Bildqualität verursachen. Ziehen Sie beim Abtrennen eines Kabels am Stecker, nicht am Kabel selbst.
- Schlagen Sie in der Bedienungsanleitung des angeschlossenen Gerätes nach.

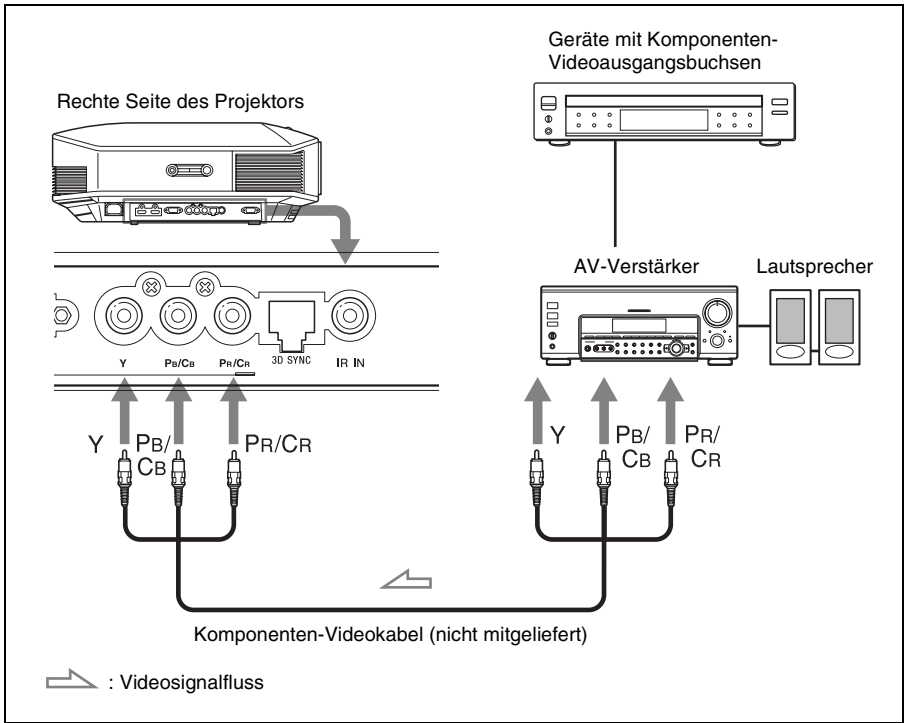
## Anschließen an einen Videorecorder

### So schließen Sie Geräte mit HDMI-Ausgangsbuchsen an



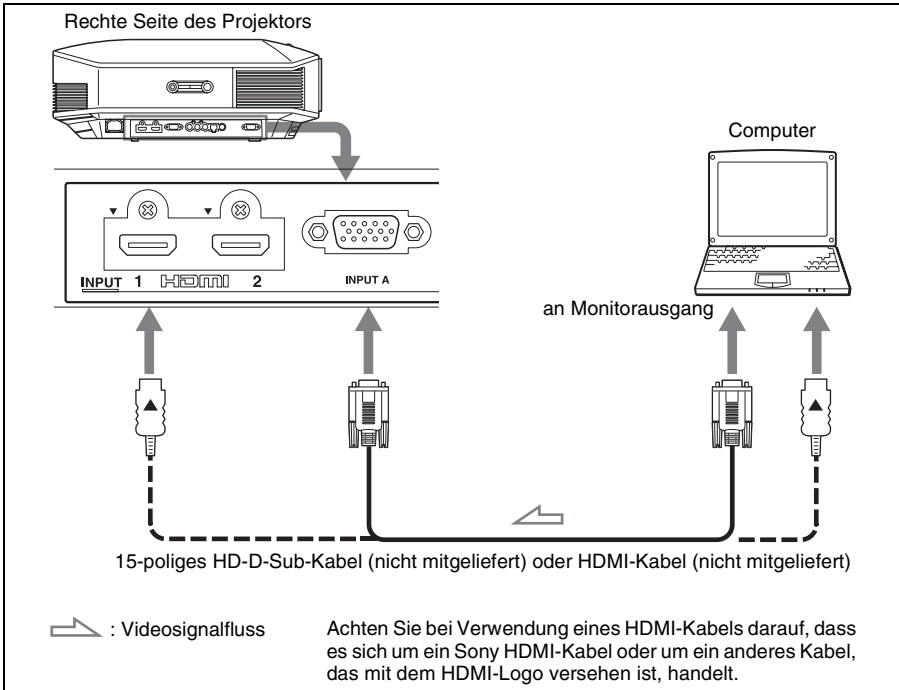
*Falls Probleme auftreten oder eine Fehlermeldung angezeigt wird, schlagen Sie unter „Anschlüsse und Vorbereitungen“ in der Bedienungsanleitung auf der mitgelieferten CD-ROM nach.*

# So schließen Sie Geräte mit Komponenten-Videoausgangsbuchsen an



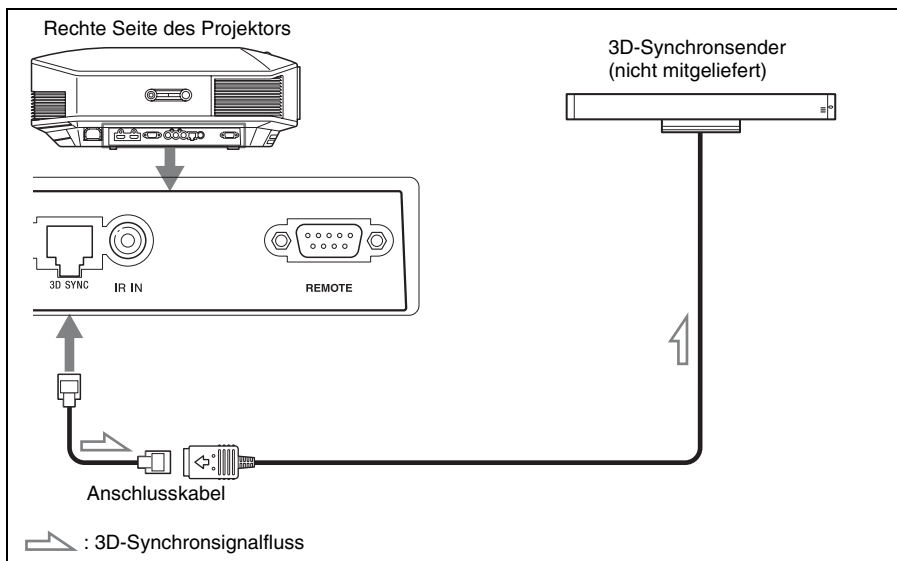
*Falls Probleme auftreten oder eine Fehlermeldung angezeigt wird, schlagen Sie unter „Anschlüsse und Vorbereitungen“ in der Bedienungsanleitung auf der mitgelieferten CD-ROM nach.*

## Anschluss eines Computers



*Falls Probleme auftreten oder eine Fehlermeldung angezeigt wird, schlagen Sie unter „Anschlüsse und Vorbereitungen“ in der Bedienungsanleitung auf der mitgelieferten CD-ROM nach.*

## Anschließen an einen 3D-Synchronsender



### Hinweis

Wenn Sie einen anderen 3D-Synchronsender als den mitgelieferten benutzen, verwenden Sie ein optionales LAN-Kabel (ohne Überkreuzung).

Wenn es in der Umgebung, in der Sie das Gerät benutzen, zu Störungen durch eine kontinuierliche spezielle Frequenz kommt, geht die Synchronisierung der 3D-Bildsignale und der 3D-Brille möglicherweise verloren. Verwenden Sie in diesem Fall ein LAN-Kabel der Kategorie 7.

Wenn Sie die 3D-Bilder in einer Umgebung anschauen, die sogar noch mehr Störungen aufweist, verwenden Sie den internen Sender.

*Falls Probleme auftreten oder eine Fehlermeldung angezeigt wird, schlagen Sie unter „Anschlüsse und Vorbereitungen“ in der Bedienungsanleitung auf der mitgelieferten CD-ROM nach.*

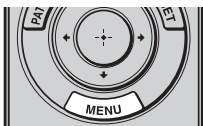


## Schritt 4

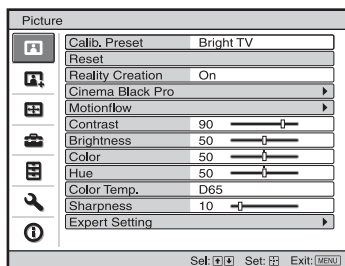
# Wählen der Menüsprache

Für die Menüanzeige und die anderen Bildschirmanzeigen können Sie eine von 16 Sprachen auswählen. Die Werksvorgabe ist Englisch. Um die aktuelle Menüsprache zu ändern, stellen Sie die gewünschte Sprache auf dem Menübildschirm ein.

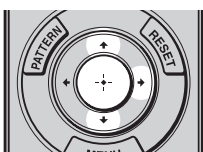
### 1 Drücken Sie MENU.



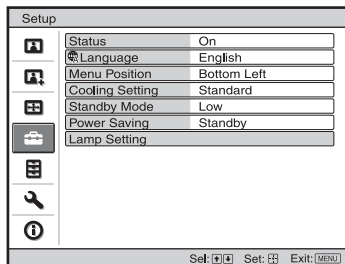
Das Menü erscheint.



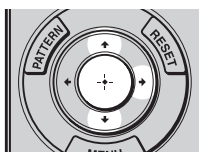
### 2 Rufen Sie mit ↑/↓ das Menü Setup auf, und drücken Sie dann → oder ⏻.



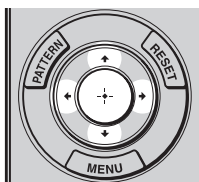
Die Einstellungsposten des ausgewählten Menüs werden angezeigt.



### 3 Wählen Sie mit ↑/↓ den Posten „Language“ aus, und drücken Sie dann → oder ⏻.



### 4 Wählen Sie mit ↑/↓/←/→ die gewünschte Sprache, und drücken Sie dann ⏻.



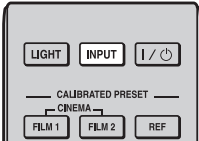
Die Menüsprache wechselt zu der ausgewählten Sprache.

**So wird das Menü ausgeblendet**

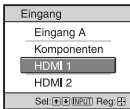
Drücken Sie MENU.

## Projizieren des Bildes

- 1 Schalten Sie sowohl den Projektor als auch die angeschlossenen Geräte ein.
- 2 Drücken Sie INPUT, um auf dem Bildschirm eine Liste der Eingabegeräte anzuzeigen.



- 3 Wählen Sie das Gerät, auf dem sich die Bilder befinden, die angezeigt werden sollen.  
Drücken Sie wiederholt auf INPUT, oder drücken Sie auf **↑/↓/⊕** (Eingabe), um das gewünschte Gerät zu wählen.



Beispiel: Wiedergeben des Bildes vom am Anschluss HDMI 1 dieses Geräts angeschlossenen Videogerät.

## Ausschalten des Geräts

- 1 Drücken Sie die Taste I/⏻ (Ein/Bereitschaft).  
Die Meldung „AUSSCHALTEN?“ erscheint auf der Leinwand.
- 2 Drücken Sie die Taste I/⏻ (Ein/Bereitschaft) erneut, bevor die Meldung ausgeblendet wird.  
Die Anzeige ON/STANDBY blinkt in Grün, und der Lüfter läuft weiter, um die interne Wärme abzuleiten. Zuerst blinkt die Anzeige ON/STANDBY schnell. Während dieser Phase ist es nicht möglich, die Anzeige mit der Taste I/⏻

(Ein/Bereitschaft) zum Aufleuchten zu bringen.

Der Lüfter hält an, und die Anzeige ON/STANDBY blinkt nicht mehr grün, sondern leuchtet dauerhaft rot.

Der Strom ist nun vollkommen ausgeschaltet, und das Netzkabel kann gezogen werden.

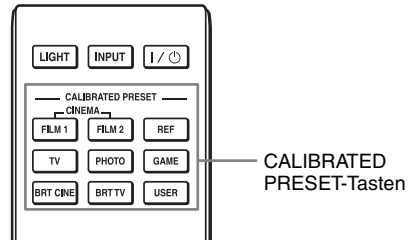
### Hinweis

Während die Anzeige blinkt, darf das Netzkabel auf keinen Fall abgezogen werden. Anstatt die obigen Schritte auszuführen, können Sie den Projektor auch ausschalten, indem Sie die Taste I/⏻ (Ein/Bereitschaft) etwa 1 Sekunde lang gedrückt halten.

*Falls Probleme auftreten oder eine Fehlermeldung angezeigt wird, schlagen Sie unter „Projizieren“ in der Bedienungsanleitung auf der mitgelieferten CD-ROM nach.*

## Wahl des Bildbetrachtungsmodus

Drücken Sie eine der Tasten  
CALIBRATED PRESET.



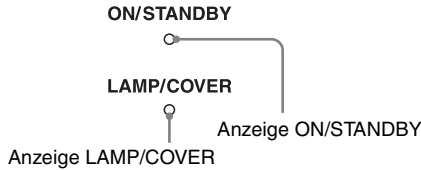
Einstellungsposten	Beschreibung
CINEMA FILM 1	Bildqualität, die sich am besten für die Reproduktion von sehr dynamischen und klaren Bildern eignet, die typisch für einen Masterpositiv-Film sind.
CINEMA FILM 2	Bildqualität, die sich am besten für die Reproduktion von satten Farbtönen eignet, die typisch für einen Kino-Film sind.
REF	Eine Bildqualität-Einstellung, die sich am besten für die originalgetreue Reproduktion der Original-Bildqualität eignet, oder wenn man die beste Bildqualität ohne Anpassungen erzielen möchte.
TV	Bildqualität, die sich am besten für TV-Programme, Sportsendungen, Konzerte usw. eignet.
PHOTO	Ideal zum Projizieren von Standbildern, die mit einer Digitalkamera aufgenommen wurden.
GAME	Bildqualität, die sich am besten für Spiele mit schön modulierten Farben und schnellen Reaktionszeiten eignet.
BRT CINE	Bildqualität für die Darstellung von Filmen in einer sehr hellen Umgebung, wie in einem Wohnzimmer.
BRT TV	Bildqualität für die Darstellung von Fernsehprogrammen, Sport, Konzerten und anderen Videobildern in einer hellen Umgebung, wie in einem Wohnzimmer.
USER	Stellt die Bildqualität wunschgemäß ein und speichert dann die Einstellung. Die Werkseinstellung ist dieselbe wie „REF“.

*Falls Probleme auftreten oder eine Fehlermeldung angezeigt wird, schlagen Sie unter „Projizieren“ in der Bedienungsanleitung auf der mitgelieferten CD-ROM nach.*

# Störungsbehebung

## Warnanzeigen

Die Anzeige ON/STANDBY oder LAMP/COVER leuchtet auf oder blinkt, falls eine Störung in Ihrem Projektor vorliegt.



Symptom	Ursache und Abhilfemaßnahme
LAMP/COVER blinkt in Rot. (jeweils 2 Blinkzeichen)	<ul style="list-style-type: none"><li>→ Schließen Sie die Lampenabdeckung einwandfrei, und ziehen Sie die Schrauben fest an.</li><li>→ Schließen Sie den Filterhalter einwandfrei.</li></ul>
LAMP/COVER blinkt in Rot. (jeweils 3 Blinkzeichen)	<ul style="list-style-type: none"><li>→ Die Lampe hat das Ende ihrer Nutzungsdauer erreicht. Wechseln Sie die Lampe aus.</li><li>→ Die Lampe ist zu heiß geworden. Warten Sie, bis die Lampe abgekühlt ist, bevor Sie den Projektor wieder einschalten.</li></ul>
ON/STANDBY blinkt in Rot. (jeweils 4 Blinkzeichen)	<ul style="list-style-type: none"><li>→ Der Lüfter ist defekt. Konsultieren Sie qualifiziertes Sony-Personal.</li></ul>
ON/STANDBY blinkt in Rot. (jeweils 2 Blinkzeichen)	<ul style="list-style-type: none"><li>→ Die Innentemperatur ist ungewöhnlich hoch. Prüfen Sie, ob die Lüftungsöffnungen blockiert sind, oder ob der Projektor in Höhenlagen verwendet wird.</li></ul>
ON/STANDBY blinkt in Rot. (jeweils 6 Blinkzeichen)	<ul style="list-style-type: none"><li>→ Drücken Sie die Taste I/⏻ (Ein/Bereitschaft), um den Projektor einzuschalten. Falls der Projektor nicht eingeschaltet wird, ziehen Sie das Netzkabel ab, und prüfen Sie dann, ob die Anzeige ON/STANDBY erloschen ist. Schließen Sie das Netzkabel nach etwa 10 Sekunden wieder an, und schalten Sie die Stromversorgung wieder ein. Falls die Anzeigen noch immer aufleuchten, liegt eine Störung im elektrischen System vor. Konsultieren Sie qualifiziertes Sony-Personal.</li></ul>

### Hinweis

Falls eine andere Warnanzeige außer der obigen zu blinken beginnt und das Symptom trotz Ausführung der obigen Maßnahmen bestehen bleibt, wenden Sie sich an qualifiziertes Sony-Personal.

*Falls Probleme auftreten oder eine Fehlermeldung angezeigt wird, schlagen Sie unter „Fehlerbehebung“ in der Bedienungsanleitung auf der mitgelieferten CD-ROM nach.*

## Austauschen der Lampe

### Erforderliche Werkzeuge:

- Projektorlampe LMP-H202 (optional)
- Normaler Kreuzschlitzschraubenzieher
- Tuch (für Kratzerverhütung)

Die als Lichtquelle verwendete Lampe hat eine begrenzte Lebensdauer. Wenn die Lampe schwächer wird, die Farbbalance des Bilds unausgewogen wird oder „Bitte Lampe/Filter austauschen.“ auf der Leinwand erscheint, ist möglicherweise die Lampe erschöpft. Ersetzen Sie die Lampe unverzüglich durch eine neue.

Verwenden Sie eine Projektorlampe LMP-H202 als Ersatzlampe.

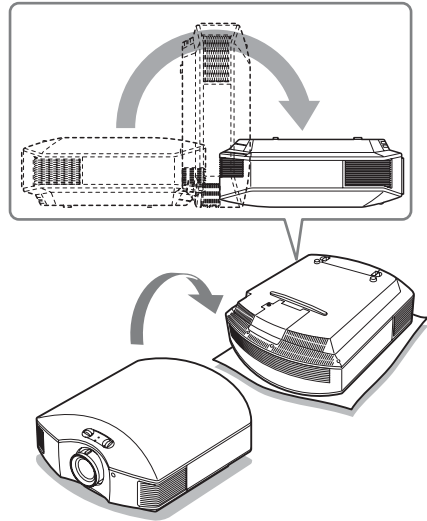
Der Luftfilter wird mit der Projektorlampe LMP-H202 geliefert. Der Luftfilter ist zusammen mit der Lampe auszuwechseln. Ersetzen Sie bei jedem Lampenwechsel auch den Luftfilter durch einen neuen. Reinigen Sie auch die Lüftungsöffnungen (Einlass).

### Vorsicht

- Die Lampe bleibt auch nach dem Ausschalten des Projektors mit der Taste  $\text{I/O}$  (Ein/Bereitschaft) noch längere Zeit heiß. Falls Sie die Lampe berühren, können Sie sich die Finger verbrennen. Lassen Sie die Lampe mindestens 1 Stunde lang abkühlen, bevor Sie sie austauschen.
- Berühren Sie nicht die Objektivoberfläche. Falls Sie sie berühren, wischen Sie Fingerabdrücke mit einem weichen Tuch ab.
- Lassen Sie beim Lampenwechsel besondere Vorsicht walten, wenn der Projektor an der Decke montiert ist.
- Achten Sie beim Herausnehmen der Lampeneinheit darauf, dass sie horizontal bleibt, und ziehen Sie sie gerade nach oben. Die Lampeneinheit nicht kippen. Falls Sie die Lampeneinheit schräg herausziehen und die Lampe bricht, können die Bruchstücke verstreut werden und Verletzungen verursachen.
- Achten Sie beim Entfernen des Luftfilters darauf, dass kein Staub in den Projektor fällt.
- Das Auswechseln des Luftfilters ist ausschlaggebend für die Aufrechterhaltung

der hohen Projektorleistung oder für die Verhütung von Funktionsstörungen. Wenn eine Warnmeldung zum Auswechseln des Luftfilters erscheint, sollten Sie den Luftfilter unverzüglich austauschen.

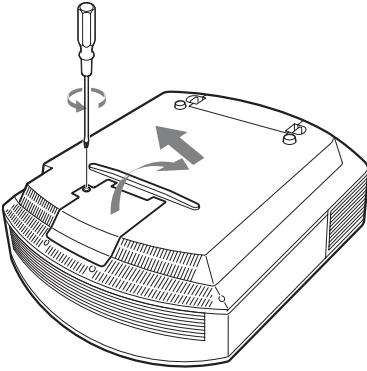
- 1 Schalten Sie den Projektor aus, und ziehen Sie das Netzkabel ab.
- 2 Wenn Sie den Projektor auf eine ebene Fläche (z.B. ein Pult usw.) stellen, decken Sie die Fläche mit einem Tuch ab, damit sie nicht verkratzt wird. Drehen Sie den Projektor um, wie in der Abbildung gezeigt, und legen Sie ihn dann auf das Tuch.



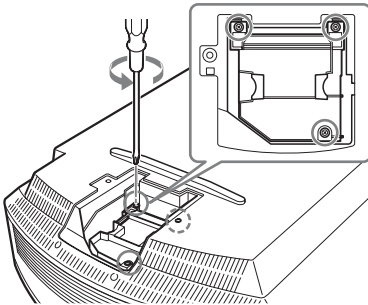
### Hinweise

- Falls die Lampe beschädigt wird, können die Bruchstücke der Lampe verstreut werden, wenn der Projektor nicht umgedreht wird. Dies kann zu Verletzungen führen.
- Stellen Sie den Projektor auf eine stabile Fläche.

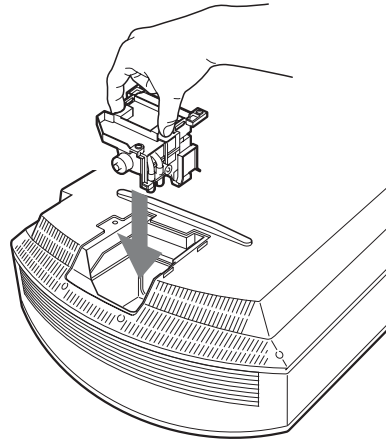
- 3** Lösen Sie die Schraube an der Lampenabdeckung mit einem Kreuzschlitzschraubenzieher, und öffnen Sie dann die Lampenabdeckung.



- 4** Lösen Sie die 3 Schrauben an der Lampe mit dem Kreuzschlitzschraubenzieher. Halten Sie den Griff hoch, und ziehen Sie dann die Lampe gerade heraus.



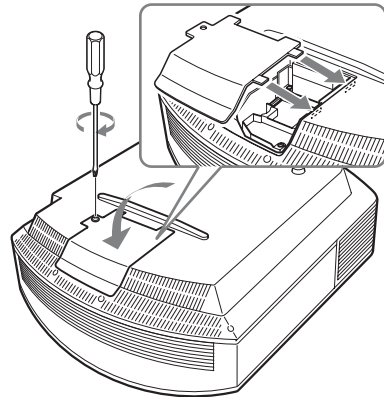
- 5** Halten Sie den Griff der neuen Lampe, schieben Sie die Lampe bis zum Anschlag fest hinein, und ziehen Sie dann die 3 Schrauben fest.



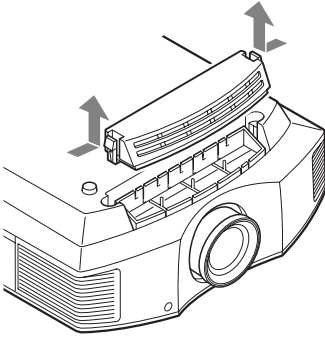
**Hinweis**

Achten Sie darauf, dass Sie nicht den Optikblock im Inneren des Projektors berühren.

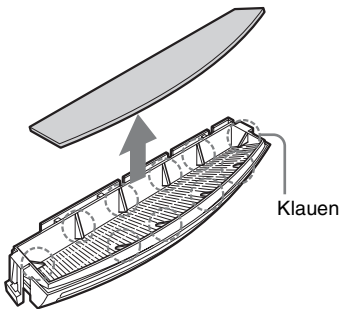
- 6** Schließen Sie die Lampenabdeckung, und ziehen Sie die Schrauben an.



**7** Entfernen Sie den Filterhalter.



**8** Entfernen Sie den Luftfilter.



**9** Bringen Sie den neuen Luftfilter so an, dass er von den Klauen (10 Positionen) am Filterhalter gehalten wird.

**Hinweis**

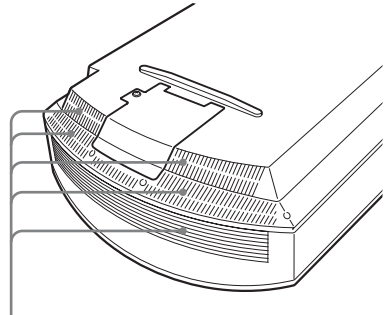
Bringen Sie den Luftfilter so an, dass er auf die Form des Filterhalters ausgerichtet ist. Vermeiden Sie außerdem eine Berührung des Lüfters nach dem Entfernen des Luftfilters, der tief in den Projektor eingesetzt ist.

**10** Bringen Sie den Filterhalter an.

**Hinweis**


Der Projektor lässt sich nur einschalten, wenn der Luftfilterhalter einwandfrei geschlossen ist.

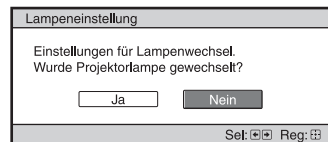
**11** Säubern Sie die Lüftungsöffnungen (Einlass) mit einem weichen Tuch von Staub.



Lüftungsöffnungen (Einlass)

**12** Bringen Sie den Projektor wieder in seine Ausgangslage.

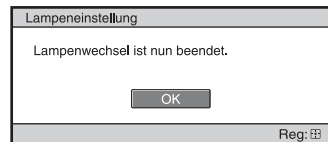
**13** Schalten Sie den Projektor ein, und wählen Sie dann den gewünschten Einstellungsposten im Menü Einrichtung  aus. Der folgende Menübildschirm wird angezeigt.



**Tipp**

Wenn „Einstellungssperre“ auf „Stufe B“ gestellt wurde, stellen Sie diese einmal auf „Aus“.

**14** Wählen Sie „Ja“.



### **Vorsicht**

Greifen Sie nicht in den Lampensteckplatz, und achten Sie darauf, dass keine Flüssigkeiten oder Fremdkörper in den Steckplatz eindringen, um einen elektrischen Schlag oder Brand zu vermeiden.

### **Hinweise**

- Verwenden Sie unbedingt eine Projektorlampe LMP-H202 als Ersatz. Falls Sie eine andere Lampe als LMP-H202 verwenden, kann es zu einer Funktionsstörung des Projektors kommen.
- Schalten Sie unbedingt den Projektor aus, und ziehen Sie das Netzkabel ab, bevor Sie die Lampe austauschen. Vergewissern Sie sich dann, dass die Anzeige ON/STANDBY erloschen ist.
- Der Projektor lässt sich nur einschalten, wenn die Lampe vorschriftsmäßig installiert ist.
- Der Projektor lässt sich nicht einschalten, wenn die Deckplatte und die Lampenabdeckung nicht einwandfrei geschlossen sind.
- Um eine auf der Leinwand angezeigte Meldung aufzuheben, drücken Sie entweder die Taste an der Fernbedienung oder die entsprechende Taste am Bedienfeld des Projektors.

### **Hinweis**

Die Lampe enthält Quecksilber. Die Entsorgungsvorschriften für verbrauchte Leuchtstoffröhren hängen von Ihrem Wohnort ab. Befolgen Sie die Müllentsorgungsvorschriften in Ihrem Gebiet.

## **Reinigen des Luftfilters**

Wenn „Filter reinigen.“ auf der Leinwand erscheint, sollten Sie den Luftfilter reinigen. Der Luftfilter sollte alle 1.500 Stunden gereinigt werden. Dieser Wert hängt von der Umgebung und Benutzungsart des Projektors ab. 1.500 Stunden ist ein Näherungswert.

Waschen Sie den Luftfilter mit einer milden Reinigungslösung, und lassen Sie ihn an einem schattigen Ort trocknen.

### **Hinweise**

- Achten Sie beim Reinigen des Luftfilters darauf, dass er nicht beschädigt wird. Einzelheiten zum Anbringen und Abnehmen des Luftfilters finden Sie unter „Austauschen der Lampe“ Schritte 7 bis 10. (Seite 21)
- Achten Sie beim Entfernen des Luftfilters darauf, dass kein Staub in den Projektor fällt.
- Das Reinigen des Luftfilters ist ausschlaggebend für die Aufrechterhaltung der hohen Projektorleistung oder für die Verhütung von Funktionsstörungen. Wenn eine Warnmeldung zum Reinigen des Luftfilters erscheint, sollten Sie den Luftfilter unverzüglich reinigen.





# Informazioni sulla Guida rapida all'uso

La presente Guida rapida all'uso descrive l'installazione e le operazioni di base per la proiezione di immagini. Inoltre, sono descritte note e precauzioni importanti a cui prestare attenzione durante l'uso di questa unità.

Vedere "Spie di avvertenza", "Sostituzione della lampada" e "Pulizia del filtro dell'aria" in base alle necessità.

Per i dettagli sulle operazioni, consultare le Istruzioni per l'uso contenute nel CD-ROM in dotazione.

## Punto 1

**Preparazione .....Pagina 8**

## Punto 2

**Installazione dell'unità .....Pagina 9**

## Punto 3

**Collegamento dell'unità.....Pagina 11**

## Punto 4

**Selezione della lingua del menu  
.....Pagina 15**

## Punto 5

**Proiezione .....Pagina 16**

---

## Gestione degli errori

**Spie di avvertenza.....Pagina 18**

## Manutenzione

**Sostituzione della lampada.....Pagina 19**

**Pulizia del filtro dell'aria .....Pagina 22**

Leggere attentamente questo manuale prima di utilizzare l'unità, e conservarlo per riferimenti futuri.

## AVVERTENZA

**Per ridurre il rischio di incendi o scosse elettriche, non esporre questo apparato alla pioggia o all'umidità.**

**Per evitare scosse elettriche, non aprire l'involucro. Per l'assistenza rivolgersi unicamente a personale qualificato.**

**AVVERTENZA  
QUESTO APPARECCHIO DEVE  
ESSERE COLLEGATO A MASSA.**

### AVVERTENZA

Durante l'installazione dell'apparecchio, incorporare un dispositivo di scollegamento prontamente accessibile nel cablaggio fisso, oppure collegare la spina di alimentazione ad una presa di corrente facilmente accessibile vicina all'apparecchio. Qualora si verifichi un guasto durante il funzionamento dell'apparecchio, azionare il dispositivo di scollegamento in modo che interrompa il flusso di corrente oppure scollegare la spina di alimentazione.

### AVVERTENZA

- 1 Utilizzare un cavo di alimentazione (a 3 anime)/connettore per l'apparecchio/spina con terminali di messa a terra approvati che siano conformi alle normative sulla sicurezza in vigore in ogni paese, se applicabili.
- 2 Utilizzare un cavo di alimentazione (a 3 anime)/connettore per l'apparecchio/spina conformi alla rete elettrica (voltage, ampere).

In caso di domande relative all'uso del cavo di alimentazione/connettore per l'apparecchio/spina di cui sopra, rivolgersi al personale qualificato.

### Per i clienti in Europa

Questo prodotto è stato fabbricato da o per conto di Sony Corporation, 1-7-1 Konan Minato-ku Tokyo, 108-0075 Giappone. Eventuali richieste in merito alla conformità del prodotto in ambito della legislazione Europea, dovranno essere indirizzate al rappresentante autorizzato, Sony Deutschland GmbH, Hedelfinger Strasse 61, 70327 Stuttgart, Germania. Per qualsiasi informazione relativa al servizio o la garanzia, si prega di fare riferimento agli indirizzi riportati separatamente sui documenti relativi all'assistenza o sui certificati di garanzia.

Nota: Le seguenti frasi integrano il manuale di istruzioni e, in caso di discordanza, prevalgono sul manuale di istruzioni.

### Indicazioni specifiche e avvertenze per l'utilizzo di occhiali 3D in ambito domestico, richieste dal Ministero della Salute Italiano.

- L'utilizzo degli occhiali 3D è controindicato per i bambini al di sotto dei 6 anni di età.
- L'utilizzo continuativo degli occhiali 3D deve in ogni caso essere limitato a un tempo massimo orientativamente pari a quello della durata di uno spettacolo cinematografico.
- L'utilizzo degli occhiali 3D deve essere limitato esclusivamente alla visione di contenuti in 3D.
- Gli occhiali 3D devono essere utilizzati contestualmente agli strumenti correttivi della visione (ad es., occhiali da vista/lenti a contatto), qualora abitualmente utilizzati dall'utente.
- E' opportuno interrompere immediatamente la visione in 3D in caso di comparsa di disturbi agli occhi o di malessere generale e, nell'eventualità di persistenza degli stessi, consultare un medico.
- Gli occhiali 3D devono essere tenuti fuori dalla portata dei bambini qualora vi sia la presenza di piccole parti mobili ingeribili.

- La pulizia degli occhiali 3D deve essere fatta utilizzando un panno leggermente inumidito con una soluzione di sapone delicato e acqua tiepida, non usare prodotti a base alcolica.
- L'uso di sostanze disinfettanti può danneggiare il prodotto o comprometterne la funzionalità; è pertanto controindicato l'uso promiscuo degli occhiali 3D in caso di infezioni oculari o altre affezioni trasmissibili per contatto (a titolo meramente esemplificativo: congiuntivite, infestazioni del capo ecc...) fino alla completa scomparsa dell'infezione stessa.

---

## Precauzioni

### Sicurezza

- Verificare che la tensione di funzionamento dell'unità corrisponda alla tensione della rete elettrica locale.
- Se liquidi o solidi dovessero cadere nel mobile, scollegare l'unità e farla controllare da personale qualificato prima di usarla nuovamente.
- Se l'unità non sarà utilizzata per diversi giorni, scollegarla dalla presa di rete.
- Per scollegare il cavo, tirarlo fuori afferrando la spina. Non tirare mai direttamente il cavo.
- La presa di rete dovrebbe essere vicina all'unità e facilmente accessibile.
- L'unità non è scollegata dalla sorgente di alimentazione c.a. (rete elettrica) finché è collegata alla presa di rete, anche se l'unità stessa è stata spenta.
- Non guardare dentro l'obiettivo quando la lampada è accesa.
- Non mettere le mani o degli oggetti vicino alle prese di ventilazione. L'aria che ne fuoriesce è calda.

---

### Prevenzione del surriscaldamento interno

Dopo aver spento l'alimentazione con l'interruttore I/⏻ (accensione/attesa), non scollegare l'unità dalla presa di rete mentre la ventola di raffreddamento è ancora in funzione.

### Attenzione

Questa unità è dotata di prese di ventilazione di aspirazione e di scarico. Non ostruire o mettere alcun oggetto vicino a queste aperture; potrebbe verificarsi surriscaldamento interno, provocando un peggioramento dell'immagine o danneggiamento dell'unità.

---

### Imballaggio

Conservare la scatola e il materiale di imballaggio originale, poiché potrebbero servire se fosse necessario spedire l'apparecchio. Per ottenere la massima protezione, imballare l'apparecchio nello stesso modo in cui è stato imballato in stabilimento.

---

## Informazioni sulla visione di immagini video 3D

### Precauzioni per la sicurezza

- Gli occhiali 3D devono essere utilizzati esclusivamente per guardare immagini video in 3D.
- Se si notano tremolii o lampi, spegnere l'illuminazione della stanza.
- Prodotto non destinato all'uso da parte di bambini senza l'appropriata supervisione di un adulto.
- Fare attenzione a non schiacciarsi le dita durante la chiusura delle stanghette degli occhiali 3D.
- Non lasciar cadere né modificare gli occhiali 3D.
- In caso di rottura degli occhiali, evitare il contatto di occhi e bocca con i frammenti.

---

## Proiettore LCD

Il proiettore LCD è prodotto con una tecnologia di alta precisione. Tuttavia potrebbero essere visibili dei puntini neri e/o luminosi (rossi, blu o verdi) che appaiono in modo permanente sul proiettore LCD.

Questo è un risultato normale del processo di fabbricazione e non costituisce un guasto.

Inoltre, usando più proiettori LCD per proiettare su uno schermo, anche se sono dello stesso modello, la risoluzione dei colori dei vari proiettori può cambiare in quanto il bilanciamento dei colori potrebbe essere impostato diversamente da un proiettore all'altro.

---

## Informazioni sulla condensa

Se la temperatura dell'ambiente dove il proiettore installato cambia rapidamente, o se il proiettore viene improvvisamente spostato da una stanza fredda a una calda, è possibile che sul proiettore si formi condensa. Dato che la condensa può provocare malfunzionamenti, prestare attenzione alle regolazioni delle impostazioni di temperatura del condizionatore d'aria. Se si forma condensa, lasciare il proiettore acceso per circa due ore prima dell'uso.

SONY NON SARÀ RESPONSABILE DI DANNI DI QUALSIASI TIPO RISULTANTI DALLA MANCATA IMPLEMENTAZIONE DI MISURE DI PROTEZIONE ADEGUATE SUI DISPOSITIVI DI TRASMISSIONE, DA INEVITABILI DIFFUSIONI DI DATI RISULTANTI DALLE SPECIFICHE TECNICHE DELLA TRASMISSIONE O DA PROBLEMATICHE RELATIVE ALLA SICUREZZA DI QUALSIASI TIPO.
--

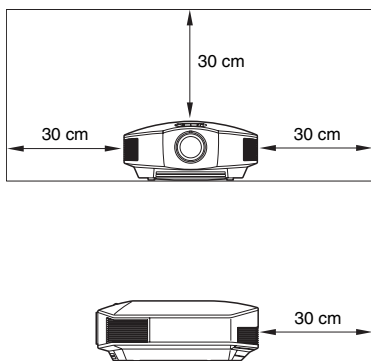
# Note sull'installazione e sull'utilizzo

## Posizioni di installazione inadatte

Non installare l'unità nelle seguenti condizioni, che potrebbero causare malfunzionamenti o danneggiarla.

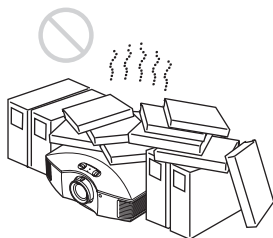
### Vicino alle pareti

Per mantenere le prestazioni e la leggibilità dell'unità, lasciare uno spazio tra le pareti e l'unità, come illustrato.

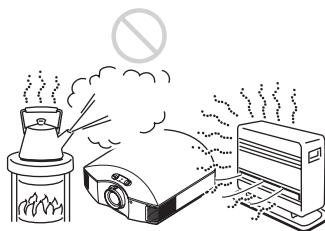


### Posizioni con ventilazione insufficiente

Lasciare uno spazio di almeno 30 cm intorno all'unità.

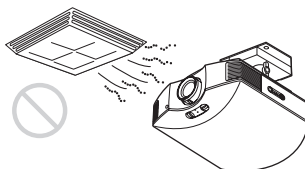


## Caldo e umido



### Posizioni esposte a flusso diretto di aria fresca o calda proveniente da un condizionatore

Installando l'unità in tali posizioni, potrebbe verificarsi un suo malfunzionamento causato dalla condensazione dell'umidità o dall'aumento della temperatura.



### Vicino a un sensore di calore o di fumo

Potrebbe verificarsi un malfunzionamento del sensore.



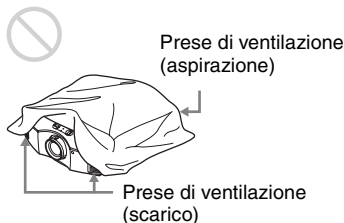
### Posizioni molto polverose o estremamente fumose



## Condizioni non idonee

Durante l'uso dell'unità, non effettuare alcuna delle operazioni che seguono.

### Ostruire le prese di ventilazione (aspirazione o scarico)



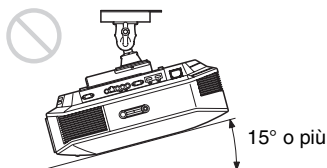
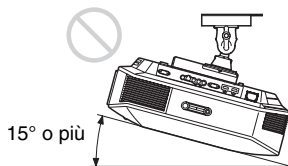
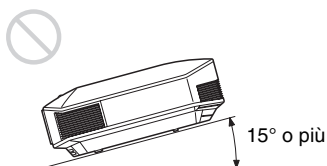
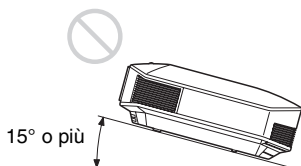
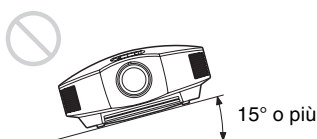
### Inclinare avanti/indietro e sinistra/destra

Non usare l'unità inclinata di un angolo superiore a 15 gradi.


Non installare l'unità altrove che su una superficie in piano o sul soffitto. Installando l'unità in tale posizione i colori potrebbero apparire disuniformi oppure potrebbe diminuire l'affidabilità dell'effetto della lampada.

Se si inclina l'unità verso l'alto o il basso, l'immagine sullo schermo potrebbe risultare trapezoidale.

Posizionare l'unità in modo che l'obiettivo sia parallelo allo schermo.



### Installazione dell'unità a quota elevata

Quando si usa l'unità a una quota di 1.500 m o superiore, impostare "Impostazione ventil." nel menu Impostazione  su "Alto". Se non viene impostata questo modo e l'unità è usata a quote elevate, potrebbero verificarsi degli effetti negativi, quale la diminuzione dell'affidabilità di determinati componenti.

### Precauzioni di sicurezza per l'installazione dell'unità sul soffitto

- Non montare mai il proiettore sul soffitto né spostarlo da soli. Per l'installazione rivolgersi a personale Sony qualificato (a pagamento).
- Se si installa l'unità sul soffitto, accertarsi di utilizzare un cavetto di sicurezza, ecc., per impedire la caduta dell'unità. Affidare l'installazione a un installatore specializzato.

### Per rivenditori

- Se si installa il proiettore sul soffitto, utilizzare per l'installazione una staffa Sony o equivalente consigliata.
- Fissare saldamente il coperchio dell'unità per una installazione sul soffitto sicura.

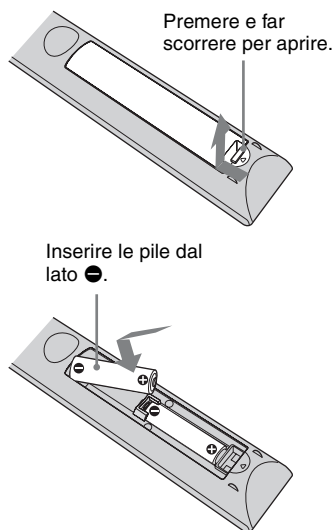
**Verifica degli accessori in dotazione**

Verificare che la confezione contenga tutti gli elementi indicati di seguito:

- Telecomando (1)
- Pile formato AA (R6) al manganese (2)
- Cavo di alimentazione c.a. (1)
- Copriobiettivo (1)  
Al momento dell'acquisto del proiettore, il copriobiettivo è sull'obiettivo. Rimuovere il copriobiettivo quando si utilizza il proiettore.
- Guida rapida all'uso (questo manuale) (1)
- Istruzioni per l'uso (CD-ROM) (1)

Per VPL-HW55ES, sono inoltre contenuti gli elementi seguenti.

- Occhiali 3D (2)
- Astuccio per occhiali 3D (2)
- Cavo di caricamento USB (1,2 m) (2)
- Istruzioni per l'uso degli occhiali 3D (1)

**Inserimento delle pile nel telecomando****ATTENZIONE**

Se una batteria non viene sostituita correttamente vi è il rischio di esplosione. Sostituire una batteria con una uguale o simile seguendo le raccomandazioni del produttore.

Per lo smaltimento della batteria, attenersi alle norme in vigore nel paese di utilizzo.

**Inserimento delle pile**

Due pile formato AA (R6) sono fornite in dotazione per il telecomando.

Per evitare il rischio di esplosione, utilizzare pile formato AA (R6) al manganese o alcaline.

**Precauzioni per l'uso del telecomando**

- Maneggiare il telecomando con cura. Non farlo cadere, calpestarlo o versarvi sopra liquidi di alcun tipo.
- Non posizionare il telecomando in prossimità di fonti di calore, né in luoghi soggetti alla luce diretta del sole o in stanze umide.

**Uso del manuale su CD-ROM**

Il manuale può essere letto esclusivamente su un computer su cui è installato Adobe Reader.

È possibile scaricare gratuitamente Adobe Reader dal sito web di Adobe.

- 1** Aprire il file index. htm nel CD-ROM.
- 2** Selezionare e fare clic sul manuale che si desidera leggere.

**Nota**

In caso di perdita o di danneggiamento del CD-ROM, è possibile acquistarne uno nuovo da un rivenditore Sony o rivolgendosi all'assistenza Sony.



**1** Posizionare l'unità in modo che l'obiettivo sia parallelo allo schermo.

**2** Dopo aver collegato il cavo di alimentazione c.a. al proiettore, collegarlo a una presa della rete elettrica.

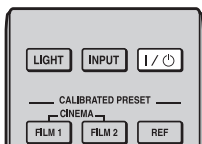
Parte superiore dell'unità

**ON/STANDBY**



Si illumina in rosso.

**3** Premere l'interruttore I/⏻ (accensione/attesa) per accendere il proiettore.



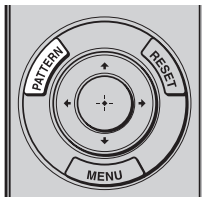
Parte superiore dell'unità

**ON/STANDBY**

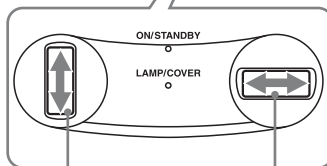
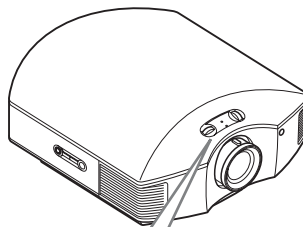


Lampeggia per un pò (decine di secondi) in verde, quindi si illumina in verde.

**4** Premere il pulsante PATTERN per visualizzare un segnale di prova ed effettuare le regolazioni.



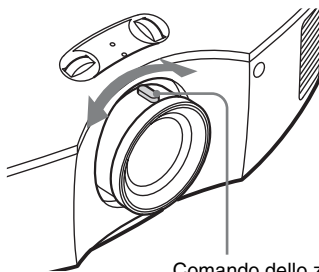
**1** Muovere entrambe le ghiera di spostamento obiettivo per regolare la posizione dell'immagine.



Regolazione della posizione verticale

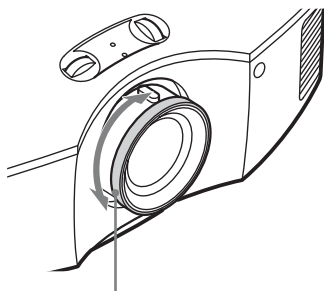
Regolazione della posizione orizzontale

**2** Regolare la dimensione dell'immagine con il comando dello zoom.



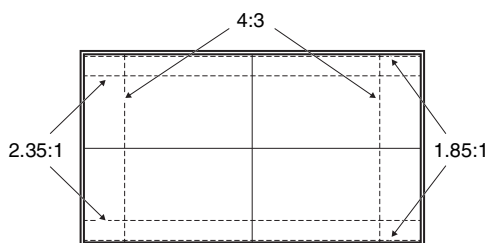
Comando dello zoom

**3 Regolare la messa a fuoco con l'anello di messa a fuoco.**



Anello di messa a fuoco

**Finestra di regolazione obiettivo  
(modello di prova)**



Le linee tratteggiate mostrano le dimensioni dello schermo per ogni formato.

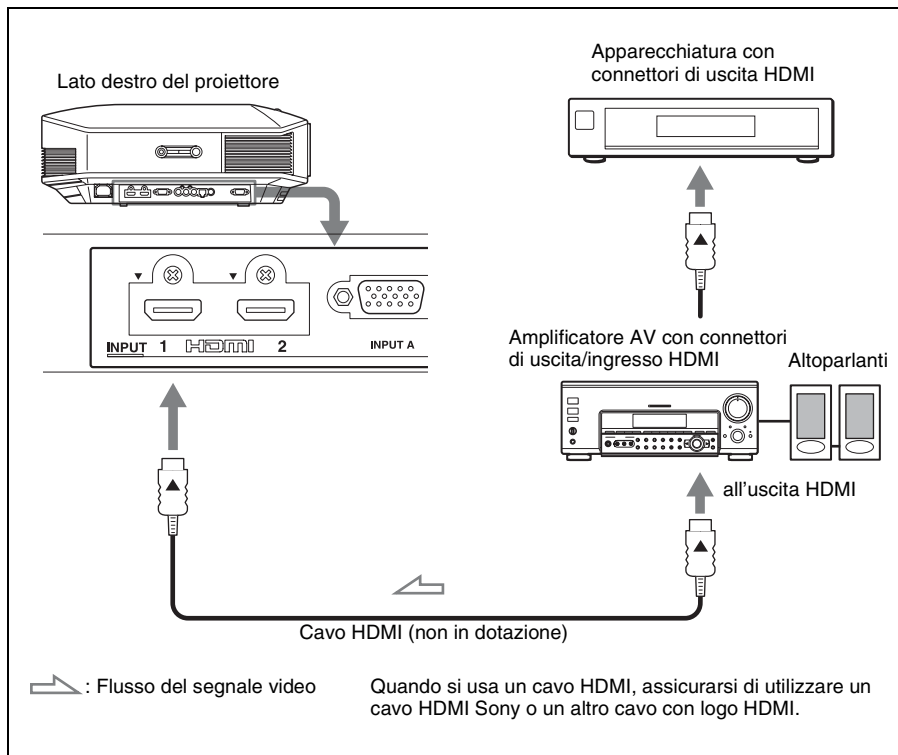
*Per i dettagli, consultare "Collegamenti e preparazioni" nelle Istruzioni per l'uso sul CD-ROM in dotazione.*

## Effettuare i collegamenti osservando quanto segue:

- Spegnere tutte le apparecchiature prima di effettuare qualsiasi collegamento.
- Usare cavi adatti a ciascun collegamento.
- Inserire correttamente le spine dei cavi; se il collegamento delle spine non è corretto, potrebbe verificarsi un malfunzionamento oppure la qualità dell'immagine potrebbe essere scadente. Per scollegare un cavo, afferrare la spina senza tirare il cavo stesso.
- Consultare le istruzioni d'uso dell'apparecchiatura collegata.

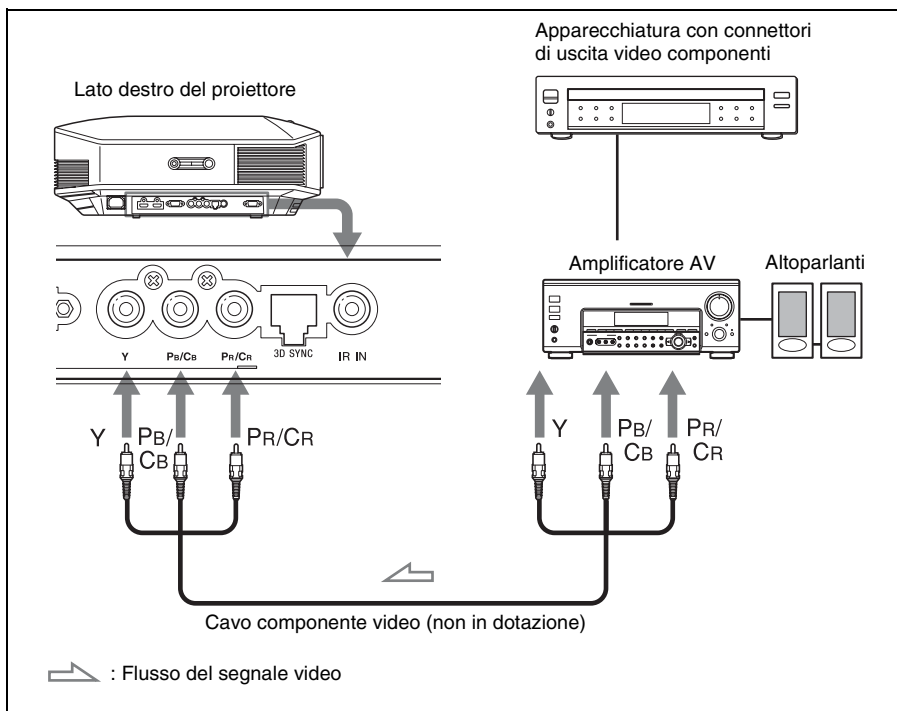
## Collegamento a un videoregistratore

### Collegamento ad apparecchiatura con connettori di uscita video HDMI



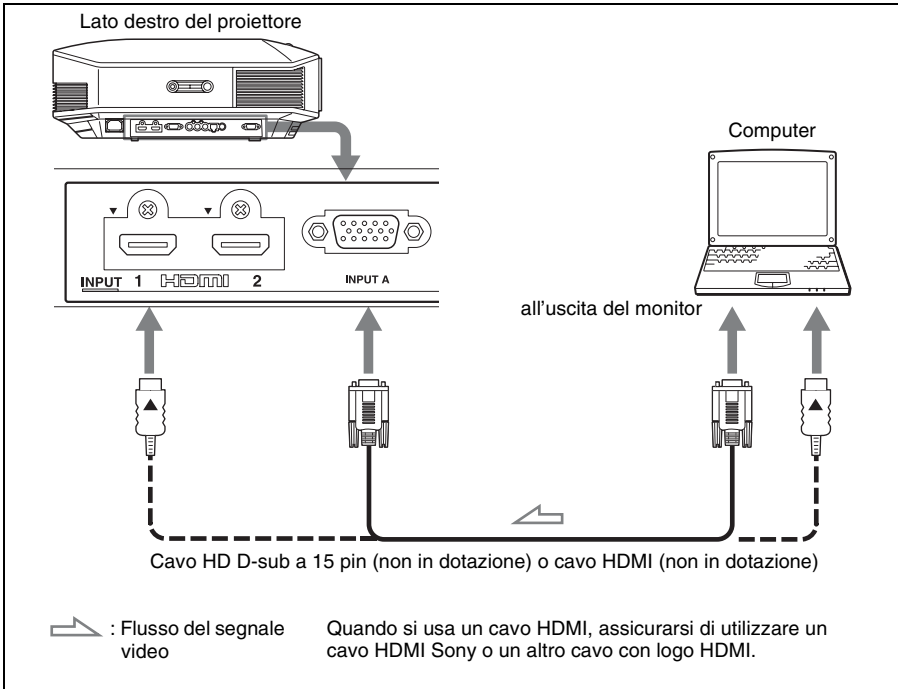
*Per i dettagli, consultare "Collegamenti e preparazioni" nelle Istruzioni per l'uso sul CD-ROM in dotazione.*

## Collegamento ad apparecchiatura con connettori di uscita video componenti



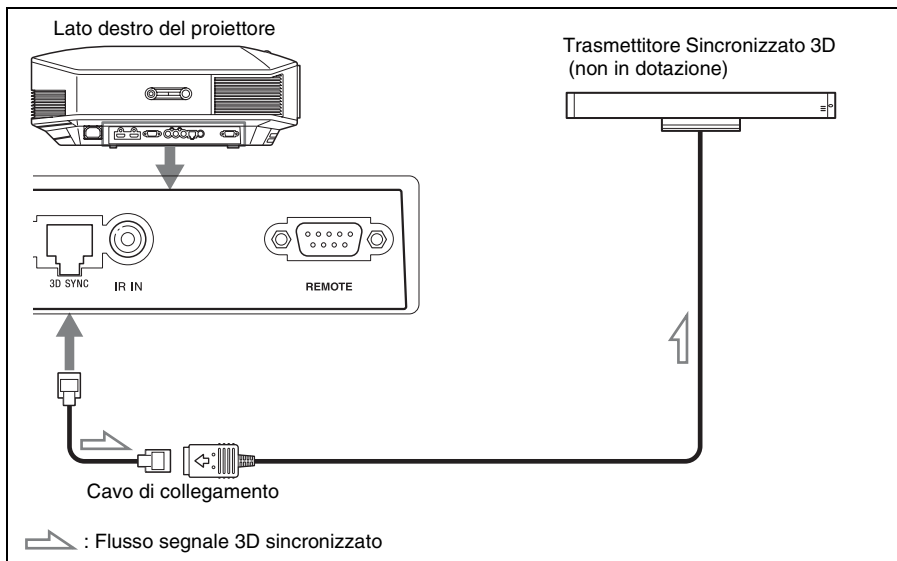
*Per i dettagli, consultare "Collegamenti e preparazioni" nelle Istruzioni per l'uso sul CD-ROM in dotazione.*

## Collegamento a un computer



*Per i dettagli, consultare “Collegamenti e preparazioni” nelle Istruzioni per l’uso sul CD-ROM in dotazione.*

## Collegamento a un Trasmettitore Sincronizzato 3D



### Nota

Si può utilizzare un trasmettitore sincronizzato 3D separato dall'unità, mediante un cavo opzionale LAN (di tipo diretto).

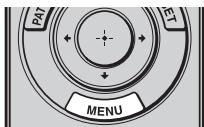
Se l'ambiente di utilizzo subisce continue interferenze di una particolare frequenza, i segnali dell'immagine 3D e degli occhiali 3D di sincronizzazione potrebbero disperdersi. In tal caso, utilizzare un cavo LAN classificato Categoria 7.

Per visualizzare immagini 3D in un ambiente con interferenze ancora maggiori, utilizzare il trasmettitore incorporato.

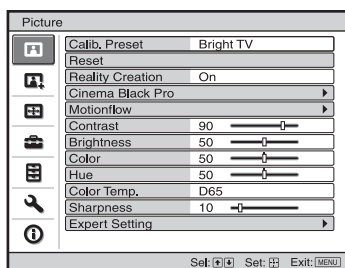
*Per i dettagli, consultare "Collegamenti e preparazioni" nelle Istruzioni per l'uso sul CD-ROM in dotazione.*

È possibile scegliere fra 16 lingue di presentazione del menu e di altre visualizzazioni su schermo. L'impostazione predefinita di stabilimento è l'inglese. Per cambiare la lingua del menu attuale, impostare la lingua desiderata con la schermata del menu.

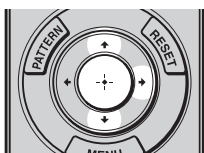
## 1 Premere MENU.



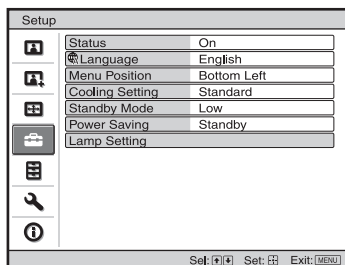
Appare il menu.



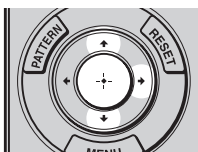
## 2 Premere ↑/↓ per selezionare il menu Setup e premere → o ⏸.



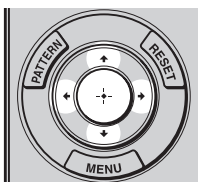
Vengono visualizzate le voci di impostazione del menu selezionato.



## 3 Premere ↑/↓ per selezionare "Language" e premere → o ⏸.



## 4 Premere ↑/↓/←/→ per selezionare una lingua, quindi premere ⏸.



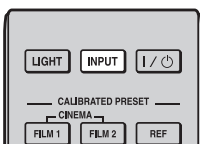
Il menu passa alla lingua selezionata.

## Cancellazione del menu

Premere MENU.

## Proiezione dell'immagine

- 1 Accendere il proiettore e l'apparecchiatura ad esso collegata.
- 2 Premere INPUT per visualizzare sullo schermo gli ingressi disponibili.



- 3 Selezionare l'apparecchiatura della quale visualizzare le immagini. Premere ripetutamente INPUT oppure premere  $\uparrow/\downarrow/\oplus$  (invio) per selezionare l'apparecchiatura di cui proiettare le immagini.



Esempio: per visualizzare l'immagine dall'apparecchiatura video collegata al connettore HDMI 1 di questa unità.

possibile accendere la lampada con l'interruttore I/O (accensione/attesa).

La ventola si arresta e la spia ON/STANDBY passa da luce verde lampeggiante a rosso fisso.

Questo indica lo spegnimento completo dell'alimentazione. È ora possibile rimuovere il cavo di alimentazione.

### Nota

Non scollegare mai il cavo di alimentazione mentre l'indicatore lampeggia.

È possibile spegnere il proiettore tenendo premuto l'interruttore I/O (accensione/attesa) per circa 1 secondo, invece di eseguire la procedura precedentemente indicata.

## Spegnimento dell'alimentazione

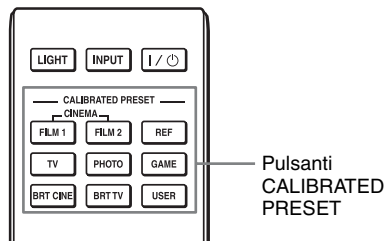
- 1 Premere l'interruttore I/O (accensione/attesa).  
Sullo schermo appare il messaggio "DISATTIVARE?".
- 2 Premere di nuovo l'interruttore I/O (accensione/attesa) prima che il messaggio scompaia.  
La spia ON/STANDBY lampeggia in verde e la ventola continua a girare per ridurre il calore interno. Innanzi tutto la spia ON/STANDBY lampeggia rapidamente e nel mentre non sarà

*Per i dettagli, consultare "Proiezione" nelle Istruzioni per l'uso sul CD-ROM in dotazione.*



## Selezione della modalità di visualizzazione dell'immagine

Premere uno dei pulsanti CALIBRATED PRESET.



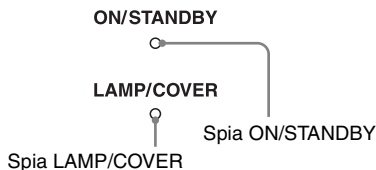
Voci di impostazione	Descrizione
CINEMA FILM 1	Qualità dell'immagine adatta alla riproduzione di immagini chiare e dinamiche tipiche delle pellicole positive master.
CINEMA FILM 2	Qualità dell'immagine adatta alla riproduzione delle ricche tonalità e colori tipiche di un movie theater.
REF	Impostazione della qualità dell'immagine adatta per la riproduzione fedele della qualità dell'immagine originale o per ottenere una qualità dell'immagine senza alcuna regolazione.
TV	Qualità dell'immagine adatta per la visione di programmi TV, sport, concerti ecc.
PHOTO	Ideale per proiettare fotografie scattate con una fotocamera digitale.
GAME	Qualità dell'immagine adatta per i giochi, con colori ben modulati e risposta rapida.
BRT CINE	Qualità dell'immagine adatta per guardare film in un ambiente luminoso, ad esempio un soggiorno.
BRT TV	Qualità dell'immagine adatta per guardare programmi televisivi, sport, concerti e altri video in un ambiente luminoso, ad esempio un soggiorno.
USER	Regola la qualità dell'immagine in modo personale e salva l'impostazione. L'impostazione predefinita è uguale a "REF".

*Per i dettagli, consultare "Proiezione" nelle Istruzioni per l'uso sul CD-ROM in dotazione.*

# Gestione degli errori

## Spie di avvertenza

La spia ON/STANDBY o LAMP/COVER si illumina o lampeggia in caso di problemi del proiettore.



Sintomo	Causa e rimedio
LAMP/COVER lampeggia in rosso. (frequenza di ripetizione di 2 lampeggi)	<ul style="list-style-type: none"><li>→ Chiudere saldamente il coperchio della lampada, quindi serrare saldamente le viti.</li><li>→ Chiudere saldamente la sede del filtro.</li></ul>
LAMP/COVER lampeggia in rosso. (frequenza di ripetizione di 3 lampeggi)	<ul style="list-style-type: none"><li>→ La lampada ha raggiunto il limite della sua vita utile. Sostituire la lampada.</li><li>→ La lampada ha raggiunto una temperatura elevata. Attendere che la lampada si raffreddi, quindi riaccendere l'alimentazione.</li></ul>
ON/STANDBY lampeggia in rosso. (frequenza di ripetizione di 4 lampeggi)	<ul style="list-style-type: none"><li>→ La ventola è guasta. Rivolgersi a personale Sony qualificato.</li></ul>
ON/STANDBY lampeggia in rosso. (frequenza di ripetizione di 2 lampeggi)	<ul style="list-style-type: none"><li>→ La temperatura interna è insolitamente elevata. Verificare che le prese di ventilazione non siano ostruite oppure se il proiettore viene usato a quota elevata.</li></ul>
ON/STANDBY lampeggia in rosso. (frequenza di ripetizione di 6 lampeggi)	<ul style="list-style-type: none"><li>→ Premere l'interruttore I/⏻ (accensione/attesa) per accendere il proiettore. Se l'alimentazione non si accende, scollegare il cavo di alimentazione c.a. e verificare che la spia ON/STANDBY sia spenta. Dopo circa 10 secondi, ricollegare il cavo di alimentazione c.a. e riaccendere l'alimentazione. Se le spie si illuminano ancora, c'è un guasto dell'impianto elettrico. Rivolgersi a personale Sony qualificato.</li></ul>

### Nota

Se dovesse lampeggiare una spia di avvertenza diversa da quelle citate e il problema persiste anche dopo aver effettuato le precedenti operazioni, rivolgersi a personale Sony qualificato.

*Per eventuali problemi o a seguito della comparsa di un messaggio d'errore sullo schermo, consultare "Risoluzione dei problemi" nelle Istruzioni per l'uso sul CD-ROM in dotazione.*

## Sostituzione della lampada

### Attrezzatura necessaria:

- **Lampada per proiettore LMP-H202 (opzionale)**
- **Normale cacciavite con punta a croce**
- **Panno (per evitare i graffi)**

La lampada che costituisce la sorgente luminosa ha una determinata vita utile. Se la luminosità della lampada diminuisce, il bilanciamento del colore dell'immagine è anormale, oppure appare sullo schermo "Sostituire la lampada/filtro.", la lampada potrebbe essere esaurita. Sostituire subito la lampada con una nuova.

Come lampada di ricambio per proiettore usare la LMP-H202.

Insieme alla lampada per proiettore LMP-H202 viene fornito il filtro dell'aria. Quando si sostituisce la lampada, è necessario sostituire anche il filtro dell'aria.

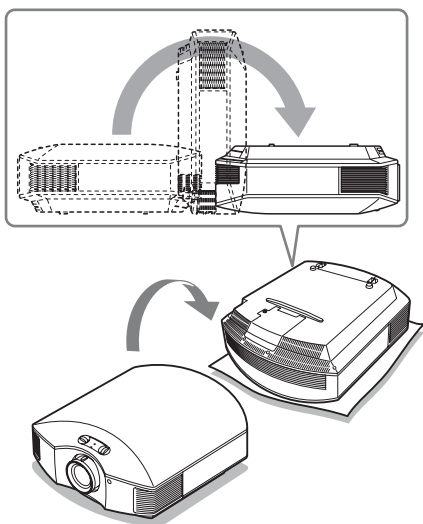
Quando si sostituisce la lampada, non dimenticare di sostituire il filtro dell'aria con uno nuovo. Pulire anche le prese di ventilazione (aspirazione).

### Attenzione

- La lampada è ancora calda dopo aver spento il proiettore con l'interruttore I/⏻ (accensione/attesa). Toccando la lampada, ci si potrebbe ustionare le dita. Quando si sostituisce la lampada, aspettare almeno 1 ora che si raffreddi.
- Non toccare la superficie dell'obiettivo. Se venisse toccata, pulire le ditate con un panno morbido.
- Prestare particolare attenzione alla sostituzione della lampada di un proiettore installato sul soffitto.
- Per rimuovere l'unità della lampada, mantenerla orizzontale e tirare direttamente verso l'alto. Non inclinare l'unità della lampada. Se tirando fuori l'unità della lampada in posizione inclinata la lampada si rompe, i frammenti potrebbero disperdersi e provocare lesioni.
- Nel smontare il filtro dell'aria, prestare attenzione a non far cadere della polvere nel proiettore.

- Per mantenere delle buone prestazioni del proiettore e per evitare guasti, è fondamentale la sostituzione del filtro dell'aria. Quando appare un messaggio di avvertenza di sostituzione del filtro dell'aria, sostituirlo immediatamente.

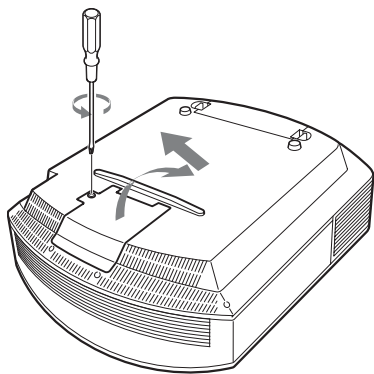
- 1 Spegnere il proiettore e scollegare il cavo di alimentazione c.a.
- 2 Quando si posa il proiettore su un piano quale una scrivania ecc., usare un panno per evitare di graffiarne la superficie. Ribaltare il proiettore come indicato, quindi posarlo sul panno.



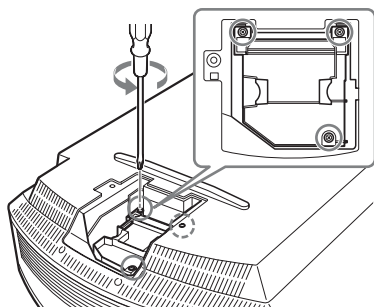
### Note

- Se la lampada viene danneggiata i pezzi possono spargersi, se non si capovolge il proiettore. Pericolo di lesioni.
- Controllare che il proiettore sia posato su un piano stabile.

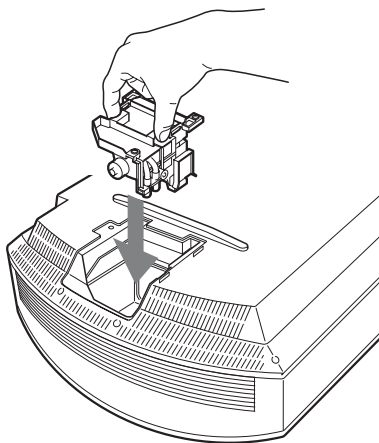
- 3** Svitare con un cacciavite con punta a croce la vite del coperchio della lampada, quindi aprirlo.



- 4** Allentare le 3 viti sulla lampada con il cacciavite con punta a croce. Sollevare la maniglia, quindi tirare fuori la lampada direttamente verso l'alto.



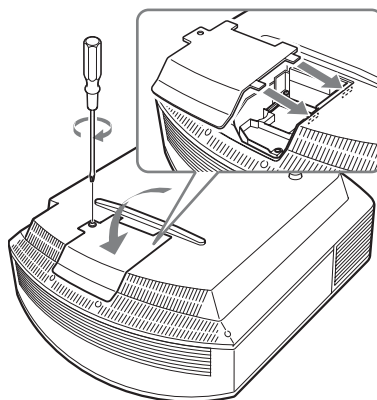
- 5** Afferrare la maniglia della lampada nuova e spingerla decisamente verso l'interno finché arriva in fondo, quindi serrare le 3 viti.



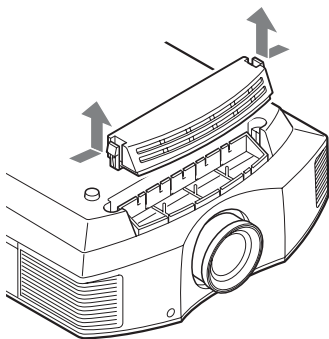
**Nota**

Prestare attenzione a non toccare il blocco ottico all'interno dell'unità.

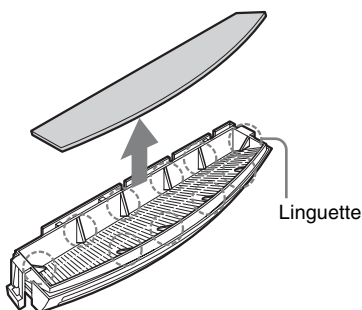
- 6** Chiudere il coperchio della lampada, quindi serrare le viti.



**7** Smontare la sede del filtro.



**8** Smontare il filtro dell'aria.



**9** Montare il nuovo filtro dell'aria in modo che si inserisca in ciascuna delle linguette (10 posizioni) nella sede del filtro.

**Nota**

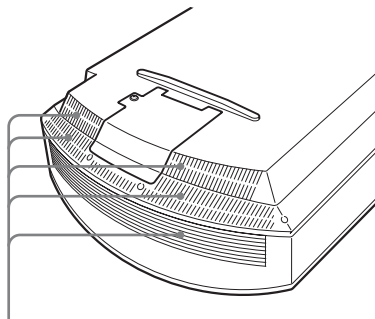
Montare il filtro dell'aria sistemandolo nella apposita sede.  
Inoltre, non toccare la ventola dopo aver smontato il filtro dell'aria che si trova molto all'interno del proiettore.

**10** Montare la sede del filtro.

**Nota**


Il proiettore non si accenderà se la sede del filtro non fosse chiusa saldamente.

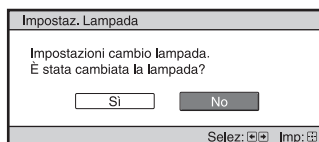
**11** Togliere la polvere dalle prese di ventilazione (aspirazione) usando un panno morbido.



Prese di ventilazione (aspirazione)

**12** Rimettere il proiettore nella posizione originale.

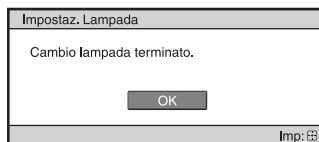
**13** Accendere il proiettore, quindi selezionare la voce di impostazione desiderata nel menu Impostazione . Verrà visualizzata la schermata di menu che segue.



**Suggerimento**

Se "Blocco impost." è impostato su "Livello B", impostarlo una volta su "Disin."

**14** Selezionare "Sì".



### Attenzione

Non infilare le mani nella sede di sostituzione della lampada e fare in modo che non ci cadano dei liquidi o degli oggetti per evitare scossa elettrica o incendio.

### Note

- Per la sostituzione, usare unicamente una lampada per proiettore LMP-H202. Usando lampade diverse dalla LMP-H202, il proiettore potrebbe guastarsi.
- Prima di sostituire la lampada, spegnere il proiettore e scollegare il cavo di alimentazione, quindi verificare che la spia ON/STANDBY si sia già spenta.
- Il proiettore non si accenderà se la lampada non è montata saldamente in posizione.
- Il proiettore non si accenderà se il coperchio della lampada non è chiuso saldamente.
- Per cancellare un messaggio visualizzato sullo schermo, premere il pulsante sul telecomando o sul pannello di controllo del proiettore.

### Nota

La lampada contiene del mercurio. Le norme per lo smaltimento dei tubi fluorescenti esauriti dipendono dal paese di residenza. Seguire le regolamentazioni di smaltimento dei rifiuti applicabili nel proprio paese.

## Pulizia del filtro dell'aria

Quando appare sullo schermo “Pulire il filtro.”, è necessario pulire il filtro dell'aria. Il filtro dell'aria dovrebbe essere pulito ogni 1.500 ore. Questo valore varia in funzione dell'ambiente o di come è usato il proiettore. 1.500 ore è un valore approssimato. Dopo aver lavato il filtro dell'aria con una soluzione di detersivo delicato, farlo asciugare all'ombra.

### Note

- Quando si pulisce il filtro dell'aria, verificare di non danneggiarlo.  
Per informazioni su come fissare e rimuovere il filtro dell'aria, vedere “Sostituzione della lampada” Punti da 7 a 10. (pagina 21)
- Nel smontare il filtro dell'aria, prestare attenzione a non far cadere della polvere nel proiettore.
- Per mantenere delle buone prestazioni del proiettore e per evitare guasti, è fondamentale la pulizia del filtro dell'aria. Quando appare un messaggio di avvertenza di pulizia del filtro dell'aria, pulirlo immediatamente.



# О документе Краткое справочное руководство

В данном документе Краткое справочное руководство описана установка и основные операции для проецирования изображений. В этом руководстве также содержатся важные примечания и предупреждения, которым следует уделять особое внимание при обращении с аппаратом и его эксплуатации.

При необходимости см. “Предупреждающие индикаторы,” “Замена лампы” и “Очистка воздушного фильтра”

Для получения дополнительной информации об операциях см. документ Инструкция по эксплуатации, содержащийся на прилагаемом компакт-диске.

## Шаг 1.

**Подготовка** ..... Стр. 8

## Шаг 2.

**Установка устройства** ..... Стр. 10

## Шаг 3.

**Подключение устройства**..... Стр. 12

## Шаг 4.

**Выбор языка меню**..... Стр. 16

## Шаг 5.

**Проецирование** ..... Стр. 17

---

## Устранение ошибок

**Предупреждающие индикаторы** ..... Стр. 19

## Техническое обслуживание

**Замена лампы**..... Стр. 20

**Очистка воздушного фильтра** ..... Стр. 23



**видеопроектор**  
**VPL-HW55ES**  
**VPL-HW40ES**

Внимательно прочтите настоящее руководство перед началом эксплуатации аппарата и сохраните его для справки на будущее.

## **ПРЕДУПРЕЖДЕНИЕ**

**Для снижения риска возгорания и поражения электрическим током не допускайте воздействия на аппарат влаги и сырости. Чтобы исключить риск поражения электрическим током, не вскрывайте корпус. Обслуживание аппарата должны выполнять только квалифицированные специалисты.**

**ПРЕДУПРЕЖДЕНИЕ**  
**ДАННОЕ УСТРОЙСТВО ДОЛЖНО БЫТЬ ЗАЗЕМЛЕНО.**

### **ПРЕДУПРЕЖДЕНИЕ**

При установке устройства используйте легкодоступный прерыватель питания с фиксированной проводкой или подключите провод питания к легкодоступной настенной розетка, расположенной рядом с устройством. Если в процессе эксплуатации блока возникнет неисправность, с помощью прерывателя отключите питание, или отсоедините провод питания.

### **ПРЕДУПРЕЖДЕНИЕ**

**1** Используйте разрешенные к применению шнур питания (с 3-жильным силовым проводом) / разъем для подключения бытовых приборов / штепсельную вилку с заземляющими контактами, соответствующие действующим нормам техники безопасности каждой отдельной страны.

**2** Используйте шнур питания (с 3-жильным силовым проводом) / разъем для подключения бытовых приборов / штепсельную вилку, соответствующие допустимым номинальным характеристикам (напряжение, сила тока).

В случае вопросов относительно использования упомянутых выше шнура питания / разъема для подключения бытовых приборов / штепсельной вилки, пожалуйста, обращайтесь к квалифицированным специалистам по сервисному обслуживанию.

### **SONY**

Сони Корпорейшн

1-7-1, Конан, Минато-ку, Токио, Япония, 108-0075

Сделано в ЯПОНИИ

Импортер на территории стран Таможенного союза  
ЗАО «Сони Электроникс», Россия, 123103, Москва, Карамышевский проезд, 6

Это устройство является проектором для проецирования изображений с подключенного компьютера или видеоборудования.

Организация, уполномоченная принимать претензии от пользователей на территории Казахстана:  
ЗАО «Сони Электроникс»  
Представительство в Казахстане  
050059 Алматы, улица Иванилова, д. 58

Год производства: см. паспортную табличку на изделии.

Пример: (2013-01)  
2013: означает год  
01: означает месяц

---

# Меры предосторожности

---

## Безопасность

- Проверьте, соответствует ли рабочее напряжение вашего устройства напряжению питания местной электрической сети.
- В случае попадания внутрь корпуса каких-либо жидкостей или посторонних предметов отсоедините устройство от электрической сети и обратитесь к квалифицированному персоналу для его проверки перед дальнейшей эксплуатацией.
- Выключите устройство из сетевой розетки, если не планируете использовать его в течение нескольких дней.
- При отключении шнура тяните его за вилку. Никогда не тяните непосредственно за шнур.
- Сетевая розетка должна находиться возле устройства и быть легко доступной.
- Пока устройство подключено к источнику переменного тока, на него по-прежнему подается электропитание, даже если само устройство выключено.
- Не смотрите в объектив проектора при включенной лампе.
- Не подносите руки или предметы к вентиляционным отверстиям. Из них выходит горячий воздух.

---

## О предотвращении внутреннего перегрева

После выключения питания с помощью кнопки I/⏻ (ON/STANDBY) не отключайте устройство от сетевой розетки, пока работает вентилятор.

## Осторожно

Данное устройство оборудовано вентиляционными отверстиями (впускными и выпускными). Не блокируйте и не располагайте ничего возле этих отверстий, в противном случае возможен внутренний

перегрев, что приведет к ухудшению изображения или повреждению устройства.

---

## О повторной упаковке

Сохраните оригинальную транспортировочную упаковку, она транспортируется при возможной транспортировке устройства. Для максимальной защиты повторно упакуйте устройство так, как оно было упаковано на заводе.

---

## Просмотр видеоизображений 3D

### Правила техники безопасности

- 3D-очки можно использовать только для просмотра 3D-видеоизображений.
- Если вы ощущаете мерцание или мигание света, выключите освещение в комнате.
- Запрещается использование детьми без присмотра взрослых.
- Соблюдайте осторожность, чтобы при складывании дужек 3D-очков не прищемить пальцы.
- Не роняйте и не модифицируйте эти 3D-очки.
- Если очки разбились, не допускайте попадания осколков в рот или в глаза.

---

## Жидкокристаллический проектор

ЖК-проектор создан с использованием высокоточных технологий. Однако, на экране ЖК-проектора могут периодически появляться мелкие черные и/или яркие (красные, синие или зеленые) точки. Этот эффект является нормальным результатом производственного процесса и не свидетельствует о неисправности. Кроме того, при использовании для проецирования на один экран нескольких ЖК-проекторов, даже одной модели, цветопередача разных проекторов может отличаться, так как баланс цвета на них может быть настроен по-разному.

## О конденсации

При быстром изменении температуры в помещении, в котором установлен проектор, или при быстром перемещении проектора из холодного в теплое место внутри него может образоваться конденсат. Так как конденсат может привести к неисправности, соблюдайте осторожность при изменении настроек температуры кондиционера. При образовании конденсата перед использованием проектора оставьте его включенным приблизительно на два часа.

КОМПАНИЯ SONY НЕ НЕСЕТ ОТВЕТСТВЕННОСТИ ЗА КАКОЙ БЫ ТО НИ БЫЛО УЩЕРБ, ВОЗНИКШИЙ ВСЛЕДСТВИЕ НЕСОБЛЮДЕНИЯ МЕР ПРЕДОСТОРОЖНОСТИ ПРИ ИСПОЛЬЗОВАНИИ УСТРОЙСТВ ПЕРЕДАЧИ ДАННЫХ, НЕИЗБЕЖНЫХ УТЕЧЕК ИНФОРМАЦИИ, СВЯЗАННЫХ СО СПЕЦИФИКАЦИЯМИ ПЕРЕДАЧИ ДАННЫХ, ИЛИ ПРОБЛЕМ БЕЗОПАСНОСТИ ЛЮБОГО РОДА.

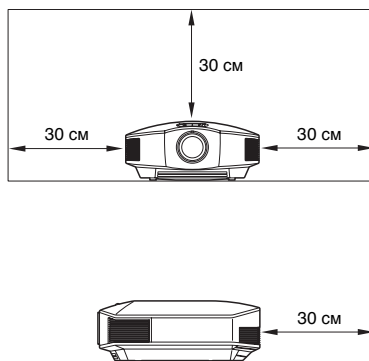
## Примечания по установке и эксплуатации

### Недопустимые варианты установки

Не размещайте устройство в следующих условиях, которые могут привести к неисправности или повреждению устройства.

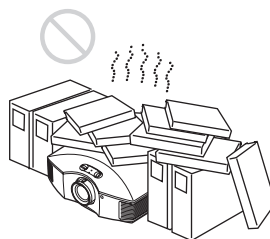
#### Рядом со стенами

Для обеспечения производительности и надежности устройства оставьте место между стенами и устройством, как показано на рисунке.



#### Помещение с плохой вентиляцией

Оставьте вокруг устройства минимальное пространство в 30 см.

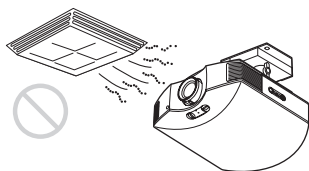


## Жаркое и влажное помещение



### Помещения, подверженные воздействию потока холодного или теплого воздуха из кондиционера

Установка в таком месте может привести к неисправности устройства вследствие конденсации влаги или повышения температуры.



### Рядом с датчиком тепла или дыма

Это может привести к ложному срабатыванию датчика.



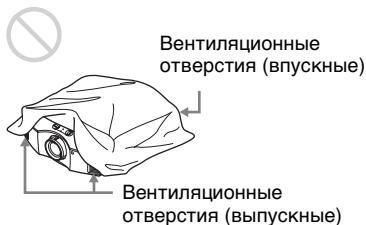
### Сильно запыленные или сильно задымленные помещения



## Недопустимые условия эксплуатации

При использовании данного устройства запрещается выполнять следующие операции.

### Блокировка вентиляционных отверстий (впускные и выпускные)

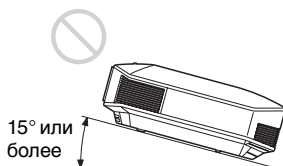
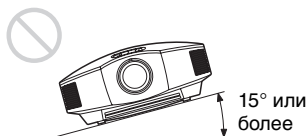


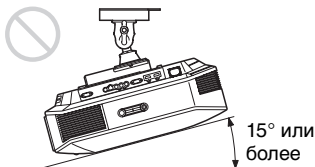
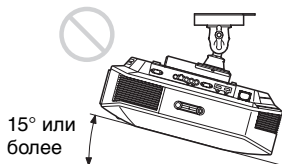
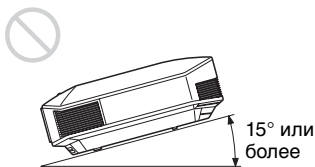
### Наклон вперед/назад и вправо/влево

Избегайте использования устройства с наклоном под углом более 15 градусов.

Устанавливайте устройство только на ровной поверхности или на потолке. Установка устройства в таком месте может привести к искажению цветов или снижению надежности работы лампы.

Если устройство наклонено вверх или вниз, изображение на экране может быть трапециевидным. Расположите устройство таким образом, чтобы объектив находился параллельно экрану.





падения устройства. Доверьте установку опытному специалисту по монтажу.

### Информация для дилеров

- Для установки проектора на потолке необходимо использовать кронштейн производства компании Sony или аналогичное рекомендованное крепление.
- При установке на потолок плотно закрывайте крышку корпуса.

### Установка устройства на большой высоте над уровнем моря

При использовании устройства на высоте 1500 м или выше установите для параметра “Установки охлаждения” в меню “Настройка” значение “Высокий”. Если не установить этот режим при использовании устройства высоко над уровнем моря, это может привести к неблагоприятным последствиям, например к уменьшению надежности некоторых компонентов.

### Меры предосторожности при установке устройства на потолке

- Не пытайтесь установить проектор на потолке или переместить его самостоятельно. Обязательно проконсультируйтесь с квалифицированным персоналом компании Sony, компетентным в данном вопросе.
- Устанавливая устройство на потолке, обязательно используйте страховочный шнур или другие средства для предотвращения

### Проверка аксессуаров из комплекта поставки

Проверьте упаковку на наличие следующих элементов.


- Пульт дистанционного управления (1)
- Марганцевые батарейки размера AA (R6) (2)
- Кабель переменного тока (1)
- Крышка объектива (1)  
При покупке проектора крышка объектива надета на объектив. Для использования проектора снимите крышку объектива.
- Краткое справочное руководство (данное руководство) (1)
- Инструкция по эксплуатации (компакт-диск) (1)

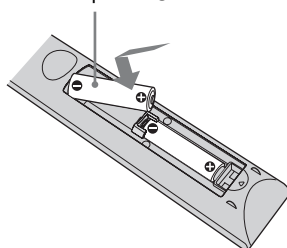
Для модели VPL-HW55ES также имеются следующие элементы.

- 3D-очки (2)
- Чехол для 3D-очков (2)
- Кабель USB для зарядки (1,2 м) (2)
- Инструкция по эксплуатации 3D-очков (1)

### Установка батарей в пульт дистанционного управления



Вставьте батареи стороной .



### ОСТОРОЖНО

При неправильной замене элементов питания возникает опасность взрыва. Используйте для замены только идентичные или эквивалентные элементы питания, рекомендуемые изготовителем.

При утилизации отработанных элементов питания необходимо следовать правилам, действующим в соответствующем регионе или стране.

### Установка батарей

К пульту дистанционного управления прилагаются две батарейки размера AA (R6).

Чтобы избежать опасности взрыва, используйте марганцевые или щелочные батарейки размера AA (R6).

### Предупреждение относительно использования пульта дистанционного управления

- Бережно обращайтесь с пультом дистанционного управления. Не бросайте его, не наступайте на него и не проливайте на него никакие жидкости.
- Не оставляйте пульт дистанционного управления вблизи источников тепла или в месте, подверженном прямому воздействию солнечных лучей, или во влажном помещении.

## **Использование руководства на компакт- диске**

Руководство можно открыть с помощью компьютера, на котором установлена программа Adobe Reader. Программу Adobe Reader можно бесплатно скачать с веб-сайта Adobe.

- 1** Откройте файл index.html на компакт-диске.
- 2** Выберите нужное руководство и щелкните по нему.

### **Примечание**

В случае утери или повреждения компакт-диска новый диск можно приобрести у ближайшего дилера Sony или в сервисном центре Sony.

- 1 Расположите устройство так, чтобы объектив находился параллельно экрану.
- 2 После подключения кабеля переменного тока к проектору подключите кабель переменного тока к сетевой розетке.

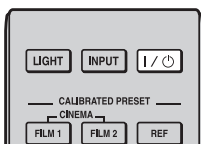
Верхняя часть устройства

**ON/STANDBY**



Горит красным цветом.

- 3 Нажмите переключатель I/⏻ (ON/STANDBY), чтобы включить проектор.



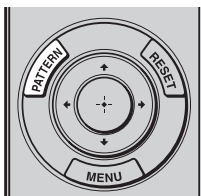
Верхняя часть устройства

**ON/STANDBY**

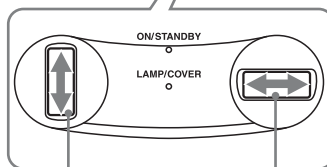
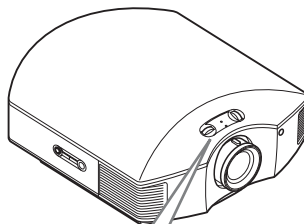


Мигает зеленым некоторое время (десять секунд), затем горит зеленым.

- 4 Нажмите кнопку PATTERN, чтобы отобразить тестовый сигнал для выполнения регулировок.



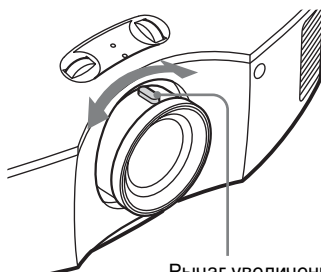
- 1 Перемещайте оба диска сдвига объектива, чтобы отрегулировать положение изображения.



Регулировка вертикального положения

Регулировка горизонтального положения

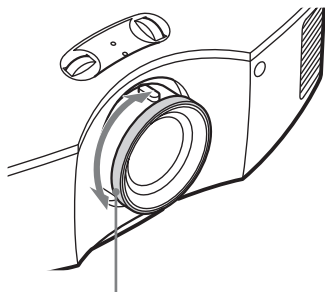
- 2 Отрегулируйте размер изображения с помощью рычага увеличения.



Рычаг увеличения

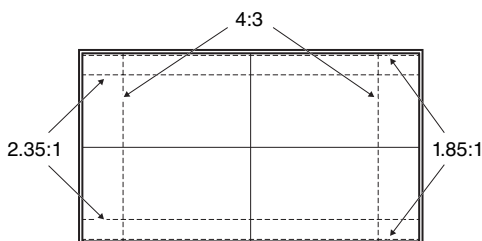


**3 Отрегулируйте фокус с помощью кольца фокусировки.**



Кольцо фокусировки

**Окно регулировки объектива  
(тестовый образец)**



Пунктирные линии указывают на размеры экрана каждого форматного соотношения.

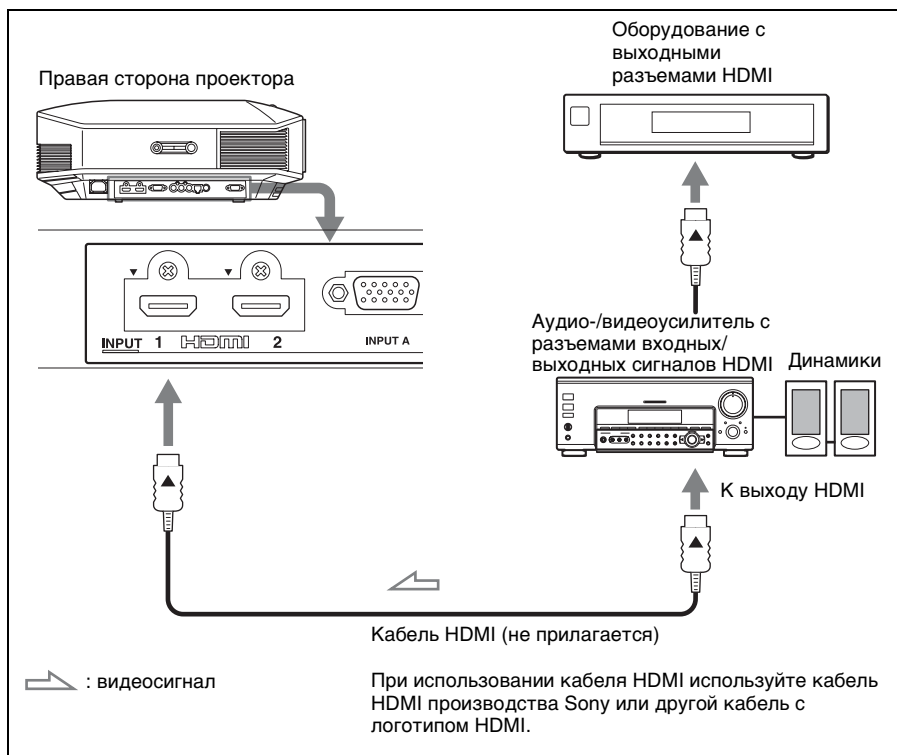
*Для получения дополнительной информации см. раздел “Соединения и подготовка” в документе Инструкция по эксплуатации, содержащемся на прилагаемом компакт-диске.*

При подключении выполните следующие действия.

- Выключите все оборудование перед выполнением любых подключений.
- Используйте соответствующий кабель для каждого соединения.
- Вставьте штекеры кабеля надлежащим образом; ненадежное соединение штекеров может привести к неисправности или низкому качеству изображения. При отсоединении кабеля тяните за штекер, а не за сам кабель.
- См. инструкции по эксплуатации подключенного оборудования.

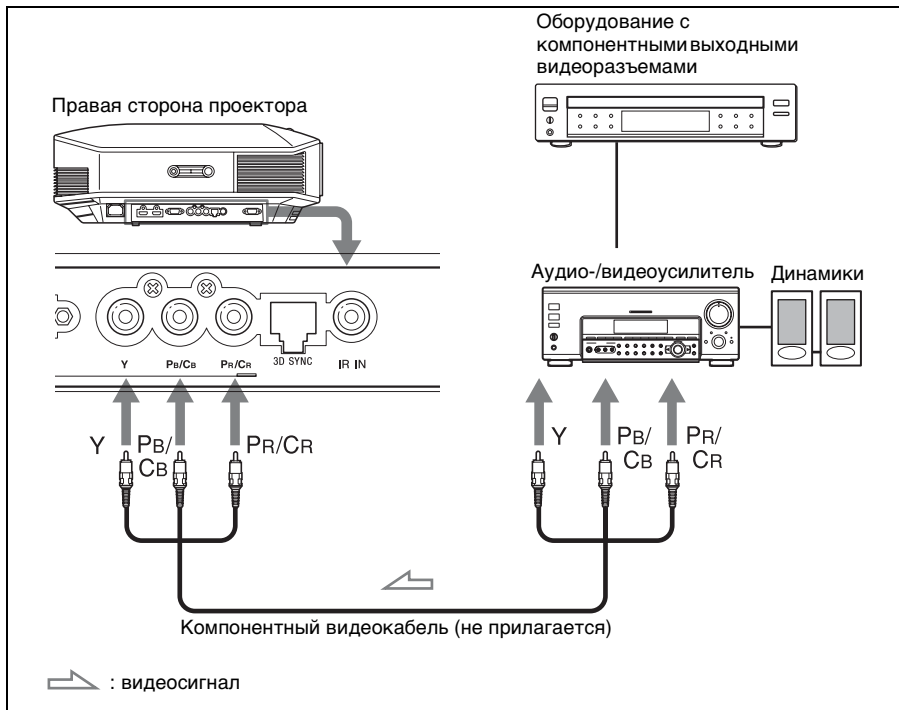
### Подключение к видеомаягнитофону

#### Подключение оборудования с выходными разъемами HDMI



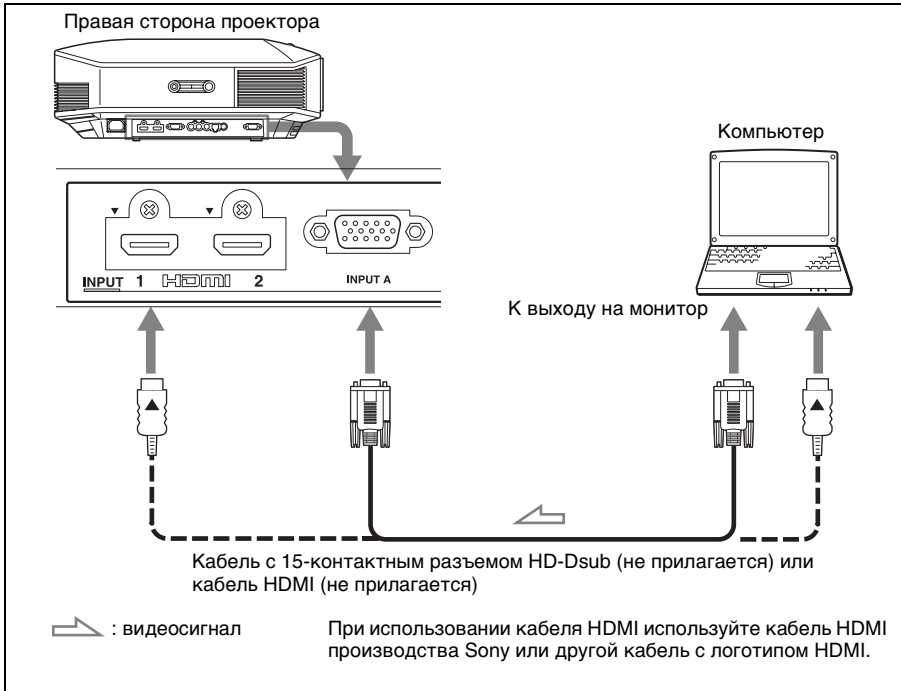
*Для получения дополнительной информации см. раздел "Соединения и подготовка" в документе Инструкция по эксплуатации, содержащемся на прилагаемом компакт-диске.*

## Подключение оборудования с компонентными выходными видеоразъемами



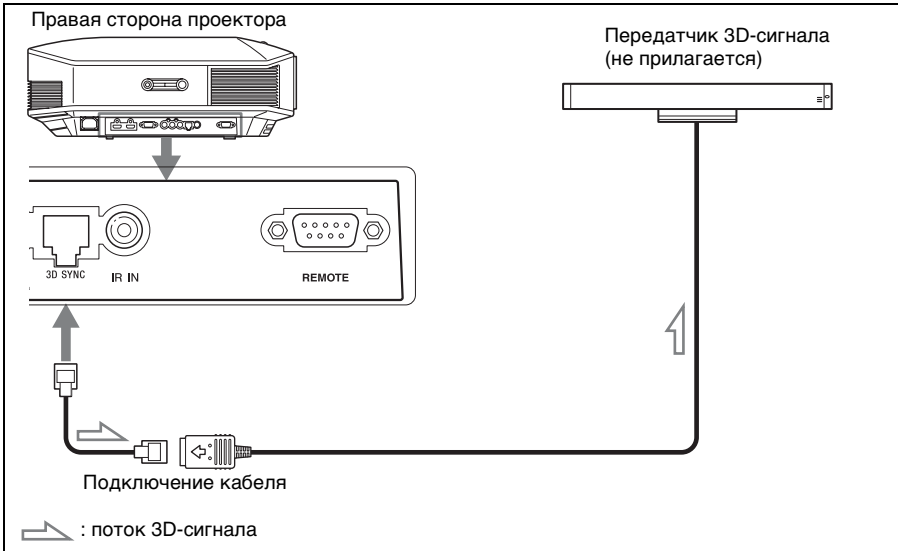
Для получения дополнительной информации см. раздел “Соединения и подготовка” в документе Инструкция по эксплуатации, содержащемся на прилагаемом компакт-диске.

## Подключение к компьютеру



*Для получения дополнительной информации см. раздел “Соединения и подготовка” в документе Инструкция по эксплуатации, содержащемся на прилагаемом компакт-диске.*

## Подключение к передатчику 3D-сигнала



### Примечание

Можно использовать передатчик 3D-сигнала отдельно от данного устройства с помощью дополнительного кабеля LAN (прямой).

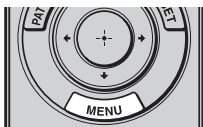
Если при использовании присутствуют помехи постоянных определенных частот, синхронизация сигнала 3D-изображения и 3D-очков может быть потеряна. В данном случае используйте кабель LAN категории 7.

При просмотре 3D-изображений в среде с большим количеством помех используйте внутренний передатчик.

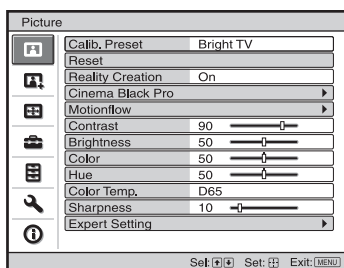
*Для получения дополнительной информации см. раздел “Соединения и подготовка” в документе Инструкция по эксплуатации, содержащемся на прилагаемом компакт-диске.*

Для отображения меню и других экранных индикаторов можно выбрать один из 16 языков. По умолчанию установлен английский язык. Для изменения текущего языка меню выберите необходимый язык в экране меню.

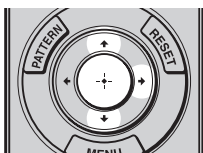
### 1 Нажмите кнопку MENU.



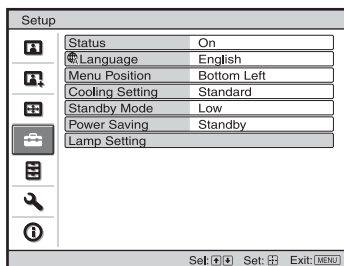
Появится меню.



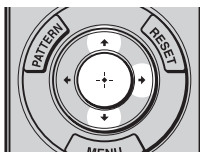
### 2 Нажмите ↑/↓, чтобы выбрать меню Setup, затем нажмите → или ⏏.



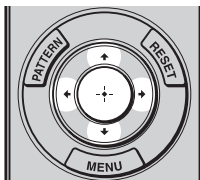
Отобразятся настройки элементов выбранного меню.



### 3 Нажмите ↑/↓, чтобы выбрать “Language”, затем нажмите → или ⏏.



### 4 Нажмите ↑/↓/←/→, чтобы выбрать язык, затем нажмите ⏏.



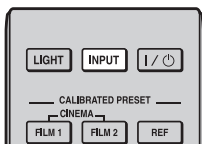
Язык меню изменится на выбранный язык.

### Закрытие меню

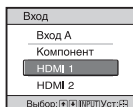
Нажмите кнопку MENU.

## Проецирование изображения

- 1 Включите проектор и оборудование, подключенное к устройству.
- 2 Нажмите INPUT для отображения панели входа на экране.



- 3 Выберите оборудование, с которого следует отображать изображения. Нажимайте повторно INPUT или нажмите  $\uparrow/\downarrow/\odot$  (ввод) для выбора оборудования, с которого следует выполнять проекцию.



Пример: для просмотра изображения с видеоборудования, подключенного к разъему HDMI 1 данного устройства.

внутреннего охлаждения. Сначала индикатор ON/STANDBY мигает быстро, в это время не удастся зажечь лампу с помощью переключателя I/O (ON/STANDBY).

Вентилятор остановится, а индикатор ON/STANDBY изменит состояние, он перестанет мигать зеленым и будет гореть красным.

Питание будет полностью отключено, можно отсоединить кабель питания переменного тока.

### Примечание

Никогда не отсоединяйте кабель питания переменного тока, когда мигает индикатор.

Можно отключить проектор, удерживая переключатель I/O (ON/STANDBY) около 1 секунды, не выполняя вышеуказанные действия.

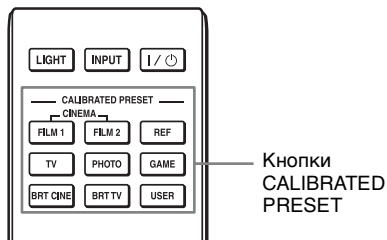
## Выключение питания

- 1 Нажмите переключатель I/O (ON/STANDBY). На экране отобразится сообщение «ПИТАНИЕ ВЫКЛ?»
- 2 Нажмите переключатель I/O (ON/STANDBY) еще раз до того, как сообщение исчезнет. Индикатор ON/STANDBY будет мигать зеленым, а вентилятор продолжать работать для

*Для получения дополнительной информации см. раздел «Проецирование» в документе Инструкция по эксплуатации, содержащемся на прилагаемом компакт-диске.*

## Выбор режима просмотра изображений

Нажмите одну из кнопок CALIBRATED PRESET.



Позиции настроек	Описание
CINEMA FILM 1	Качество изображения, подходящее для воспроизведения высокодинамичных и четких изображений, типичных для позитивов.
CINEMA FILM 2	Качество изображения, подходящее для воспроизведения насыщенных и цветных изображений, типичных для кинотеатров.
REF	Настройка качества изображения, подходящая для воспроизведения достоверного оригинального изображения или отображения качества изображения без каких-либо регулировок.
TV	Качество изображения, подходящее для просмотра телевизионных программ, спортивных мероприятий, концертов и др.
PHOTO	Идеально подходит для проецирования фотоснимков, снятых цифровой камерой.
GAME	Качество изображения, подходящее для игр с хорошо модулированными цветами и малым временем отклика.
BRT CINE	Качество изображения, подходящее для просмотра фильмов в условиях яркого освещения, например в гостиной.
BRT TV	Качество изображения, подходящее для просмотра телевизионных программ, спортивных мероприятий, концертов и других видеозаписей в условиях яркого освещения, например в гостиной.
USER	Настройка качества изображения в соответствии с личными предпочтениями и сохранение настройки. Заводская настройка по умолчанию такая же, как и для режима "REF".

*Для получения дополнительной информации см. раздел "Проецирование" в документе Инструкция по эксплуатации, содержащемся на прилагаемом компакт-диске.*



# Устранение ошибок

## Предупреждающие индикаторы

Индикатор ON/STANDBY или LAMP/COVER загорается или мигает в случае неисправности проектора.



Симптом	Вероятная причина и метод устранения
LAMP/COVER мигает красным. (Мигает сериями по 2 вспышки)	<ul style="list-style-type: none"><li>→ Плотно закройте крышку лампы, затем надежно затяните винты.</li><li>→ Надежно закройте держатель фильтра.</li></ul>
LAMP/COVER мигает красным. (Мигает сериями по 3 вспышки)	<ul style="list-style-type: none"><li>→ Подошел конец срока службы лампы. Замените лампу.</li><li>→ Высокая температура лампы. Подождите, пока лампа остынет, и включите снова.</li></ul>
ON/STANDBY мигает красным. (Мигает сериями по 4 вспышки)	<ul style="list-style-type: none"><li>→ Вентилятор вышел из строя. Обратитесь к квалифицированному персоналу Sony.</li></ul>
ON/STANDBY мигает красным. (Мигает сериями по 2 вспышки)	<ul style="list-style-type: none"><li>→ Необычно высокая внутренняя температура. Убедитесь, что ничто не блокирует вентиляционные отверстия и проектор не используется высоко над уровнем моря.</li></ul>
ON/STANDBY мигает красным. (Мигает сериями по 6 вспышек)	<ul style="list-style-type: none"><li>→ Нажмите переключатель I/⏻ (ON/STANDBY), чтобы включить проектор. Если питание не включено, отключите кабель питания переменного тока, затем убедитесь, что индикатор ON/STANDBY выключен. После 10 секунд заново подключите кабель питания переменного тока и включите питание снова. Если индикатор все еще горит, электрическая система неисправна. Обратитесь к квалифицированному персоналу Sony.</li></ul>

### Примечание

Если начинает мигать предупреждающий индикатор, отличный от вышеуказанных, и симптомы остаются даже после выполнения вышеуказанных действий, обратитесь к квалифицированному персоналу Sony.

*При возникновении каких-либо проблем или отображении сообщения об ошибке на экране см. раздел “Поиск и устранение неисправностей” в документе Инструкция по эксплуатации, содержащемся на прилагаемом компакт-диске.*

## Замена лампы

Потребуется следующие инструменты:

- Лампа проектора LMP-H202 (дополнительно)
- Стандартная крестообразная отвертка
- Ткань (для защиты от царапин)

Лампа, используемая в качестве источника питания, имеет определенный срок службы. Если лампа тускнеет, баланс цвета становится странным или на экране отображается сообщение “Замените, пожалуйста, лампу/фильтр.”, подошел конец срока службы лампы.

Незамедлительно замените лампу на новую.

В качестве запасной используйте лампу проектора LMP-H202.

Воздушный фильтр прилагается к лампе проектора LMP-H202. В случае замены лампы необходимо также заменить воздушный фильтр.

При каждой замене лампы обязательно заменяйте воздушный фильтр на новый. Также очистите вентиляционные отверстия (впускные).

### Осторожно

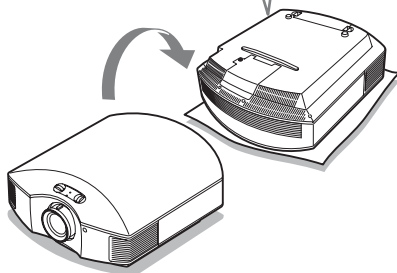
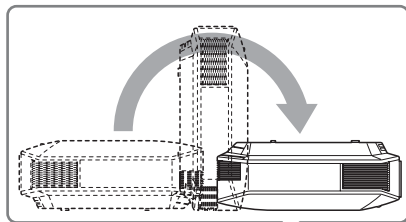
- После выключения проектора с помощью переключателя I/⏻ (ON/STANDBY) лампа остается горячей. Касание лампы может привести к ожогу пальцев. Перед заменой лампы подождите как минимум 1 час, чтобы дать лампе остыть.
- Не прикасайтесь к поверхности объектива. При касании сотрите отпечатки пальцев мягкой тканью.
- Соблюдайте особую осторожность при замене лампы, если проектор установлен на потолке.
- При извлечении лампы удерживайте ее в горизонтальном положении, а затем поднимите прямо вверх. Не наклоняйте лампу. Если во время извлечения лампы под наклоном

лампа разобьется, разлетающиеся осколки могут причинить травму.

- При замене воздушного фильтра следите за тем, чтобы в проектор не попала пыль.
- Замена фильтра является крайне важной процедурой для поддержания высокой производительности проектора и предотвращения его неисправности. При появлении предупреждающего сообщения о замене воздушного фильтра замените воздушный фильтр немедленно.

**1** Выключите питание проектора и вытащите из розетки вилку кабеля питания переменного тока.

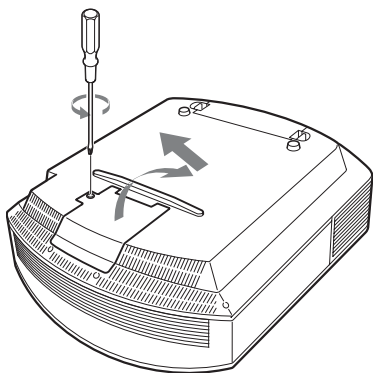
**2** При установке проектора на плоской поверхности, например на столе и т. д., положите ткань во избежание появления царапин на поверхности. Переверните проектор, как показано на следующем рисунке, и положите его на ткань.



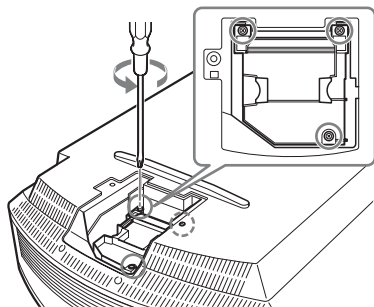
### Примечания

- Если лампа повреждена, осколки лампы могут разлететься, если не перевернуть проектор. Это может стать причиной травмы.
- Убедитесь, что проектор расположен на устойчивой поверхности.

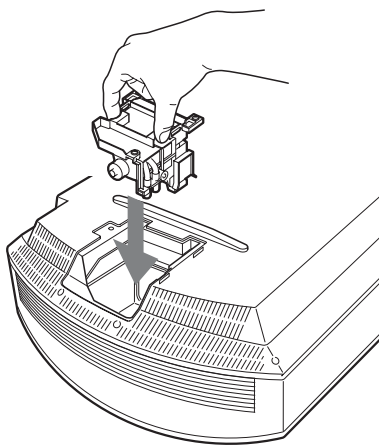
- 3** Ослабьте винт на крышке лампы крестообразной отверткой, затем откройте крышку лампы.



- 4** Ослабьте 3 винта на лампе крестообразной отверткой. Удерживая зажим, извлеките лампу без перекоса.



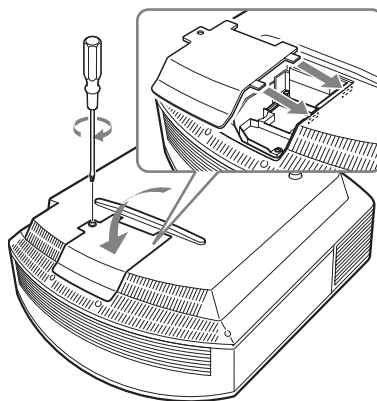
- 5** Удерживая зажим новой лампы, плотно вставьте ее до конца, а затем затяните 3 винта.



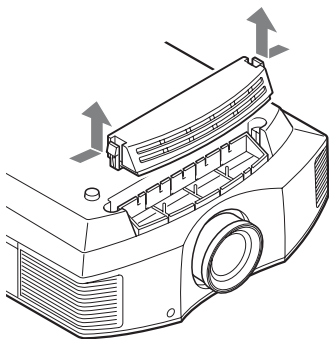
### Примечание

Соблюдайте осторожность, не прикасайтесь к оптическому блоку внутри устройства.

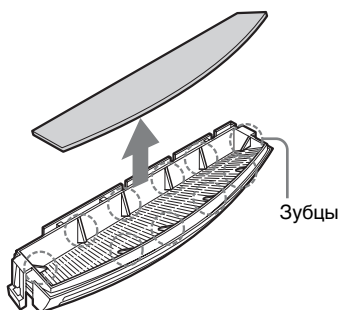
- 6** Закройте крышку лампы, затем затяните винты.



**7** Снимите держатель фильтра.



**8** Извлеките воздушный фильтр.



**9** Установите новый воздушный фильтр так, чтобы он входил во все зубцы (10 положений) на держателе фильтра.

**Примечание**

Установите воздушный фильтр, выравнивая его по форме держателя фильтра.

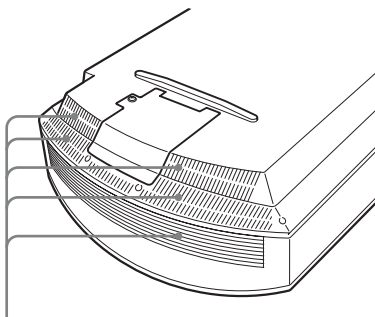
Кроме того, не прикасайтесь к вентилятору после извлечения воздушного фильтра, установленного глубоко в проекторе.

**10** Прикрепите держатель фильтра.

**Примечание**


Проектор не включится, пока не будет надежно закрыт держатель фильтра.

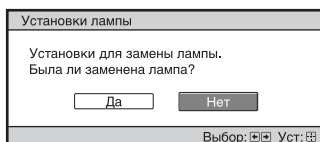
**11** Сотрите пыль с вентиляционных отверстий (впускные) мягкой тканью.



Вентиляционные отверстия (впускные)

**12** Верните проектор в его оригинальное положение.

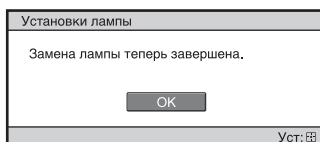
**13** Включите проектор, затем выберите требуемый элемент в меню “Настройка” . Отобразится следующий экран.



**Совет**

Если для параметра “Блок. Настроек” выбрано значение “Уровень В”, установите значение “Выкл” один раз.

**14** Выберите “Да”



### **Осторожно**

Не засовывайте руки внутрь паза, служащего для замены лампы, и не допускайте попадания в паз жидкостей или инородных предметов, чтобы исключить риск возгорания и поражения электрическим током.

### **Примечания**

- Используйте лампу проектора LMP-H202 для замены. Использование ламп, отличных от LMP-H202, может привести к неисправности проектора.
- Выключите проектор и отсоедините кабель питания перед заменой лампы, а затем убедитесь, что индикатор ON/STANDBY не горит.
- Проектор не включится, пока лампа не будет надежно установлена.
- Проектор не включится, пока не будет надежно закрыта крышка лампы.
- Для отмены отображения сообщения на экране нажмите любую кнопку на пульте дистанционного управления или на панели управления проектора.

### **Примечание**

Лампа содержит ртуть. Правила утилизации использованных люминесцентных ламп зависят от места проживания. Следуйте политике утилизации отходов, применяемой в области проживания.

## **Очистка воздушного фильтра**

При появлении на экране сообщения “Очистите, пожалуйста, фильтр” необходимо очистить воздушный фильтр.

Воздушный фильтр следует очищать каждые 1500 часов. Это значение зависит от окружающей среды и способа эксплуатации проектора. 1500 часов — приблизительная цифра. После промывки слабым раствором очищающего средства высушите воздушный фильтр в затемненном месте.

### **Примечания**

- При очистке воздушного фильтра постарайтесь его не повредить. Для получения дополнительной информации об установке и извлечении воздушного фильтра см. раздел “Замена лампы”, шаги 7–10. (стр. 22)
- При замене воздушного фильтра следите за тем, чтобы в проектор не попала пыль.
- Очистка фильтра является крайне важной процедурой для поддержания высокой производительности проектора и предотвращения его неисправности. При появлении предупреждающего сообщения об очистке воздушного фильтра очистите воздушный фильтр немедленно.

