

Technical Data Sheet

LVC-III—Low Voltage Control Module By Draper

USES:

1. The LVC-III is used to control one 115 volt motor by any of three means:
 - a. Low voltage wall switch (or an auxiliary control system with dry contacts),
 - b. RF (Radio Frequency) remote control (range 75 ft.).
 - c. IR (Infrared) remote control (range 50 ft.).These options isolate the user from a potential electrical shock.
2. The LVC-III can also be used as a Single-Pole, Double-Throw dry closure to control other equipment by the same three means listed in #1 above.

COMPATIBILITY:

LVC-S low voltage wall switch.
LVC-SL LED low voltage wall switch (connects to "Eye" port).*
WRT/R radio frequency remote control package (connects to "Eye" port).*
IRT/R infrared remote control package (connects to "Eye" port).*
SP-KSM 3-position momentary key switch (beware: Stop won't work).
Auxiliary control systems employing "dry" contacts.
KS-1 Power Supply Key Switch.
* Simultaneously using any of the controls marked with an asterisk requires a splitter.

CONTACTS:

Emulates Single-Pole, Double-Throw. Maintained for approx. 3 minutes.

RATING:

Input: 115 VAC +/- 10%, 50/60 Hz
Output: 115 VAC, 5 Amps, 50/60 Hz. Fused with 250 VAC, 6.3 Amps
UL and c-UL recognized.

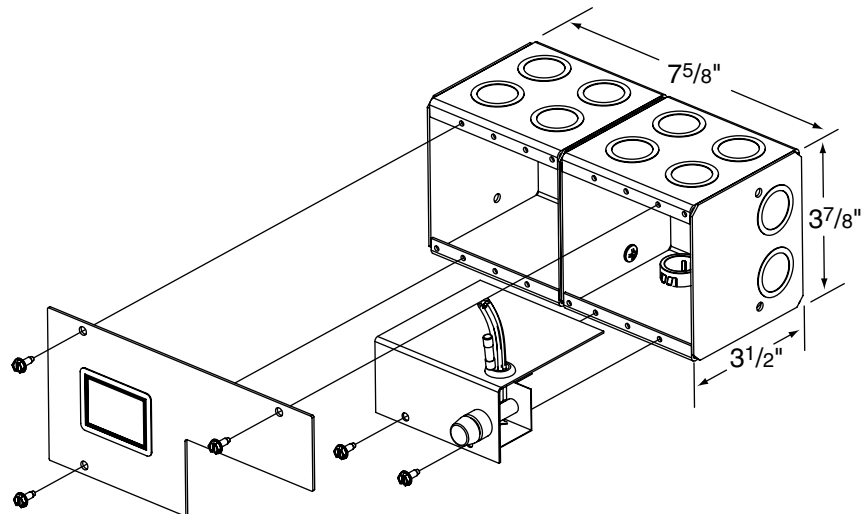
DESCRIPTION:

Two double-gang electrical boxes bolted together. One box contains the actual module, while the empty box is useful for making connections. The module contains a 3-screw terminal block for a wall switch (up, down, common), IR receiver jack, RF receiver jack, and a user-serviceable 6.3A fuse. A spare fuse is included. There is a 6-wire pigtail for Hot, Neutral, Ground, Common, Up and Down.

PART NUMBER:

121056

ILLUSTRATION:



DRAPER®

411 S. Pearl St., Spiceland, IN 47385 USA ■ 765-987-7999
www.draperinc.com ■ fax 765-987-7142