

## SPECIFICATIONS

		LY540S
MODEL INFORMATION	Inch	42" / 47" / 55" / 65"
	Category	SuperSign TV
	Production Model	42" / 47" / 55" / 65" LY540S-UA
LCD PANEL SPECIFICATION	Backlight Type	Slim Direct LED
	Resolution	1920 x 1080 (FHD)
	Brightness (cd/m <sup>2</sup> )	42", 47": 300 / 55": 330 / 65": 400
	Dynamic Contrast Ratio (Dynamic MCI) (Hz)	42", 47", 55": 2,000,000:1 / 65": 2,000,000:1
	Static (Panel) Contrast Ratio	42", 47", 55": 1200:1 / 65": 1400:1
	Viewing Angle Degree	178 x 178
	Response Time (G to G)	42", 47" : 8 / 55" : 9 / 60" : 4
	Frame Rate	42", 47", 55" : 60 Hz / 65" : 120Hz
	Life span (hrs)	30,000
BROADCASTING SYSTEM	Analog	Yes (NTSC)
	Digital	Yes
	Terrestrial	ATSC
	Cable	Clear QAM
VIDEO	XD Engine	Yes
	Real Cinema 24p (3:3 pull down)	Yes
	Aspect Ratio	Yes (8 modes) ( 16:9, Just scan, Original, Full Wide, 4:3, 14:9, Cinema Zoom 1, Zoom)
AUDIO	Audio Output	10W + 10W
	Speaker System	2.0 ch
	Sound Mode	Yes (6 modes) (Standard, News, Music, Cinema, Sport, Game)
	Sound Optimizer	Yes (3 modes) (Normal, Wall-Mount Type, Stand Type)
	Invisible Speaker	Yes
	Clear Voice	Yes
FEATURE	RF (1/2 Tuner)	Yes (1 Tuner)
	Remote Diagnosis	Yes (USB)
	MHL	Yes
	HDMI-CEC	Yes
	HTNG-CEC	Yes
	Hotel Mode / PDM / Installer Menu	Yes
	Lock Mode	Yes
	IR Out	Yes (RS232C)
	External Speaker Out	Yes (Ext Variable/Fixed, 3.5mm, Stereo, Single ended Type(GRD,L+,R+), 1W with 8Ω), Line out
	RJP Interface	Yes (RS232C, HDMI CEC)
	RJP Compatibility	Yes(LG / Teleadapt (RS232C), Teleadapt/Guestlink (HDMI CEC)
	External Power	No
	USB	Yes (USB 2.0)
	USB Auto Playback	Yes
	Moving Picture Playback (SD/HD/Plus)	Divx HD
	Picture	JPEG
	Audio Codec	MP3, AC3, MPEG, AAC,HEAAC, CDDA, LPCM
	USB Cloning	Yes
	One Channel Map / Logical Channel Map	Yes
	Multi IR Code	Yes
	Welcome Screen (Splash Image)	Yes
	Auto Off / Auto Sleep	Yes
	Smart Energy Saving	Yes
	Digital Eye (Light Sensor)	Yes
	Anti-theft System	Yes
	Kensington Lock	Yes
	Digital Signage CMS	Yes (SuperSign lite)
SET SIDE	HDMI In	1
	USB (2.0)	1
SET REAR	RF In	1
	AV In	1 (Sharing with Component in)
	Component in (Y, Pb, Pr) + Audio	1(5 holes)
	Digital Audio Out (Coaxial / Optical)	1 (Optical)
	HDMI / HDCP Input	1
	RGB In (D-sub 15pin) - PC	1
	PC Audio Input	1(Sharing with Component Audio)
	RS-232C (D-Sub 9pin)	1(Control & Service)
	LAN Port (RJ45)	1
	External Speaker Out (3.5mm phone jack)	1 (Variable/Fixed/Line Out, 3.5mm, Stereo, Single ended Type(GRD,L+,R+), 1W with 8Ω
ACCESSORY	Remote Type	L-Con
	Cable	Power cord (1.5m, Angle Type)
	Manual / ESG	Simple Manual
POWER	Voltage, Hz	100 ~ 240V, 50/60Hz
	Max (Watts)	42" : 112W / 47" : 114W / 55" : 137W / 65" : 171W
	Typical (Watts)	42" : 89W / 47" : 92W / 55" : 115W / 65" : 146W
	Stand-by	0.3W ↓
	Energy Saving (Min)	42" : 64.4W / 47" : 66.5W / 55" : 83.7W / 65" : 89.6W
	Energy Saving (Mid)	42" : 50.1W / 47" : 49.8W / 55" : 61.2W / 65" : 64.7W
	Energy Saving (Max)	42" : 32.0W / 47" : 31.7W / 55" : 37.1W / 65" : 39.2W
TOOL DESCRIPTION	Tool Name	LB56(42", 47", 55") / LB58(65")
	Bezel Width (Left/Right, Upper, Bottom)	42", 47", 55" : 11, 11, 16.5 mm (0.43, 0.43, 0.64 inch)
	on bezel	65" : 12, 12, 17.5 mm (0.47, 0.47, 0.68 inch)
	Bezel Width (Left/Right, Upper, Bottom)	32H : 10.5, 10, 14 mm (0.41, 0.39, 0.55 inch) / 42", 47", 55" : 8.5, 8.5, 14 mm (0.33, 0.33, 0.55 inch)
	off bezel	65" : 9.5, 9.5, 15 mm (0.37, 0.37, 0.59 inch)
	VESA Compatible	400 x 400 mm
REQUIRED LISTING (CERTIFICATION)	Safety	UL
	EMC	FCC
	ETC.	RoHS, cUL, NOM, Energy Star 6.0
DIMENSION	Weight (with stand)	42": 9.5kg / 47": 12.7kg / 55": 18.4kg / 65": 30.5kg(42": 20.94lbs / 47": 27.99lbs / 55": 40.56lbs / 65": 67.24lbs)
	Weight (Packing)	42": 11.6kg / 47": 16.4kg / 55": 22.8kg / 65": 36.5kg(42": 25.57lbs / 47": 36.15lbs / 55": 50.26lbs / 65": 80.46lbs)
	W x H(H) x D (w/o stand)	42": 961 x 561(567) x 55.5 mm (37.83 x 22.08(22.32) x 2.18 inch) / 47": 1073 x 623(629) x 55.8 mm (42.24 x 24.52(24.76) x 2.19 inch)
	*H includes power lamp bump area located at the bottom	55": 1243 x 719(725) x 56.8 mm (48.93 x 28.3(28.54) x 2.23 inch) / 65": 1462 x 859 x 59.2 mm (57.55 x 33.81 x 2.33 inch)
	W x H x D (with stand)	42": 961 x 610 x 218 mm (37.83 x 24.01 x 8.58 inch) / 47": 1073 x 676 x 255 mm (42.24 x 25.61 x 10.03 inch)
		55": 1128 x 708 x 255 mm (44.4 x 27.87 x 10.03 inch) / 65": 1462 x 898 x 314 mm (57.55 x 35.35 x 12.36 inch)
	W x H x D (Packing)	42": 1054 x 645 x 146 mm (41.49 x 25.39 x 5.74 inch) / 47": 1144 x 695 x 146 mm (45.03 x 27.36 x 5.74 inch)
		55": 1191 x 745 x 146 mm (46.88 x 29.33 x 5.74 inch) / 65": 1548 x 945 x 194 mm (60.94 x 37.2 x 7.63 inch)

## TV tuner built-in please add diagonal dimension on all screen size

# 42"/47"/55" SUPER SIGN TV

42LY540S-UA | 42" CLASS 47LY540S-UA | 47" CLASS 55LY540S-UA | 55" CLASS 65LY540S-UA | 65" CLASS



### SuperSign TV is an affordable and easy solution

Brightness  
300nit

Built-in Speaker

Free Software

- Content Management S/W including 32 pre-installed templates for multiple verticals  
- Remotely deliver content and control up to 50 TVs over the network

Built-in TV Tuner

Thin Cabinet\*

(T/L/R) Flat bezel 8.5mm (1.3mm after curvature)  
(B) Flat bezel 14mm (18.7mm after curvature)

Multiple ports for multiple connections

-RGB in, HDMI in, RF, AV in, Component in, Audio out, RS232C in, RJ45, Speaker out

\*Bezel width and depth vary by screen size.



www.lgcommercial.com





TV TUNER BUILT-IN DIGITAL SIGNAGE

**LY540S** 42", 47", 55", 65"



**DELIVER YOUR MESSAGES WHILE BROADCASTING LIVE CHANNELS SIMULTANEOUSLY.**



**AN AFFORDABLE ALL-IN-ONE DISPLAY SOLUTION**

No need to purchase any additional hardware or software.



**SIMPLE CONNECTIVITY**

Needs only a power, LAN connection and a USB to operate.



**FREE SUPERSIGN LITE**

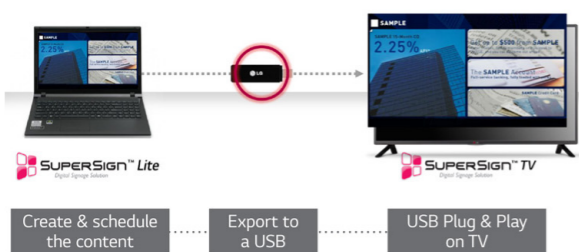
- 32 pre-installed templates for multiple verticals
- Schedule your messages to show on which TVs, and when they show
- Remotely control maximum 50 TVs over the network



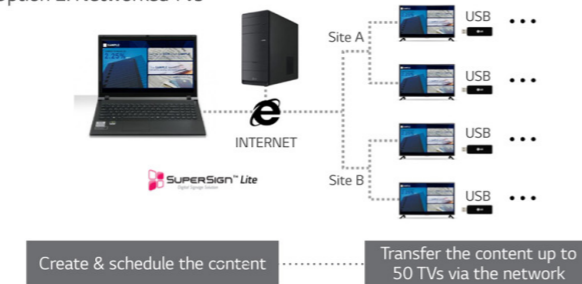
**32**  
Free templates

**HOW TO USE SUPERSIGN TV**

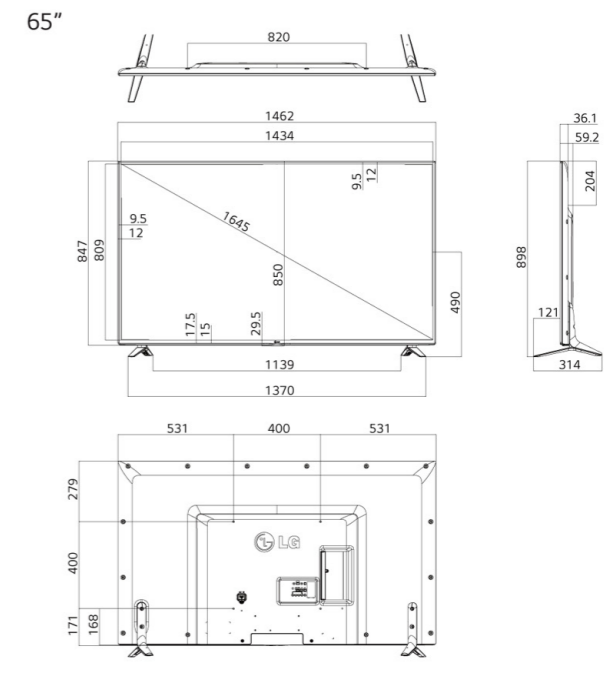
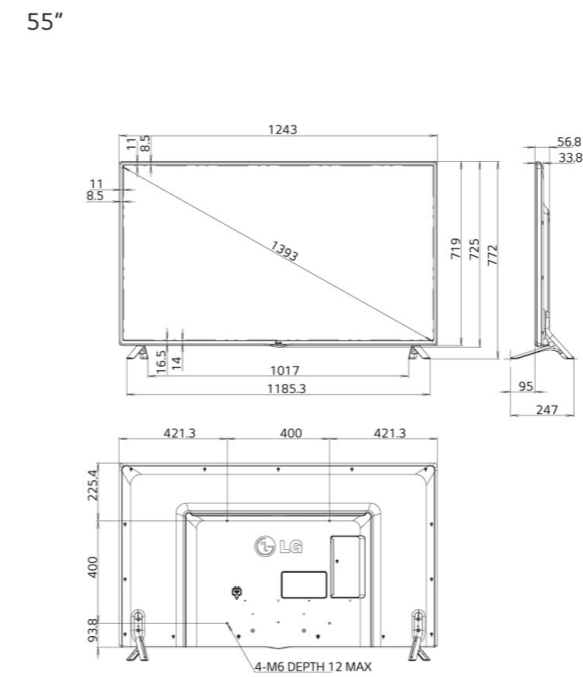
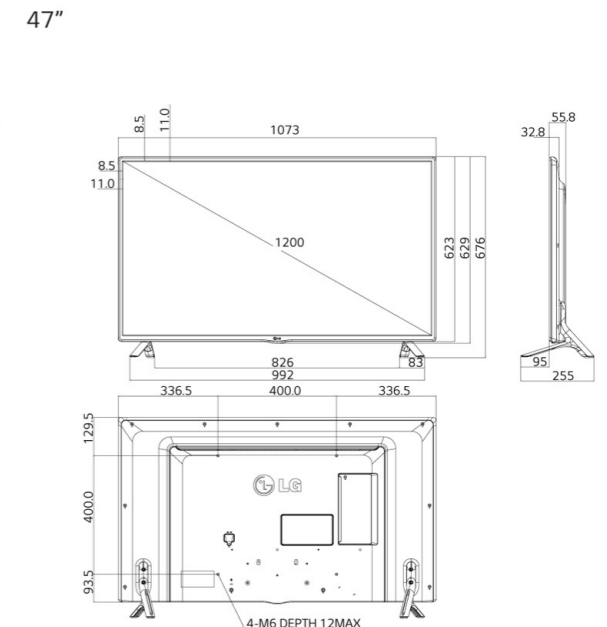
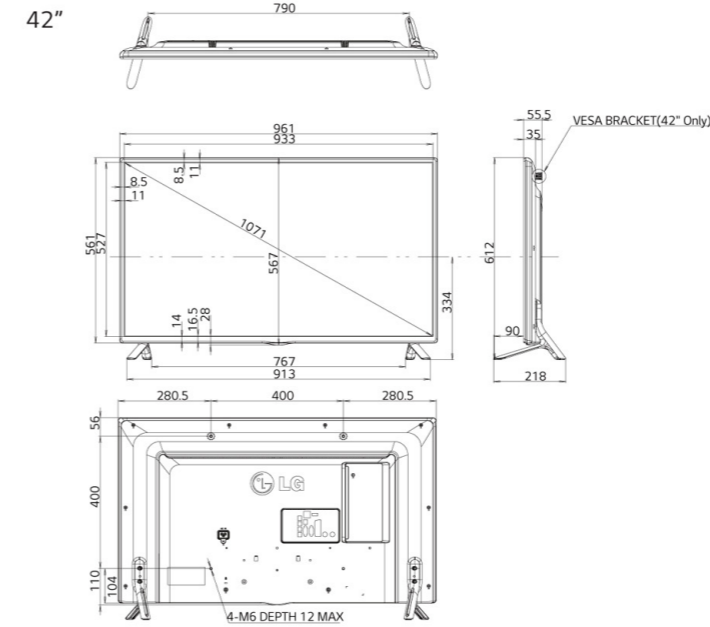
Option 1. as a stand-alone use



Option 2. Networked TVs



**DIMENSION (unit: mm)**



**INTERFACE**

