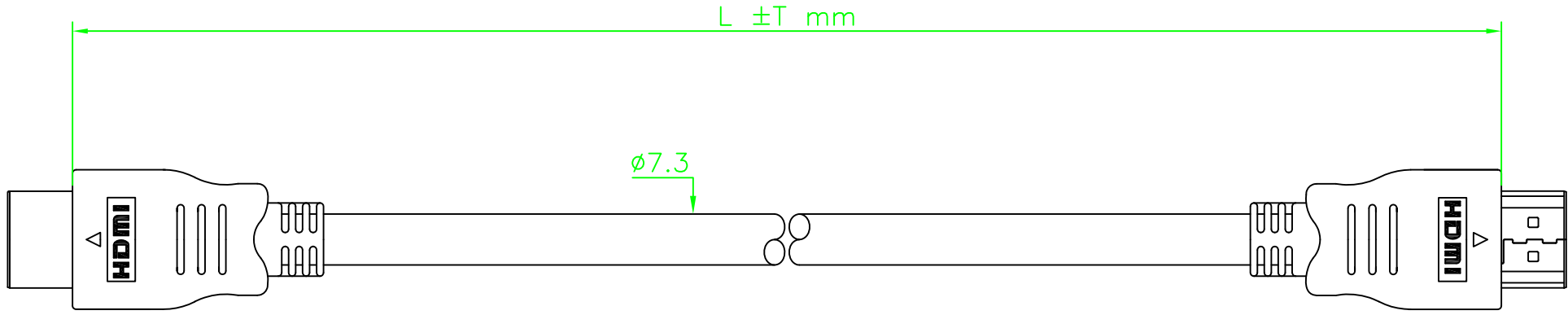


REV	DESCRIPTION	DATE
0	ISSUE	06/01/12



Notes:
 28 AWG TMD5 Pairs
 HDMI(R) High Speed
 UL AWM 20276 80°C 30V
 RoHS Compliant

Z100HD12FT	3660	60	100
Z100HD10FT	3050	50	120
Z100HD6FT	1830	40	140
P/N.	L(mm)	T(mm)	PKG QTY

LIBERTY AV SOLUTIONS
 11675 RIDGELINE DRIVE
 COLORADO SPRINGS, CO 80921

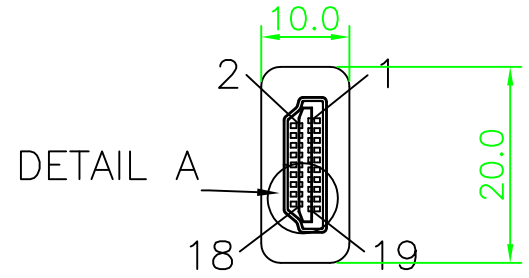
WWW.LIBAV.COM
 (800) 530-8998

UNIT:mm	TITLE:	DR.
SCALE None	Assembly Specification CBL, ASY, HDMI, PVC	RP
UNLESS OTHERWISE SPECIFIED TOLERANCES: x ±.015 xx ±.010 xxx ±.005 ANGLE ± 1°	PART NUMBER: Z100HDXFT	CH. RP
SHEET 1/2	DWG. #: LWC-ASY-00642	AP. RP

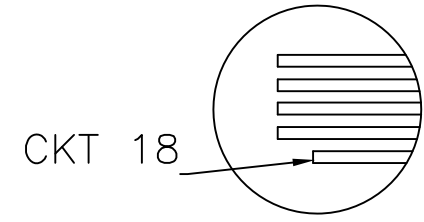
REV	DESCRIPTION	DATE
0	ISSUE	06/01/12

PIN OUT

HDMI	_____	HDMI
1	RED	1 TMDS DATA 2+
3	WHITE	3 TMDS DATA 2-
2	DRAIN	2 TMDS DATA 2 SHIELD
4	BLUE	4 TMDS DATA 1+
6	WHITE	6 TMDS DATA 1-
5	DRAIN	5 TMDS DATA 1 SHIELD
7	GREEN	7 TMDS DATA 0+
9	WHITE	9 TMDS DATA 0-
8	DRAIN	8 TMDS DATA 0 SHIELD
10	BROWN	10 TMDS CLOCK+
12	WHITE	12 TMDS CLOCK-
11	DRAIN	11 TMDS CLOCK SHIELD
13	RED	13 CEC
14	WHITE	14 RESERVED
15	ORANGE	15 SCL
16	YELLOW	16 SDA
17	GRAY	17 DDC/CEC GROUND
18	PURPLE	18 +5V POWER
19	GREEN	19 HOT PLUG DETECT
SHELL	DRAIN+BRAID	SHELL GROUND



HDMI(M)



DETAIL A

LIBERTY AV SOLUTIONS		WWW.LIBAV.COM	
11675 RIDGELINE DRIVE		(800) 530-8998	
COLORADO SPRINGS, CO 80921			
UNIT:mm	None	TITLE: Assembly Specification CBL, ASY, HDMI, PVC	
SCALE		PART NUMBER: Z100HDXFT	DR. RP
UNLESS OTHERWISE SPECIFIED TOLERANCES: x ±.015 xx ±.010 xxx ±.005 ANGLE ± 1°		DWG. #: LWC-ASY-00642	CH. RP
SHEET	1/2		AP. RP