

Technical Manual

JBL JRX115

SPECIFICATIONS



ACOUSTIC & ELECTRICAL SPECIFICATIONS:

- Nominal Impedance: 8 ohm
- Power Capacity: 250W, Peak Power Capacity 1000W
- Frequency Range: 38 Hz – 16 kHz (-10 dB)
- Sensitivity: 98 dB, 1 Watt @ 1 Meter
- Crossover Frequency: 1.6 kHz

SYSTEM COMPONENTS:

- Cabinet: Enclosure (Not For Sale)
- Grille: JRX115 352946-001
- Low Frequency Transducer: 380mm (15in.) M115-8A Cone Transducer (124-67001-01X)
- DC Resistance: 5.3 ohms
- High Frequency Transducer: 25.4mm (1 in.) Exit Compression Driver 2412H-1 (339013-001X)

SYSTEM COMPONENTS: (cont'd)

- DC Resistance: 4.3 ohms
- Crossover Network: 352925-001

AURAL SWEEP TEST SPECIFICATIONS:

- A. System Aural Sweep Test: 7.0V Input, 20 Hz to 20 kHz
- B. L.F. Aural Sweep Test: 7.0V Input, 20 Hz to 1.2 kHz
- C. H.F. Aural Sweep Test: 2.83V Input, 500 Hz to 20 kHz

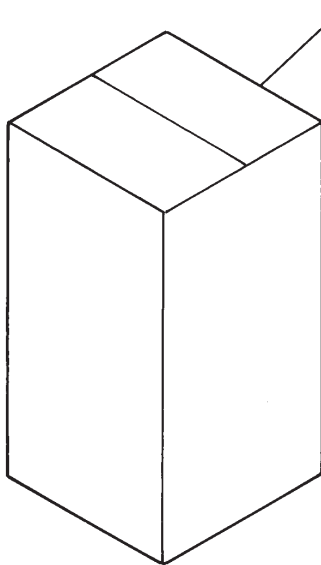
PHYSICAL SPECIFICATIONS:

- Enclosure Dimensions: 698.5mm x 463.6mm x 431.8mm D (27.5 x 18.25 x 17.0 in.D.)
- Shipping Weight: 67.0 lbs. (30.4 kg.)

WARRANTY INFORMATION:

- Refer to Warranty Statement packed with each product.

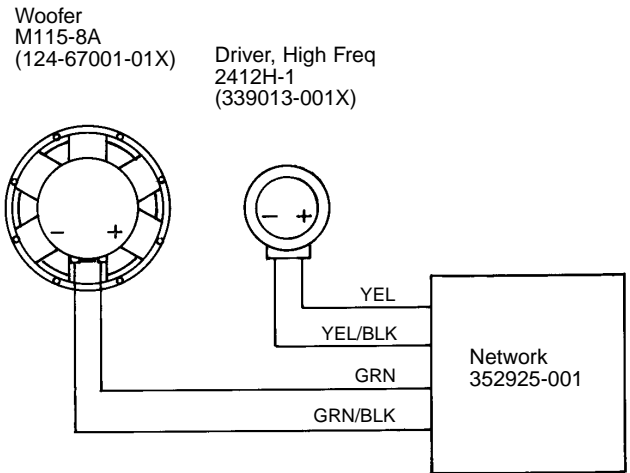
PACKAGE



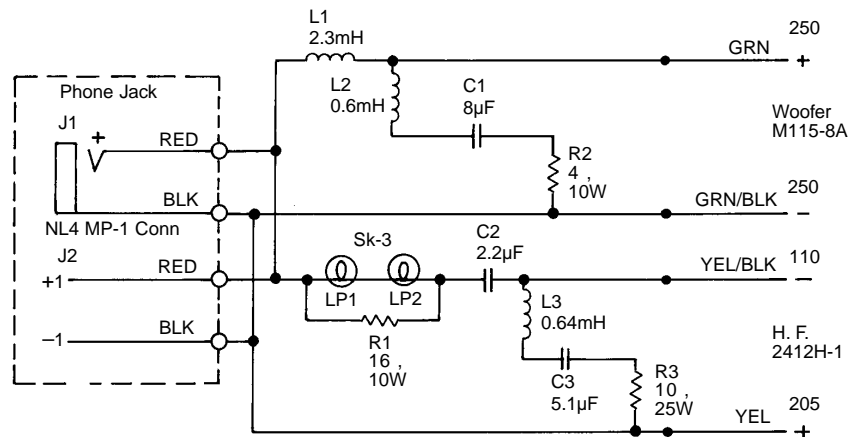
Warranty 59660
Specification Sheet
352927-001

- Filler, (2) 339021-001
- Microfoam (4) 49790P
- Carton 352926-001

WIRING DIAGRAM



Schematic JRX115 (352925-001)



JBL JRX115 REV A

JBL JRX115

COMPONENT EXPLODED VIEW

