

Technical Manual

JBL JRX112M

SPECIFICATIONS



ACOUSTIC & ELECTRICAL SPECIFICATIONS:

- Nominal Impedance: 8 ohm
- Power Capacity: 250W, Peak Power Capacity 1000W
- Frequency Range: 60 Hz – 16 kHz (-10 dB)
- Sensitivity: 99 dB, 1 Watt @ 1 Meter
- Crossover Frequency: 1.8 kHz

SYSTEM COMPONENTS:

- Cabinet: Enclosure JRX112M (Not for Sale)
- Grille: JRX112M 352920-001
- Low Frequency Transducer: 304.8mm (12in.) M112-8 (1) Cone Transducer (336961-001)
- DC Resistance: 5.2 ohms
- High Frequency Transducer: 25.4mm (1 in.) Exit Compression Driver 2412H-1 (339013-001X)

SYSTEM COMPONENTS: (cont'd)

- DC Resistance: 4.3 ohms
- Crossover Network: 352921-001

AURAL SWEEP TEST SPECIFICATIONS:

- A. System Aural Sweep Test: 7.0V Input, 20 Hz to 20 kHz
- B. L.F. Aural Sweep Test: 7.0V Input, 20 Hz to 1.2 kHz
- C. H.F. Aural Sweep Test: 2.83V Input, 500 Hz to 20 kHz

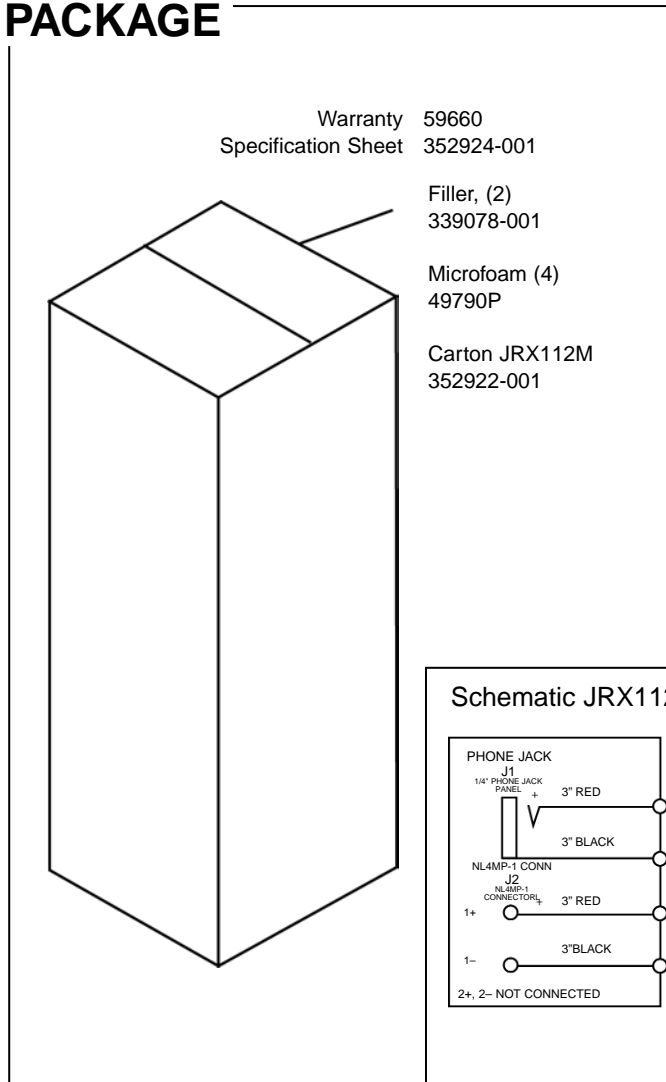
PHYSICAL SPECIFICATIONS:

- Enclosure Dimensions: 571.5mm x 393.7mm x 317.58mm D (22.5 x 15.5 x 12.5 in.D.)
- Shipping Weight: 48.5 lbs. (22 kg.)

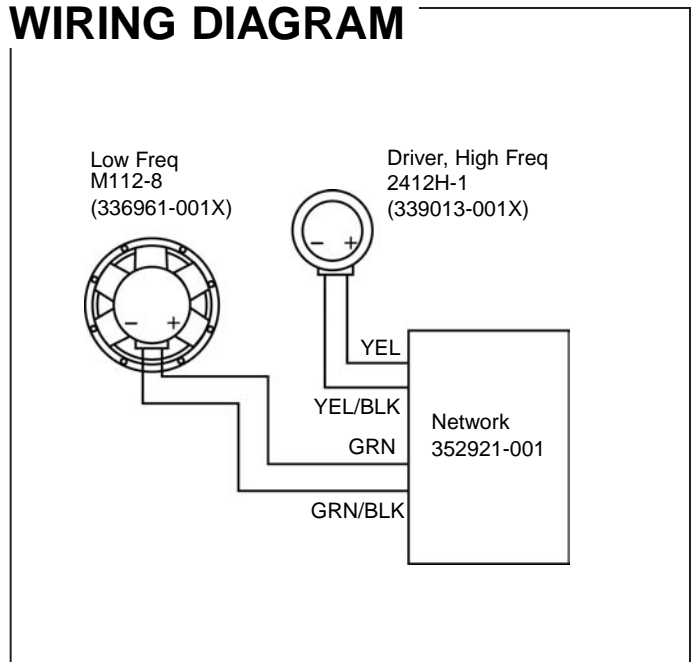
WARRANTY INFORMATION:

- Refer to Warranty Statement packed with each product. Warranty 59660

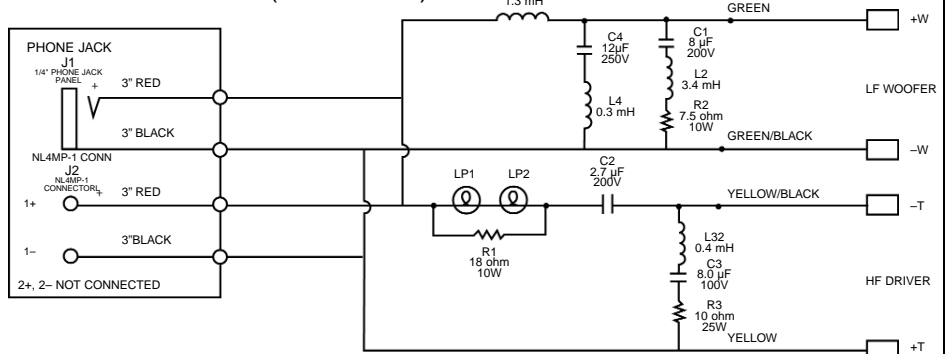
PACKAGE



WIRING DIAGRAM



Schematic JRX112M (352921-001)



JBL JRX112M REV A

JBL JRX112M

COMPONENT EXPLODED VIEW

