

M 88 TG Dynamic Microphone

Order # 437.115



FEATURES

- Highly defined hypercardioid polar characteristic
- Sensitive, accurate response
- Extended frequency range with rising high end and exceptional bass reproduction
- High SPL handling capability
- Integral -20 dB humbucking filter

APPLICATIONS

The M 88 TG offers both a wide frequency response and rugged construction making an ideal combination for many applications.

In the studio and live use its high SPL capability allows the microphone to be placed close to loud sound sources such as kick drum and bass guitar. It is also equally impressive as a vocal microphone or for brass and windwood instruments.

The M 88 TG has a reinforced basket to withstand rough handling when being used for more demanding applications. The M 88 TG is often used in a broadcast environment as an announcers or EFP microphone.

SUPPLIED ACCESSORIES

MKV 8 Microphone clamp with 3/8" internal thread,
for shaft diameters of 22 - 32 mm. Order # 407.216

OPTIONAL ACCESSORIES

BMC 05 FM BLK Standard microphone cable XLR-XLR, 5 m long. Order # 434.787
BMC 10 FM BLK Standard microphone cable XLR-XLR, 10 m long. Order # 434.795
SMC 05 FJ BLK Standard microphone cable XLR-Jack, 5 m long Order # 434.809
SMC 10 FJ BLK Standard microphone cable XLR-Jack, 10 m long Order # 434.817
MKV 6 Microphone clamp (clothes peg style clip)
for shaft diameters of 19 - 32 mm. Order # 407.208
PS 88 Popscreen, charcoal-grey Order # 111.414
WS 59 Windshield, charcoal-grey Order # 419.087

Germany
Theresienstr. 8
D-74072 Heilbronn
Tel. +49 (0)71 31 / 6 17-0
Fax +49 (0)71 31 / 617-224
E-mail: info@beyerdynamic.de
Internet: www.beyerdynamic.de

United States
56 Central Ave.
Farmingdale, NY 11735
Tel. +1 (631) 293-3200
Fax +1 (631) 293-3288
E-mail: salesUSA@beyerdynamic.com
Internet: www.beyerdynamic.com

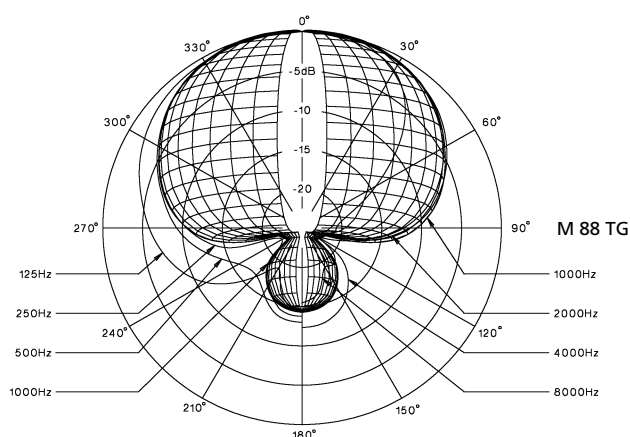
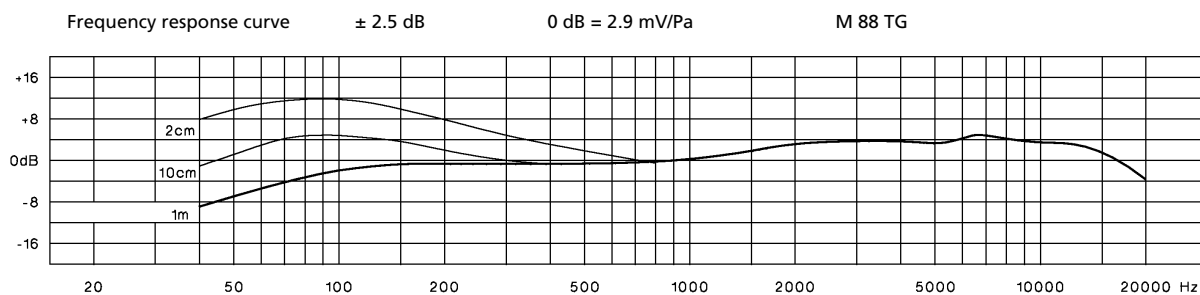
Great Britain
17 Albert Drive
Burgess Hill RH15 9TN
Tel. +44 (0)1444 / 258 258
Fax +44 (0)1444 / 258 444
E-mail: sales@beyerdynamic.co.uk
Internet: www.beyerdynamic.co.uk

TECHNICAL SPECIFICATIONS

Transducer type	Dynamic moving coil
Operating principle	Pressure gradient
Frequency response	30 - 20,000 Hz
Polar pattern	Hypercardioid
Rear attenuation at 1 kHz	> 23 dB at 120°
Open circuit voltage	
at 1 kHz (0 dB $\hat{=}$ 1 V/Pa)	2.9 mV/Pa
Magnetic field suppression	> 20 dB $\hat{=}$ 50 Hz
Nominal impedance	200 Ω
Load impedance	\geq 1000 Ω
Diaphragm	Hostaphan®
Casing	Brass
Connection	3-pin XLR male
Dimensions	Length: 181 mm Shaft diameter: 25.5 mm Head diameter: 48.5 mm
Weight w/out cable	320 g

FREQUENCY RESPONSE & POLAR PATTERN

This polar pattern and frequency response curve (measuring distance 1 m) correspond to a typical production sample for this microphone.



WIRING DIAGRAM

Positive pressure produces positive voltage on red lead (+).

