

E-MVGAMAM-M Technical Specifications

Micro VGA with Stereo Audio Cable Assembly

Rev. 140120

The E-MVGAMAM-M cable is designed to be used in tabletop, podium, and presentation system applications. A very flexible UL listed cable to permit sharp bends and constant movement, this product is ideal to interface mobile content users with laptops to the video infrastructure. The audio lead is purposefully longer at 22 inches for the source side, this is especially helpful when the audio jack is on the opposite side of the video jack.

Key Features:

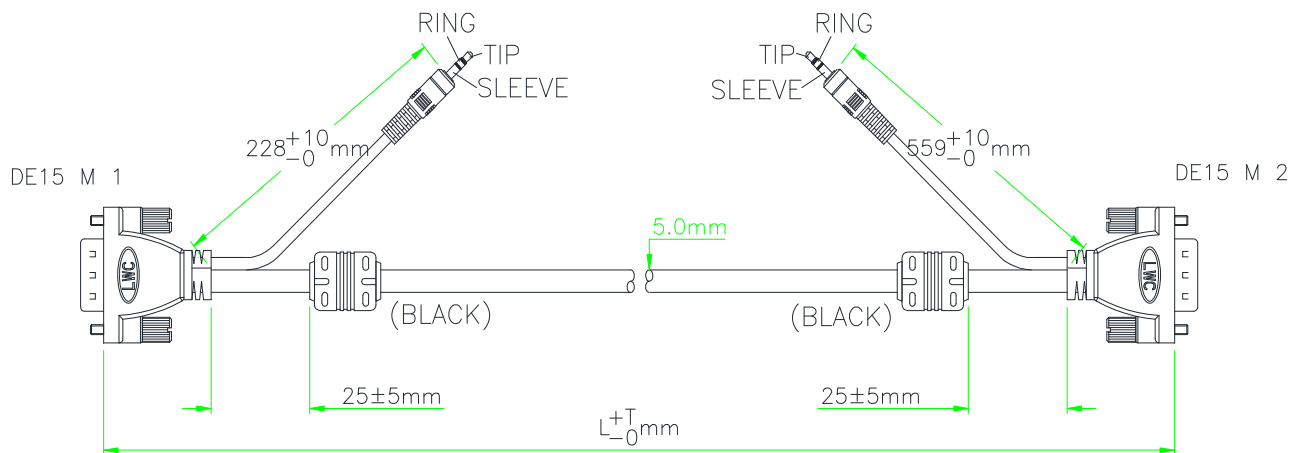
- Smaller low profile molding
- VGA with stereo audio
- Long audio lead on source side
- Tabletop and podium applications
- Flexible cable
- Convenient cable lengths

The cable is a miniature coaxial cable design; the attenuation on 32 AWG coaxial cables is such that we only warrant 1920x1200 WUXGA to 25 feet. Care must be exercised if using this product to interface to passive wall plates and panel junctions as the loss budget could be exceeded by the combination of passive plates and cable attenuation issues. It is recommended the primary use be to patch a source to a display interface, extension device, or active switch. This product is not permitted to be run in a concealed location (in-wall) per the NEC® unless it is in conduit.

The Micro sized molding on the VGA connectors is substantially smaller than a standard molded VGA connector. The molding measures 1.09 inches from front of molding to back of strain relief. A standard VGA mold can measure 2.0 inches from front to back. The micro cable is only 0.200" in diameter.

Key Applications:

- Conference Room
- Classroom
- Podium/Presentation



Technical Specifications	
I/O Connections	
VGA	Male DE series 15 pin High Density connector
Analog Audio	3.5 mm TRS plug
VGA + 3.5mm Supported Video and Audio	
VGA Maximum Supported Video Resolution	Up to 1920x1200@75Hz up to 25 feet
Analog Audio Support	Up to 48 kHz sampling rate
VESA	Full EDID ID/DDC Plug and Play with pin 9 connected
Cable Construction	
VGA Connector Material	Molded PVC
VGA Connector Dimensions	33x14x28mm
Analog Audio Connector Material	Molded PVC
Analog Audio Connector Dimensions	10.3mm diameter, 36.75mm length with strain relief included
Jacket Material	Flexible PVC
Cable Construction	Copper, 32 AWG RGB coaxial and 30 AWG sync and ID-Bit
Overall Cable Size	5.0mm diameter
Shielding	Dual foil and tinned copper braid serve shields
Minimum Bend Radius	50mm
Maximum Tensile Load	10Kg
Available Cable Lengths	3, 6, 12, 15, 25 feet
Environmental Requirements	
Operating Temperature	0° to +50° C (+32° to +122° F)
Operating Humidity	20% to 85%, Non-condensing
Storage Temperature	-30° to +50° C (-22° to +122° F)
Storage Humidity	20% to 85%, Non-condensing
Power and Regulatory	
Regulatory	AWM 20276 80°C 30V VW-1, RoHS

Liberty Wire & Cable specifications are subject to change without notice. Contact an account representative for current product specifications. Liberty Wire & Cable continuously strives to ensure product specifications are accurate and complete. All physical specifications are nominal.

Part Numbers		
Part Numbers	Cable Length	Description
E-MVGAMAM-M-3	3 feet (0.91M)	Micro Molded VGA cable with stereo audio 3 feet long
E-MVGAMAM-M-6	6 feet (1.83m)	Micro Molded VGA cable with stereo audio 6 feet long
E-MVGAMAM-M-12	12 feet (3.66m)	Micro Molded VGA cable with stereo audio 12 feet long
E-MVGAMAM-M-15	15 feet (4.57m)	Micro Molded VGA cable with stereo audio 15 feet long
E-MVGAMAM-M-25	25 feet (6.35m)	Micro Molded VGA cable with stereo audio 25 feet long