

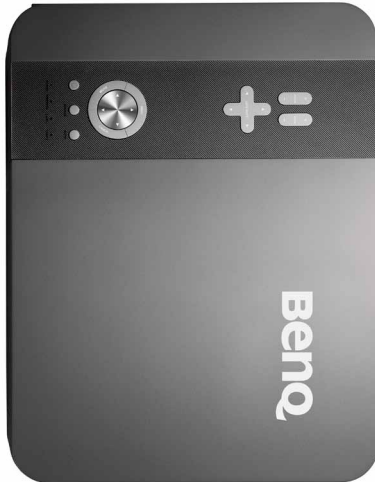
DIGITAL
PROJECTOR

PX9600

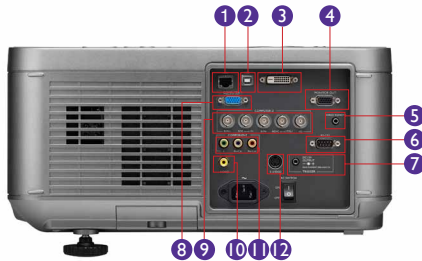


Features

- Native XGA (1024x768) Resolution
- 6,500 ANSI Lumens; 2,800:1 Contrast Ratio
- Powered Focus, Zoom & Lens Shift
- 7 Optional Lenses



Input and Output Terminals - Left Side View



- | | |
|-----------------------------|----------------------------------|
| 1 LAN (RJ45) | 7 12V Trigger |
| 2 USB (Type B) | 8 Computer 1 in (D-sub 15pin) |
| 3 DVI-D in | 9 Computer 2 in (5BNC,R/G/B/H/V) |
| 4 Monitor Out (D-sub 15pin) | 10 Component Video in (Y/Pb/Pr) |
| 5 Wired Remote | 11 Composite Video in (RCA) |
| 6 RS232 (DB-9pin) | 12 S-Video in (Mini Din 4 pin) |

Specifications

| | | |
|-----------------------------|---|--|
| Projection System | DLP® | |
| Native Resolution | XGA(1024x768) | |
| Brightness | 6,500 ANSI lumens (Dual lamp, Standard lens) | |
| Contrast Ratio | 2,800:1 | |
| Display Color | 1.07 Billion Colors | |
| Aspect Ratio | Native 4:3 (5 aspect ratio selectable) | |
| Image Size Diagonal | 50"~300" | |
| Lamp Type | 280W x 2 | |
| Lamp(Normal/Economic Mode)* | 2,000/2,500 hours | |
| Keystone Adjustment | Vertical ± 30 degrees | |
| Resolution Support | VGA(640 x 480) to UXGA(1600 x 1200) | |
| Horizontal Frequency | 31K~92KHz | |
| Vertical Scan Rate | 23~85Hz | |
| Compatibility | HDTV Compatibility: 480i, 480p, 576i, 576p, 720p, 1080i, 1080p Video Compatibility: NTSC, PAL, SECAM | |
| Interface | Computer 1 in (D-sub 15pin) x 1 Computer 2 in (5BNC, R/G/B/H/V) x 1 Monitor out (D-sub 15pin) x 1 DVI-D in x 1 Component Video in (Y/Pb/Pr) x 1 Composite Video in (RCA) x 1 S-Video in (Mini Din 4 pin) x 1 LAN (RJ45) x 1 (LAN Control) USB (Type B) x 1 (Download) 12V Trigger x 1 RS232 (DB-9pin) x 1 Wired Remote x 1 IR Receiver x 2 (Front+Rear) | |
| Dimensions (WxHxD) | 20" x 7.7" x 15.3" | |
| Weight | 36.3 lbs (Without lens) | |
| Power Supply | AC100 V, 7.2A, 50 to 60 Hz | |
| Power Consumption | AC100 V, 710W (Standby Power <0.5W) | |
| Audible Noise | 39 /34 /35/ 32 db (Dual lamp normal / Single lamp normal) | |
| On-Screen Display Languages | List Languages | |
| Picture Mode | Presentation/Standard/Game/Movie/sRGB | |
| Accessories (Standard) | Remote Control w/ Battery, Power Cord, User Manual CD, Quick Start Guide, Warranty Card, VGA(D-sub 15pin) Cable, 6 Segments Color Wheel | |
| Accessories (Optional) | Spare Lamp Kit: P/N 5J.JAM05.001 Ceiling Mount P/N: 5J.JAN10.001 Optional Lens: (see reference chart) • Wide Fix(5J.JAM37.011) • Ultra Wide (5J.JAM37.061) • Wide Zoom(5J.JAM37.021) • Standard(5J.JAM37.001) • Semi Long(5J.JAM37.051) • Long Zoom1(5J.JAM37.031) • Long Zoom2 (5J.JAM37.041) | |
| UPC Code / Part # | 8400460-2966-1 / #9H.JAM77.26E | |
| Limited Warranty | 3 Years Parts & Labor / 1 Year or 2,000 hours of lamp life | |

*Lamp life results will vary depending on environmental conditions and usage. Actual product's features and specifications are subject to change without notice.

| BenQ Lens | P/N | Zoom Ratio | XGA | Marketing Model |
|-----------------|--------------|------------|-------------|-----------------|
| STD Lens | 5J.JAM37.001 | 1.3x | 1.79~2.35:1 | PZL-001 |
| Wide Fix | 5J.JAM37.011 | Fixed | 0.79:1 | PFL-011 |
| Wide Zoom | 5J.JAM37.021 | 1.4x | 1.31~1.85:1 | PZL-021 |
| Long Zoom 1 | 5J.JAM37.031 | 1.5x | 3.71~5.57:1 | PZL-031 |
| Long Zoom 2 | 5J.JAM37.041 | 1.55x | 5.5~8.56:1 | PZL-041 |
| Semi Long Zoom | 5J.JAM37.051 | 1.65x | 2.33~3.81:1 | PZL-051 |
| Ultra Wide Zoom | 5J.JAM37.061 | 1.25x | 0.77~0.97:1 | PZL-061 |

PX9600 11-19-13-BQus



BenQ America Corp.
www.BenQ.us

BenQ is a registered trademark of BenQ Corp. DLP is a registered trademark of Texas Instruments. All rights reserved. Product names, logos, brands, and other trademarks featured or referred to in this materials are the property of their respective trademark holders. Specifications subject to change without notice.



PX9600 Digital Projector

Distance Chart

| Standard - PZL-001 (5J.JAM37.001) | |
|-----------------------------------|----------------------------------|
| Screen Size (Inches) | PX9600 - Projection Distance (m) |
| 80 | 2.90-3.83 |
| 100 | 3.65-4.80 |
| 120 | 4.39-5.78 |
| 150 | 5.50-7.24 |
| 200 | 7.36-9.67 |
| 300 | 11.07-14.54 |
| 400 | 14.79-19.41 |
| 500 | 18.5-24.28 |

| Wide Fix - PFL-011 (5J.JAM37.011) | |
|-----------------------------------|----------------------------------|
| Screen Size (Inches) | PX9600 - Projection Distance (m) |
| 80 | 1.29 |
| 100 | 1.62 |
| 120 | 1.96 |
| 150 | 2.46 |
| 200 | 3.3 |
| 300 | 4.97 |
| 400 | 6.64 |
| 500 | 8.31 |

| Wide Zoom - PZL-021 (5J.JAM37.021) | |
|------------------------------------|----------------------------------|
| Screen Size (Inches) | PX9600 - Projection Distance (m) |
| 80 | 2.11-3.02 |
| 100 | 2.65-3.79 |
| 120 | 3.28-4.56 |
| 150 | 3.99-5.71 |
| 200 | 5.34-7.63 |
| 300 | 8.04-11.47 |
| 400 | 10.74-15.31 |
| 500 | 13.44-19.14 |

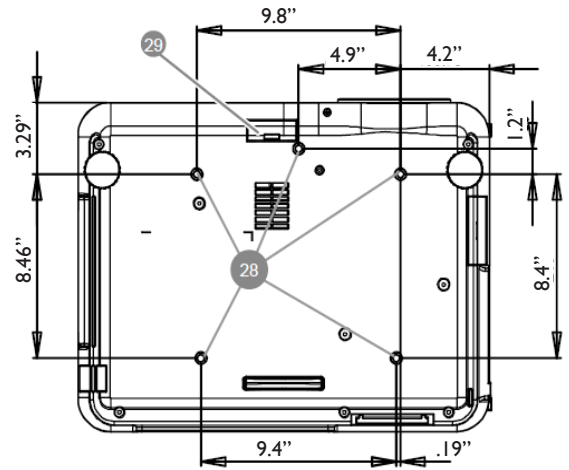
| Long Zoom1 - PZL-031 (5J.JAM37.031) | |
|-------------------------------------|----------------------------------|
| Screen Size (Inches) | PX9600 - Projection Distance (m) |
| 80 | 6.02-9.12 |
| 100 | 7.56-11.43 |
| 120 | 9.10-13.74 |
| 150 | 11.41-17.21 |
| 200 | 15.26-22.99 |
| 300 | 22.95-34.56 |
| 400 | |
| 500 | |

| Long Zoom2 - PZL-041 (5J.JAM37.041) | |
|-------------------------------------|----------------------------------|
| Screen Size (Inches) | PX9600 - Projection Distance (m) |
| 80 | 8.91-14.07 |
| 100 | 11.22-17.66 |
| 120 | 13.52-21.25 |
| 150 | 16.97-26.64 |
| 200 | 22.73-35.62 |
| 300 | 34.24-53.57 |
| 400 | 30.65-46.12 |
| 500 | 38.34-57.69 |

| Semi Long - PZL-051 (5J.JAM37.051) | |
|------------------------------------|----------------------------------|
| Screen Size (Inches) | PX9600 - Projection Distance (m) |
| 80 | 3.73-6.24 |
| 100 | 4.69-7.82 |
| 120 | 5.64-9.40 |
| 150 | 7.07-11.07 |
| 200 | 9.46-15.72 |
| 300 | 14.23-23.62 |
| 400 | 18.99-31.52 |
| 500 | 23.76-39.42 |

| Ultra Wide - PZL-061 (5J.JAM37.061) | |
|-------------------------------------|----------------------------------|
| Screen Size (Inches) | PX9600 - Projection Distance (m) |
| 80 | 1.25-1.57 |
| 100 | 1.56-1.97 |
| 120 | 1.87-2.36 |
| 150 | 2.34-2.95 |
| 200 | 3.12-3.94 |
| 300 | 4.69-5.91 |
| 400 | 6.25-7.88 |
| 500 | 7.82-9.85 |

Ceiling Mount Chart



Units: inch

Dimensions

