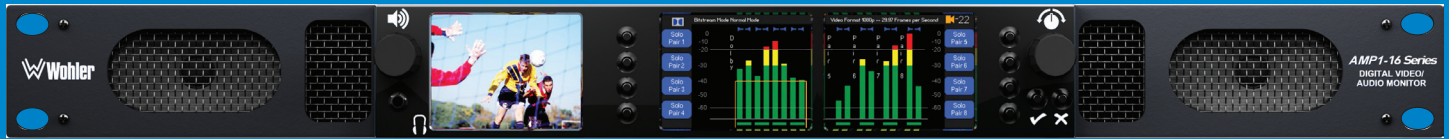


AMP1-E16V-MD/AMP1-16V-MD

16-Channel Audio/Video Monitors



Monitor 16-channels of audio from 3G/HD/SD-SDI and AES sources. Featuring a third screen dedicated to displaying metadata or video.

The AMP1-16V Series monitors represents leading edge technology and features. The audio fidelity of our most popular models have been improved with a Class-D digital amplifier system to drive the integrated midrange and low frequency speaker drivers. These units monitor 16 channels of embedded 3G/HD/SD-SDI and AES audio, while the AMP1-E16V-MD includes Dolby D, E, and DD+ capability. All channels can be selected for simultaneous display and concurrently monitored on an innovative third screen that is easily user-configured for bar graph meter look, scale, and ballistics. All popular scales are available on screen, at the touch of a button. You can route any selected signal to either the left or right, or both speakers for stereo or mono applications.

Benefits

- The AMP1-16V Series monitors are truly flexible systems. Integrate one and benefit from the rich feature set.
- Three color LCDs not only allow you to customize colors for easy monitoring, but also display up to 16 bar graph level meters simultaneously. The third screen displays video, audio metadata or help text.
- At only 1RU it gives you the power of several units with the simplicity of a single package.
- Each displayed meter can feature stereo phase indication, user-defined channel labeling, and selectable scales and ballistics, such as AES, BBC, and Nordic. A custom setting allows user-defined limits and colors.

Features

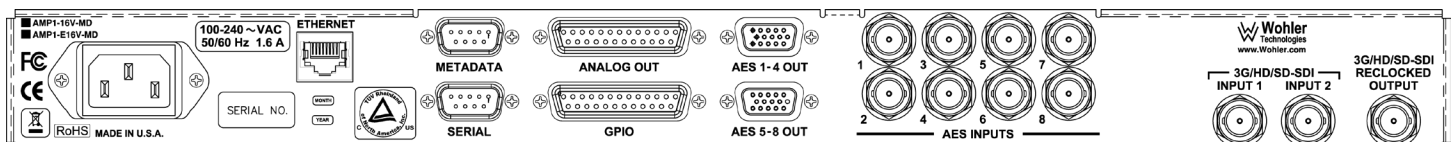
- All 16 channels of audio visually monitored on 16 level meters displayed in two LCD screens.
- Monitoring for up to 16-channels of embedded audio in a single, multi-rate 3G/HD/SD-SDI signal.
- Totally digital system architecture with high-fidelity class D amplifier
- Video de-embedded from 3G/HD/SD-SDI displayed on the third screen
- Stereo or mono monitoring assignment to speakers
- Analog and digital surround sound system outputs, controllable from the front panel volume control
- Includes demux outputs for 8 AES pairs on unbalanced on 2 HD15 connectors
- Create and store 8 user-defined operation configurations
- Stereo phase indicator for stereo pairs
- Includes outputs for 8 analog channels on a balanced DB-25



Order Part Numbers

8130-0050: AMP1-16V-MD (without Dolby card)

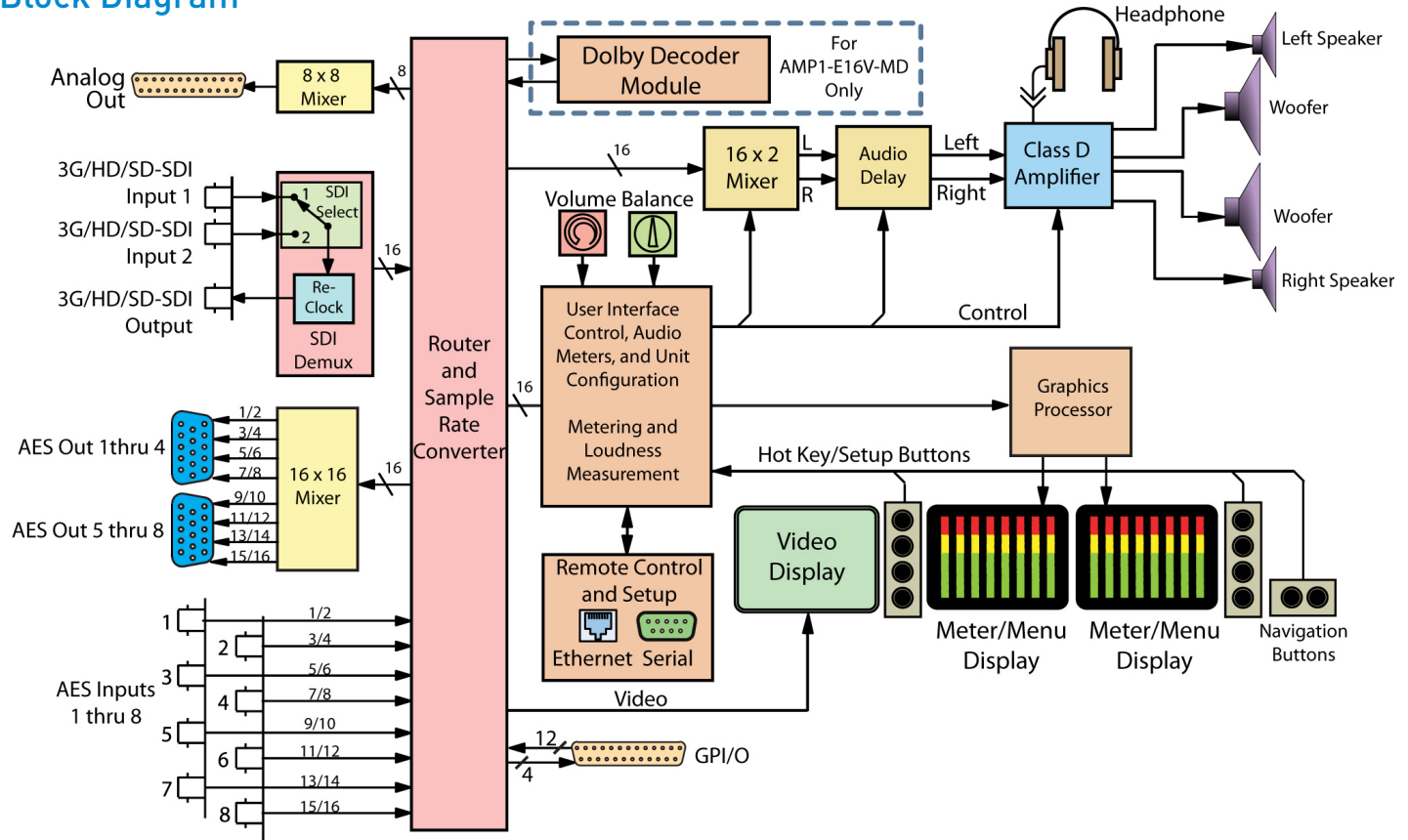
8130-0060: AMP1-E16V-MD (with Dolby card)



AMP1-E16V-MD/AMP1-16V-MD

16-Channel Audio/Video Monitors

Block Diagram



Specifications

AMP1-16V-MD

AMP1-E16V-MD

	AMP1-16V-MD	AMP1-E16V-MD
Dolby	None	D, E, DD+
Dimensions (W x H x D)	19" x 1.75" x 11" (483 mm x 44.45 mm x 279.4 mm)	
Shipping Weight / Net Weight	10 lbs. (4.54 kg)	
Space Requirements	1RU in a standard 19" rack	
Power Requirements	100 to 240 V AC \pm 10%, 50/60Hz	
Power Consumption	Approximately 60 W	
Level Meter Resolution	0 to -72 dB in 110 segments	
Level Meter Scaling	AES • VU • Ext. VU • BBC • EBU • Nordic • DIN	
Peak Acoustic Output at 2 feet	98 dB SPL	
Power Output	Tweeters: 5W RMS Continuous into 8 Ω , each side, 10W Transient Woofers: 4W RMS Continuous into 4 Ω , each side, 17W Transient	
Acoustic Frequency Response	80 Hz to 20 kHz (\pm 5 dB) [-10 dB at 50 Hz, 22 kHz]	
Hum and Noise	Better than -68 dB below full output	
AES and SDI Input Termination	AES: 75 Ω Unbalanced, switchable • SDI: 75 Ω Unbalanced	
Analog Input Impedance	40k Ω	
Electrical THD	<0.15% at any level below limit threshold	

View the complete list of specifications online at wohler.com

Wohler Technologies, Inc.
Worldwide Headquarters
31055 Huntwood Avenue
Hayward, CA 94544 USA
Phone: +1 510 870 0810
Email: sales@wohler.com

Wohler Technologies/APAC
45/F, The Lee Gardens
33 Hysan Avenue
Causeway Bay, Hong Kong
Phone: +852 8199 0563
Email: sales@wohler.com

Wohler Technologies/EMEA
Suite 3, Medaxon House
Mill Mead, Staines
TW18 4UQ, UK
Phone: +44 (0) 2071 935507
Email: sales@wohler.com

Infinite Possibilities.



One Wohler.