



PLATINUM BX PRO™

PRELIMINARY SPECIFICATIONS

The new Platinum BX PRO™ is a powerful beam illuminare featuring the new Phillips™ MSD Platinum 17 RA 350W, 6,900K, 85CRI lamp, 15,000 total lumens, delivering extreme output and speed, 2.5° beam, 11 dichroic colors including UV, CTO, CTB, plus white, 13 fixed indexing gobos, rotating 8-facet prism, frost filter, 3 and 5 pin DMX in/out and powerCON connections, (6) button control full color 180° reversible menu display, 500W max power consumption, and a multi-voltage universal auto switching power supply (100-240v).



FEATURES

- Powerful 2.5° Beam Illuminare**
- New Phillips™ MSD Platinum 17 RA 350W Lamp**
- 15,000 Total Lumens, 6,900K, 85CRI, 1,500 Hours**
- Extreme Output and Speed**
- 11 Dichroic Colors Including UV, CTO, CTB, + White**
- 13 Fixed Indexing Gobos**
- Rotating 8-Facet Prism + Frost Filter**
- Optional Internal EWDMX Wireless DMX (Special Order)**



Specifications are subject to change without notice ©Elation Professional

Elation Professional USA | 6122 S. Eastern Ave. | Los Angeles, CA. 90040
323-582-3322 | 323-832-9142 fax | www.elationlighting.com | info@elationlighting.com

Elation Professional B.V. | Junostraat 2 | 6468 EW Kerkrade, Netherlands
+31 45 546 85 66 | +31 45 546 85 96 fax | www.elationlighting.eu | info@elationlighting.eu

PRODUCT SPECIFICATIONS

FEATURES

Powerful 2.5° Beam
 Extreme Output and Speed
 CTO & CTB Color Correction
 8-Facet Rotating Prism
 (Optional) Internal EWDMX Wireless DMX Receiver

SOURCE

Phillips™ MSD Platinum 17 RA 350W Lamp
 1,500 Hour Average Lamp Life

PHOTOMETRIC DATA

15,000 Total Lumens, 6,900K, 85CRI
 219,400 LUX 12,021 FC @49' (15m) (2.5° Full ON)
 129,400 LUX 12,021 FC @66' (20m) (2.5° Full ON)
 84,680 LUX 7,867 FC @82' (25m) (2.5° Full ON)

EFFECTS

8-Facet Rotating Prism and 16 Prism Macros
 Frost Filter
 Strobe: 1-18fps
 Dimming: 0% - 100%

COLOR

11 Dichroic Colors Including UV, CTB, CTO, + White

GOBOS

13 Fixed / Indexing Gobos

CONTROL / CONNECTIONS

(3) DMX Channel Modes (12/14/18)
 RDM (Remote Device Management)
 6 Button Touch Control Panel
 Full Color 180° Reversible LCD Menu Display
 8 / 16 Bit Resolution Adjustable Movement
 3pin & 5pin DMX In/Out
 powerCON Power In

SIZE / WEIGHT

Length: 15.4" (390mm)
 Width: 11.8" (300mm)
 Vertical Height: 23.2" (590mm)
 Weight: 60.0 lbs. (27 kg)

ELECTRICAL / THERMAL

AC 100-240V - 50/60Hz
 500W Max Power Consumption
 -13°F to 113°F (-25°C to 45°C)

APPROVALS / RATINGS

CE Pending
 cETLus Pending
 RoHs Compliant

INSTALLATION

Rigging: Clamps (Not Included)
 Working Position: Flat Surface / Inverted (180°)

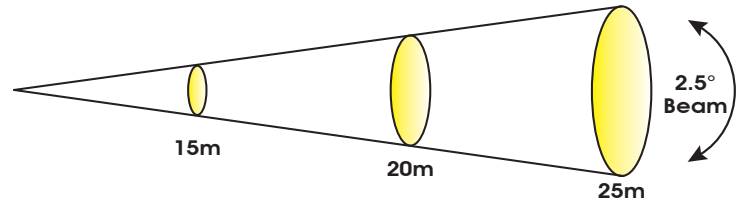
INCLUDED ITEMS

Omega Brackets
 3pin DMX Cable
 Safety Cable
 powerCON Cable

EWDMX WIRELESS DMX VERSION AVAILABLE

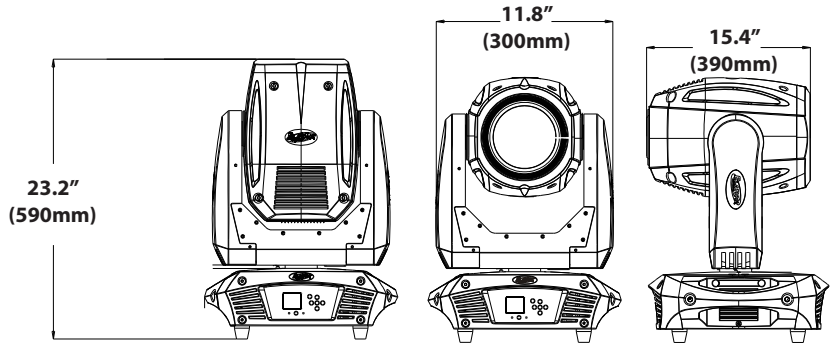
Platinum BX™ with Internal Wireless DMX Receiver
 Special Order Item

PHOTOMETRIC DATA



Distance	m		ft		m		ft		m		ft	
	m	ft	m	ft	m	ft	m	ft	m	ft	m	ft
Beam Diameter	0.64	2.1	0.85	2.8	1.06	3.5	1.06	3.5	1.06	3.5	1.06	3.5
Full ON	219,400	20382	129,400	12021	84,680	7867	84,680	7867	84,680	7867	84,680	7867

DIMENSIONAL DIAGRAMS



OPTIONAL ACCESSORIES

ORDER CODE	ITEM
TRIGGER CLAMP	Heavy Duty Wrap Around Hook Style Clamp
** pending **	Road Case For Platinum BX™
ELO211	Eloader II™ Software Updater Box
EWDMXSYSTEM	Wireless DMX System (1 Transmitter, 1 Receiver)
EWDMXT	Wireless DMX Transmitter
EWDMXR	Wireless DMX Receiver
AC3PDMX5PRO	5 ft. (1.5m) 3pin PRO DMX Cable
AC3PDMX10PRO	10 ft. (3m) 3pin PRO DMX Cable
AC3PDMX15PRO	15 ft. (4.5m) 3pin PRO DMX Cable
AC3PDMX25PRO	25 ft. (7.5m) 3pin PRO DMX Cable
AC3PDMX50PRO	50 ft. (15.2m) 3pin PRO DMX Cable
AC5PDMX10PRO	10 ft. (3m) 5pin PRO DMX Cable
AC5PDMX15PRO	15 ft. (4.5m) 5pin PRO DMX Cable
AC5PDMX25PRO	25 ft. (7.5m) 5pin PRO DMX Cable



Specifications are subject to change without notice ©Elation Professional

Elation Professional USA | 6122 S. Eastern Ave. | Los Angeles, CA. 90040
 323-582-3322 | 323-832-9142 fax | www.elationlighting.com | info@elationlighting.com

Elation Professional B.V. | Junostraat 2 | 6468 EW Kerkrade, Netherlands
 +31 45 546 85 66 | +31 45 546 85 96 fax | www.elationlighting.eu | info@elationlighting.eu