



OPTI TRI WHITE II™

SKU# OTW801 **PRELIMINARY SPECIFICATIONS**

The new updated Opti Tri White II™ features (18) 10W Multi-Chip Variable White (Cool, Warm, and Amber) LEDs, 100,000 average hour LED life, 20° standard beam lens, electronic strobe and dimming (0-100%), 5 variable dimming curve modes, dual yoke / floor stand, multiple unit power linking, rugged die-cast aluminum exterior, flicker free operation for TV and FILM, 200W max power consumption, and a multi-voltage universal auto switching power supply (110-250v).

FEATURES

- High Output Tri-White LED Par
- (18) 10W Multi-Chip Variable White LEDs
- Cool White, Warm White, and Amber
- 100,000 Average Hour LED Life
- 20° Standard Beam Lens
- 5 Variable Dimming Curve Modes
- Dual Yoke / Floor Stand
- Multiple Unit Power Linking
- Rugged Die-Cast Aluminum Exterior
- Flicker Free Operation for TV and FILM



PRODUCT SPECIFICATIONS

FEATURES

High Output Tri-White LED Par
 Cool White, Warm White, and Amber
 20° Standard Beam Lens
 5 Variable Dimming Curve Modes
 Dual Yoke / Floor Stand
 Multiple Unit Power Linking
 Rugged Die-Cast Aluminum Exterior
 Flicker Free Operation for TV and FILM

SOURCE

(18) 10W Multi-Chip Variable White LEDs
 100,000 Hour Average LED Life

PHOTOMETRIC DATA

pending

EFFECTS

Electronic Strobe
 Variable Color Temperature Macros
 Electronic Dimming: 0% - 100%
 5 Variable Dimming Curve Modes

CONTROL / CONNECTIONS

(2) DMX Channel Modes (4 / 7)
 (3) Button Control Panel
 LCD Menu Display
 3pin/5pin DMX In/Out
 powerCON In/Out

SIZE / WEIGHT

Length: 11.0" (280mm)
 Width: 8.7" (221mm)
 Vertical Height: 14.1" (358mm)
 Weight: 10.5 lbs. (4.8 kg)

ELECTRICAL / THERMAL

AC 120-230V - 50/60Hz
 200W Max Power Consumption
 Multiple Unit Power Linking: pending

APPROVALS / RATINGS

CE Approved
 IP20 Rated

INSTALLATION

Rigging: Integrated Dual Yoke / Floor Stand
 Working Position: Any (360°)

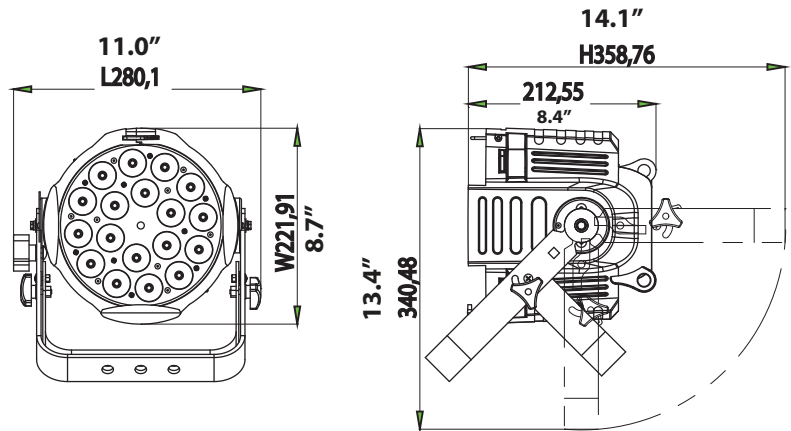
INCLUDED ITEMS

(1) powerCON Cable

PHOTOMETRIC DATA

pending

DIMENSIONAL DIAGRAMS



OPTIONAL ACCESSORIES

ORDER CODE	ITEM
TRIGGER CLAMP	Heavy Duty Wrap Around Hook Style Clamp
EWDMXSYSTEM	Wireless DMX System (1 Transmitter, 1 Receiver)
EWDMXT	Wireless DMX Transmitter
EWDMXR	Wireless DMX Receiver
PLC3	3' (1m) PowerCON PRO Link Cable
PLC6	6' (1.8m) PowerCON PRO Link Cable
AC3PDMX5PRO	5 ft. (1.5m) 3pin PRO DMX Cable
AC5PDMX5PRO	5 ft. (1.5m) 5pin PRO DMX Cable
	Additional Cable Lengths Available



Specifications are subject to change without notice ©Elation Professional

Elation Professional USA | 6122 S. Eastern Ave. | Los Angeles, CA. 90040
 323-582-3322 | 323-832-9142 fax | www.elationlighting.com | info@elationlighting.com

Elation Professional B.V. | Junostraat 2 | 6468 EW Kerkrade, Netherlands
 +31 45 546 85 66 | +31 45 546 85 96 fax | www.elationlighting.eu | info@elationlighting.eu