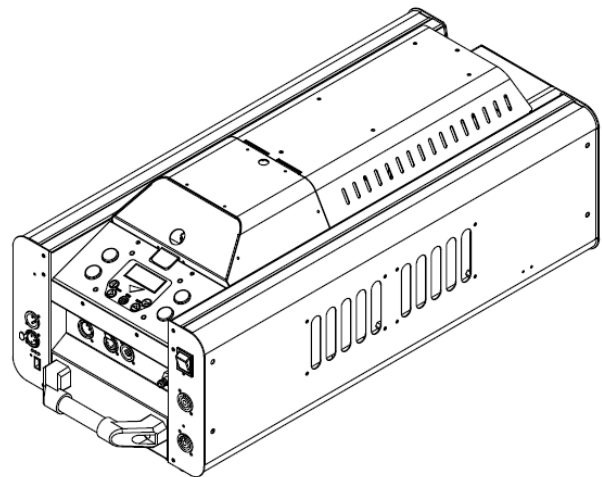
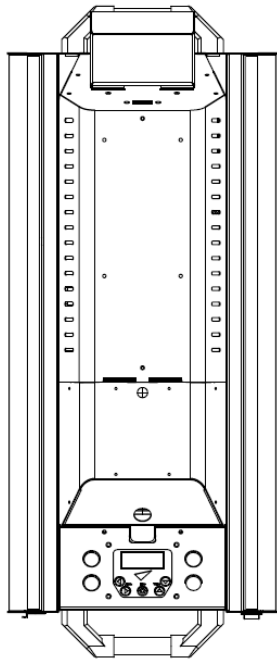
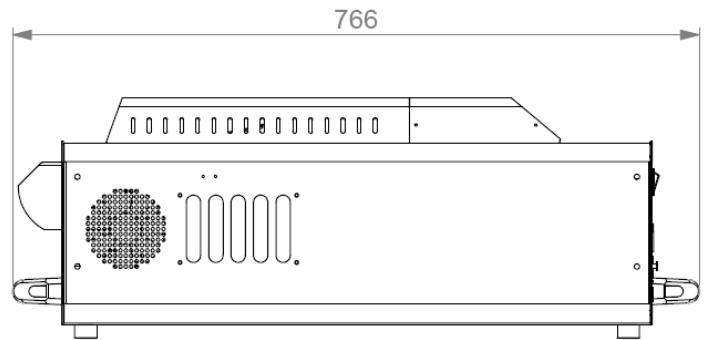
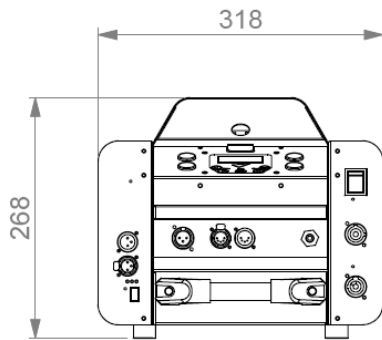


**JEM**<sup>TM</sup> **READY 365**<sup>TM</sup>  
user manual

# Dimensions

All dimensions are in millimeters



---

©2013 Martin Professional A/S. Information subject to change without notice. Martin Professional A/S and all affiliated companies disclaim liability for any injury, damage, direct or indirect loss, consequential or economic loss or any other loss occasioned by the use of, inability to use or reliance on the information contained in this manual. The Martin logo, the Martin name and all other trademarks in this document pertaining to services or products by Martin Professional A/S or its affiliates and subsidiaries are trademarks owned or licensed by Martin Professional A/S or its affiliates or subsidiaries.

---

# Contents

Dimensions .....	2
Contents .....	3
Safety information.....	5
Product overview .....	8
Product description.....	8
Features at a glance .....	8
Product details .....	9
Quick Start.....	10
Setting up.....	10
Making haze.....	10
Switching off.....	10
Installation and setting up .....	11
Location .....	11
AC power .....	11
Setting up.....	12
Final checks.....	12
Turning on the power.....	12
Turning off the power.....	13
Control settings .....	14
Overview .....	14
Quick access buttons .....	14
Setting Run mode .....	15
Setting Haze density .....	15
Setting Fan speed.....	15
Setting the Timer.....	15
Setting the DMX base address .....	16
Setting the master-slave link mode .....	16
Checking gas pressure.....	16
Priming the machine after fluid out.....	16
Resetting options to factory settings .....	17
Aux menu .....	17
Remote control .....	18
Overview .....	18
Functions .....	18
Connection.....	18
DMX control .....	19
Overview .....	19
Connection.....	19
DMX functions.....	19
RDM operation .....	20
Haze fluid types .....	21
Basic service.....	22
Cleaning.....	22
Fuse replacement .....	22
Troubleshooting .....	23
Status messages .....	24
Resetting the machine after fluid out.....	24
Specifications .....	25



# Safety information

The following symbols are used to identify important safety information:



Caution! Safety hazard. Risk of personal injury.



Caution! Burn hazard. Hot surface. Do not touch.



Danger! Hazardous voltage. Contact will cause electric shock.



Caution! Fire hazard.



**Warning! This product is not for household use. It presents risks of injury due to electric shock, burns, falls and respiratory problems!**

Read this manual before operating the machine, follow the safety precautions listed below, and observe all warnings in this manual and printed on the machine. Use the system only as described in this manual and in accordance with local laws and regulations.

If you have questions about how to operate the machine safely, or if you have followed the instructions in this manual and the machine is malfunctioning, please contact Martin Service.

## Preventing electric shocks



- Always ground (earth) the machine electrically.
- Use only a source of AC power that complies with local building and electrical codes, and that has both overload and ground-fault protection.
- Before connecting the haze machine to power, check that the voltage indicated on the machine's serial label matches your local AC power voltage. If your AC power voltage does not match, do not use the machine. Contact Martin Service for assistance.
- Before using the machine, check that all power distribution equipment and cables are in perfect condition and rated for the current requirements of all connected devices.
- If the machine or any cables connected to it are in any way damaged, defective, wet, or show signs of overheating, stop using the machine and contact Martin Service for assistance. If the supply cord is damaged, it must be replaced by a special cord or assembly available from the manufacturer or its service agent.
- Disconnect the machine from AC power before servicing and when not in use.
- This system is not waterproof and should not be exposed to wet outdoor conditions. Do not immerse in water or any other liquid. Do not expose to high-pressure water jets.
- Do not spill fluid over or inside the machine. If fluid is spilled, disconnect AC power and clean with a damp cloth. If fluid is spilled onto electronic parts, take the system out of service and contact Martin for advice.

- Do not remove the covers or attempt to repair a faulty machine. Refer any service not described in this manual to Martin.
- Do not operate the machine if any parts are damaged, defective or missing.
- Moisture and electricity do not mix. Do not aim haze output at electrical connections or devices.

### Preventing burns and fire



- The haze produced by the machine is hot enough to cause burns when it leaves the nozzle, and very hot droplets of fluid escape occasionally. Keep people and objects at least 60cm (24 inches) away from the haze output nozzle.
- Do not touch the haze output nozzle during or after use – it becomes extremely hot and remains hot for several hours after the machine has been shut down.
- Haze output contains glycol, a flammable alcohol that burns with an almost invisible blue flame. Do not point haze output at sources of ignition such as open flames or pyrotechnic effects.
- Do not attempt to bypass thermostatic switches, fluid sensors or fuses.
- Replace fuses only with ones of the type and rating specified in this manual for the machine.
- Provide a minimum free space of 100mm (4 inches) around the machine.
- Provide a minimum free space of 500mm (20 inches) around fans and air vents and ensure free and unobstructed air flow to and around the machine.
- Keep the machine at least 60cm (24 inches) away from combustible and heat-sensitive materials.
- Do not operate the machine if the ambient temperature ( $T_a$ ) is below  $5^{\circ}\text{C}$  ( $41^{\circ}\text{F}$ ) or above  $40^{\circ}\text{C}$  ( $104^{\circ}\text{F}$ ).
- Do not operate the machine if the relative air humidity exceeds 80%.

### Preventing injuries



- Ensure that the surface on which the machine is located or installed can safely hold the weight of the machine.
- Do not install the machine over areas where people are present.
- This appliance is not intended for use by persons (including children) with reduced physical sensory or mental capabilities, or lack of experience and knowledge, unless they have been given supervision or instruction concerning use of the appliance by a person responsible for their safety. Children should be supervised to ensure that they do not play with the appliance.
- Haze machines can cause condensation. Do not point the output at smooth floors. Floors and surfaces may become slippery. Check these frequently and wipe dry as necessary to avoid any danger of slipping.
- Ensure at least 2m visibility in areas where haze is being produced.
- Haze fluid contains food-grade glycols and glycerol in solution but may present health risks if swallowed. Do not drink it. Store it securely. If eye contact occurs, rinse with water. If fluid is swallowed, give water and obtain medical advice.

## Preventing breathing problems



- A haze machine can operate safely only with the haze fluid it is designed for. Use the machine only with fluids specified under “Haze fluid options” on page 20 or you may cause the release of toxic gases, presenting a severe health hazard. You will also probably damage the machine.
- Do not create dense haze in confined or poorly ventilated areas.
- Do not expose people with health problems (including allergic and/or respiratory conditions such as asthma) to haze output.
- Do not point haze output directly at a person’s face or at face height.

# Product overview

## Product description

The Jem Ready 365™ is a versatile haze machine from Martin Professional designed for the highly demanding professional market. Its ability to produce exceptionally fine water-based atmospheric haze with long hang time makes it an ideal choice for rental houses, shows, theatres, TV studios, clubs, bars, cruise ships, theme parks and more, especially where the residue of oil-based hazers presents an issue.

Robust and portable, the Jem Ready 365™ is capable of dispersing an even, continuous haze with exceptional optical clarity and reflectivity, the perfect small-particle haze for highlighting today's highly defined light beams. A pressurised gas propulsion system ensures smooth distribution while a unique mixing channel allows the haze to optimize before being expelled.

Congratulations on your purchase of the Jem Ready 365™ from Martin. Details of the full range of Martin products are available on our website at [www.martin.com](http://www.martin.com).

## Features at a glance

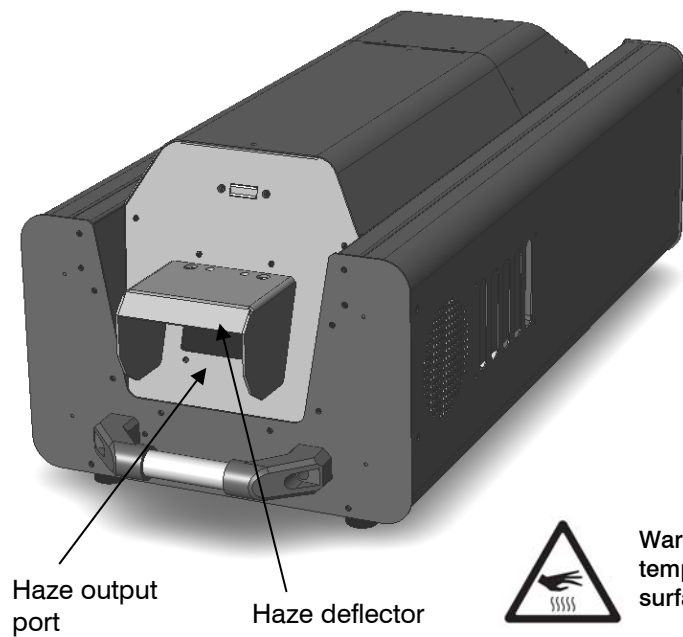
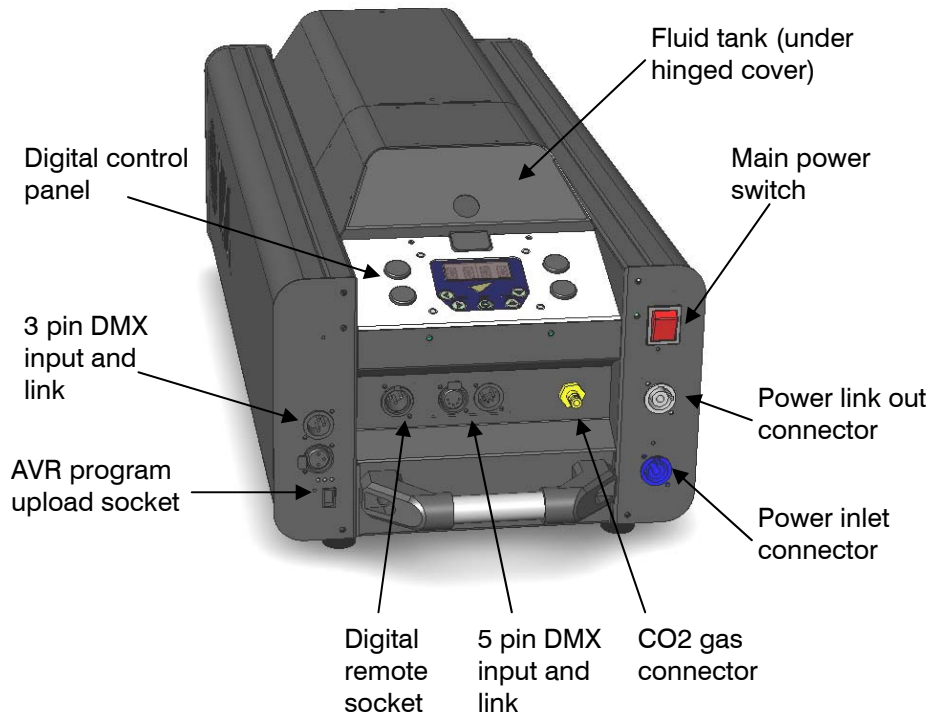
- Finest haze production in its class
- Small particle, even haze
- Continuous output
- 5 minute heat-up time
- Water-based fluid with long hang time
- Up to 70 hours continuous operation (subject to gas supply)
- Low noise (Silent Mode available)
- Portable
- Variable haze and fan controls with 5% increments
- 3.8 liter fluid capacity
- Sealed fluid system for transportation
- Advanced Pump Technology (APT)
- Standby battery runs automatic shutdown procedure after power down to prevent clogging
- RDM equipped
- On-board DMX, 5 pin or 3 pin
- User-friendly on-board control panel
- Optional Digital Remote Control



*Use only R365 Haze Fluid™. Use of other fluid will void warranty.*



# Product details



Warning, high temperature vapour and surfaces!

# Quick Start

You are no doubt eager to switch on the machine and try it out by making a lot of haze. This section tells you how to do that. However, please also make the time to read the safety and servicing instructions in the remainder of this manual.

## Setting up

Locate the machine in a suitably large area with nothing in front of the haze output.

Fill the fluid tank with 3.8 litres of Martin R365 Haze Fluid™ only. **Use of other fluid will void the warranty.**

Connect the gas line from the CO<sub>2</sub> cylinder using the push fit connector on the rear panel. Connect the regulator to the cylinder ensuring the plastic washer on the regulator is in place and tighten using a suitable spanner. Fully turn on the gas valve at the cylinder. No gas adjustment is required to vary the output of the machine. See page 12 for more information.

Connect a suitably rated power supply to the machine using the supplied Neutrik Powercon cable. The power requirements are 3.1A @ 230V (EU model) or 6.2A @ 120V (US model).

Now turn on the mains switch at the rear of the machine. The display will show **HEAT**, then after about 5-6 minutes the machine will reach operating temperature. If the display shows **OFF**, press the RUN button to the right of the display.

## Making haze

If the machine does not automatically start making haze, press the **RUN** quick access button to the right of the display. Press **RUN** again to stop the haze.

If you want to change the haze density, press the Menu < > buttons until the display shows **HAZE**, then press the Enter button and use the Value up/down buttons to select a value above 0%.

You can also adjust the fan speed using the **FAN** menu.



*If no haze is produced it may be necessary to prime the machine, press the Menu < > buttons until the display shows PRME, then press the Value Up button so the display shows Y, then press the Enter button.*

## Switching off

The Ready 365 is designed to run a self-cleaning cycle after power down to help prevent blockages. It uses an internal rechargeable battery to do this.

If cleaning is needed, when the power is disconnected the display will show **“WAIT”**, then **“WAIT 89”** counting down to **“WAIT 00”** will scroll across the display. The unit will then automatically power down.

If the unit is not to be used for some time, turn off the valve on the CO<sub>2</sub> cylinder.

# Installation and setting up



**DANGER! DO NOT** operate the haze machine until you have read and observed all the precautions listed under “Safety information” on page 5.

## Location

The Jem Ready 365™ is designed to be located on the floor. An optional trolley is available which holds the machine, two gas cylinders and one AF1 MKII fan.

Ensure that there is at least 100mm clearance all round the machine and at least 60cm in front of the haze output.

## AC power

Before using the machine, ensure that a grounding-type (earthed) power plug that fits the local power outlets is installed on the Neutrik Powercon cable provided.



**DANGER! Make sure the power plug is correctly rated:**

- For EU (230V) use fit a plug rated 10 amp minimum
- For US (120V) use fit a plug rated 10 amp minimum

When installing the plug, follow the plug manufacturer’s instructions and connect pins as follows:  
Yellow and green wire to ground (earth), blue wire to neutral and brown wire to live.

The table below shows some common pin identification schemes.

wire	function	marking	screw colour
brown	live	“L”	yellow or brass
blue	neutral	“N”	silver
green/yellow	earth		green

Before connecting the haze machine to power, verify that the AC supply is adequately dimensioned for the current draw of the machine. The machine requires:

3.1A @ 230V (EU model)

6.2A @ 120V (US model)

Check that the local AC voltage is appropriate, as indicated on the machine’s serial number label. If your AC voltage is outside the appropriate range, do not use the machine. Contact Martin Service for assistance.



*The Neutrik Powercon outlet connector is provided to power the Jem AF1 or AF2 fan. No other equipment should be connected to this outlet.*

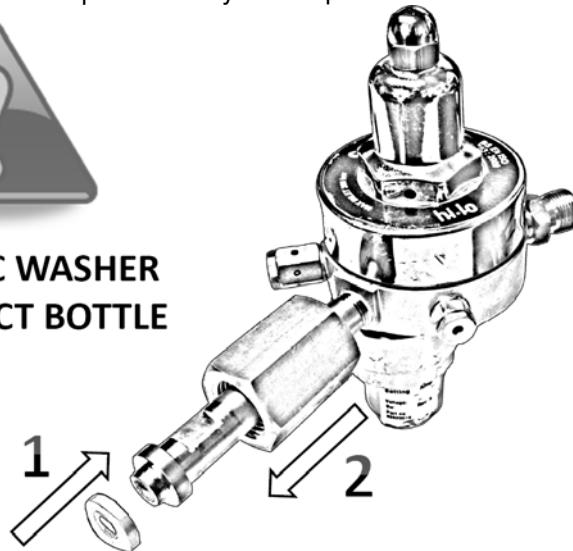
## Setting up

Fill the fluid tank only with Martin R365 Haze Fluid™ (see page 21).

Connect the gas line from the CO<sub>2</sub> cylinder using the push fit connector on the rear panel. Connect the regulator to the cylinder, ensuring plastic washer is in place, and tighten using a suitable spanner (see picture below). Fully turn on the gas valve at the cylinder. If using a variable regulator, set to 30PSI or 2Bar. No gas adjustment is required to vary the output of the machine.



1. PLASTIC WASHER
2. CONNECT BOTTLE



If DMX control is being used, connect the machine to the DMX line (see page 19).

If the Jem Digital Remote is being used (optional accessory), connect the remote to the Remote socket (see page 18).

The haze deflector flap on the front of the machine can be positioned in either the raised position so the haze goes up into the air, or in the lowered position to reduce air turbulence.

## Final checks

Before applying power to the haze machine, verify the following:

- the machine is safely located or installed and meets the location requirements stated on page 11
- the operator is familiar with, and able to comply with, the requirements for safe operation listed on page 5.
- the haze fluid is one of the genuine Martin fluids listed under “Haze fluid options” on page 21.
- the machine is electrically grounded (earthed)
- the AC power distribution circuits and lines are adequately rated for the current load

## Turning on the power

Turn on the main power switch located next to the power inlet. The display will show *H E F T*, then after about 5-6 minutes the display will show *R I Y* and the machine is ready to produce haze.

If the display shows  $\square F \square$ , press the RUN button to the right of the display to enable the machine.

### Turning off the power

The Ready 365 is designed to run a self-cleaning cycle after power down to help prevent blockages. It uses an internal rechargeable battery to do this.

If cleaning is needed, when the power is disconnected the display will show  $\square \square \square \square$ , then  $\square \square \square \square \square \square$  counting down to  $\square \square \square \square \square \square$  will scroll across the display. The unit will then automatically power down.

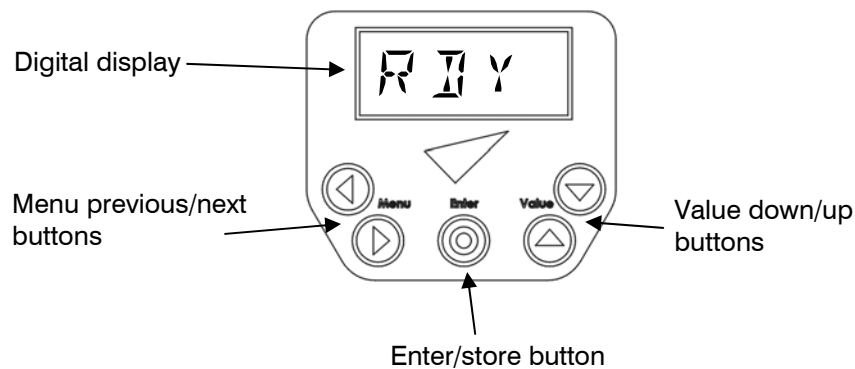
If the unit is not to be used for some time, turn off the valve on the CO<sub>2</sub> cylinder.

# Control settings

## Overview

The four **quick access buttons** to the left and right of the digital display at the rear of the unit allow you to quickly set the haze level and engage timer or continuous run modes.

The **digital display** in the centre of the top panel allows you to configure the machine using option menus.



## Quick access buttons

The two quick access buttons to the left of the display allow you to quickly set the machine to one of two haze output levels, and engage timer mode or continuous run mode. The display shows the current setting.

quick mode	haze and fan settings
PRE 1	Haze 55%, Fan 20%
PRE 2	Haze 20%, Fan 20%

The buttons to the right of the display change the operating mode.

Press RUN to turn on haze in continuous run mode. The display shows `CONT`. To stop the haze, press the Run button again to set the machine to Standby mode (heaters remain on).

Press SILENT to engage a low noise mode which slows down the fan. If the RUN button is used to stop the haze, Silent mode is not cancelled. Silent mode is a global setting and will affect both manual and DMX control. Note that using silent mode may cause increased gas consumption.



*To change the preset settings, adjust the Fan and Haze settings using the menu, then within 3 seconds press the Pre1/Pre2 button to store the settings. `SET` will then be displayed if successful.*

## Setting Run mode

The Run mode sets the operational mode of the unit, either Off, Standby (heaters remain on), Fan only, Timer mode or Continuous mode.

Use the Menu Previous / Next buttons to select the **RUN** option.  
Use the Up/Down buttons to select **OFF**, **STBY**, **FAN**, **TIME**, **CONT**.  
Press the Enter button to store the setting. The display shows **SET**.

When the mode is changed to **OFF**, if the unit has been running it will enter a 90-second shut down sequence before powering down, to prevent block clogging. The display shows **WRT** with a countdown. You can cancel the shut-down sequence by changing the run mode back to an active state.

## Setting Haze density

Use the Menu Previous / Next buttons to select the **HAZE** option.  
Use the Up/Down buttons to select the density from **0%** – **100%**.  
Press the Enter button to store the haze setting. The display shows **SET**.



*If you want to temporarily change the haze density, do not press Enter. The haze setting will go back to its stored value next time the machine is powered up. This applies to all options.*

## Setting Fan speed

Use the Previous / Next buttons to select the **FAN** option.  
Use the Up/Down buttons to select the fan speed from **0%** – **100%**.  
Press the Enter button to store the fan setting.

The fan will run continuously if set above 0% and the RUN menu is set to FAN, TIME or CONT.

If haze is being produced and the fan is off or set to a low speed, the fan speed will be automatically increased to prevent build-up of haze at the machine output.



*If using the deflector on the front of the machine, use a low fan speed.*

## Setting the Timer

To enable timer operation, select the Time option from the Run menu (or press the quick access **TIMER** button). You can then set the **TRUN** (run time) and **TOFF** (off time) values using the menu options. Times are set in seconds and are in the range 1-90. The timer will cycle continuously until the run menu is changed.

Timer mode is useful for maintaining a low level of haze in smaller venues.



*When the timer is running and the display is not showing a menu, the display shows **RNxx** or **OFxx** (where the xx is the time counting down) as the timer cycles between run and off modes.*

## Setting the DMX base address

Use the Previous / Next buttons to select the **DMX** option.  
Use the Up/Down buttons to set the DMX base address from 001 to 529. If you hold down the button the address will count up or down.  
Press the Enter button to store the address setting.  
The machine will automatically respond to a DMX controller whenever it is connected. The Address may also be set via RDM, and requires 3 channels.

When using in a DMX system ensure the LINK menu is set to RECV to avoid causing DMX errors to other devices on the system.

## Setting the master-slave link mode

It is possible to control several machines from one digital remote. The machine with the remote plugged into it becomes the Master. The other machines are Slaves. The machines are interconnected with DMX cabling.

Use the Previous / Next buttons to select the **LINK** option.  
Use the Up/Down buttons to select **RECV** (slave unit) or **SEND** (master unit).  
Press the Enter button to store the link setting.

The machine should be set to **SEND** only if it is running as a master. If running as a slave, stand-alone or DMX controlled it should be set to **RECV**.

## Checking gas pressure

Select the **PSI** option, then use the Enter button to display the recorded value. The display will show the gas pressure in PSI which should be about 34 when running at 100% output (not in silent mode). This information is for diagnostic use only and has no effect on the operation of the machine, gas pressure control being fully automatic.

To disable the PSI display, use the menu forward/ back keys or wait for a timeout of the display to occur.



*The machine automatically compensates for changing gas pressure. You cannot change the haze density by adjusting the gas cylinder valve. If the gas cylinder runs out, the machine will run for about 30 minutes before shutting down and the display will show GAS LOW, followed by GAS OUT.*

## Priming the machine after fluid out

If the machine runs out of fluid it should be shut down to prevent damage to the pump. To suck the new fluid back into the machine, replace/refill the fluid tank and use the prime function.

Use the Previous / Next buttons to select the **PRIME** option.  
Use the Up/Down buttons to change the option to **Y**.  
Press the Enter button to start the priming function.

The machine will pump at full power for about 10 seconds or until the unit senses fluid in the heat exchanger. You may need to repeat this two or three times if the fluid pipes are completely empty.  
To exit this menu if you decide not to activate the Prime function, select **N** and press Enter.



If the machine is not up to operating temperature the Prime function will do nothing.

## Resetting options to factory settings

The factory settings configure a standard mode of operation for the machine.

Use the Previous / Next buttons to select the **R S E T** option.

Use the Up/Down buttons to change the option to **Y**.

Press the Enter button to reset all options.

To exit this menu if you decide not to reset the options, select **N** and press Enter.

The factory settings are:

option	setting
HAZE	30%
FAN	30%
TRUN	20 seconds
TOFF	20 seconds
RUN	STBY
ADDR	001
LINK	RECV
ALT	00
PRME	N

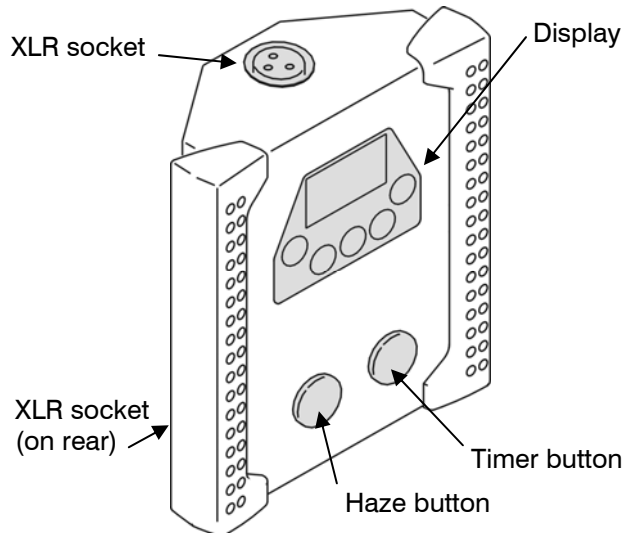
## Aux menu

The Aux menu currently has no function on this machine.

# Remote control

## Overview

The Jem digital remote control, available separately, may be used for remote control of the Jem Ready 365™. Several machines may be controlled from one remote using the LINK function (see page 16).



## Functions

The remote control provides the following functions:

- Haze button: turns haze output on and off. Press once to start haze and again to stop.
- Timer button: turns the haze timer on and off.
- Haze level setting (HAZE = 0 -100%)
- Fan speed setting (FAN = 0 -100%)
- Timer run time/off time settings (TRUN = 1 -90 seconds, TOFF = 20-89 seconds)
- Run mode (RUN = OFF, STBY, FAN, TIME, CONT)

The functions are the same as on the built in control panel and are described on page 13.

The **RUN** menu duplicates the functions of the Haze and Timer buttons. The buttons are simply a quick way to control this menu function.

## Connection

The remote control has two identical XLR sockets on the top and back for connection to the Jem Ready 365™. Plug the cable provided with the remote control into one of these sockets and into the 3-pin XLR socket on the rear panel of the Jem Ready 365™.

The remote control is powered through its cable by the Jem Ready 365™; no batteries are required.

The cable may be extended to up to 25 m (82 ft.) with a 3-pin XLR DMX cable, available from your Martin dealer.

# DMX control

## Overview

DMX is a digital control system widely used in entertainment and architectural lighting. Any controller meeting the DMX-512 standard may be used to control and program the haze output of the Jem Ready 365™.



*When a DMX signal is present, the Jem Ready 365™ stand-alone functions do not work. To fire the unit from the control panel or remote control, the DMX controller must be powered off or disconnected.*

## Connection

The Jem Ready 365™ provides 3-pin or 5-pin XLR sockets on the rear panel of the base for DMX connection. The sockets are interconnected: a DMX line connected to the 3-pin IN socket may be continued through the 5-pin OUT socket and vice versa. Do not, however, attempt to split a DMX line by using both the 3-pin and 5-pin OUT sockets.

For best results, use cable designed for high speed digital data transmission. Suitable DMX cable is available from your Martin dealer.

## DMX functions

The Jem Ready 365™ address setting must match the DMX address allocated to it on your lighting console. To set the address, see “Setting the DMX base address” on page 16. The Jem Ready 365™ requires three DMX channels.

For example if the Jem Ready 365™ is set to DMX address 100, channel 1 will be controlled by address 100 and, channel 2 will be controlled by address 101, etc.

When the machine is at running temperature and is under DMX control it displays `DMX`, or various error messages such as `ERR LOW`.

The functions of each DMX control channel are as follows:

Channel 1	DMX value range	Function	Macro description	Default value
Haze output Level	0-12	Idle range	None	0
	13- 24	Haze 5%		
	25- 36	Haze 10%		
	.....	.....		
	245 -255	Haze 100%		
Channel 2	DMX value range	Function	Macro description	Default value
Fan output level (fan will always run if haze is active)	0-12	Idle range	None	0
	13-24	Fan 5%		
	25-36	Fan 10%		
	.....	.....		
	245 -255	Fan 100%		
Channel 3	DMX value range	Function	Macro description	Default value
Special functions	0-50	Idle range	None	0
	51-100	Prime	5 seconds within range to activate once	
	101-150	Auto Fan mode	None (level triggered)	
	151-200	Heater off & shutdown	5 seconds within range to activate once	
	201-255	Heater on (normal operation)	None, but heaters will stay on if channel 3 returns to zero	

## RDM operation

The Jem Ready 365™ supports DMX Remote Device Management (RDM). This allows configuration and status monitoring of the machine from a suitably equipped lighting console or control system.

The following can be configured using RDM:

- Set/read DMX start address
- Set/read RDM device label
- Reset device
- Reset options to factory defaults

The following parameters can be read using RDM:

- Device status (ready, heating, gas errors)
- DMX "slot" functions (channel functions)
- Device software version
- Device model/manufacture
- Service Data

## Haze fluid types

The Jem Ready 365™ must only be used with R365 Haze Fluid™. Martin supplies high quality haze fluids that are based on ultra-pure deionized water. No other fluid is suitable for use.



**DANGER!** The Jem Ready 365™ can run safely only on the specific haze fluid it is designed for. Use **ONLY** the Martin haze fluid designated in this manual. **NEVER** use any other type of fluid, or toxic gas may be produced. You will probably also cause damage to the system that will invalidate the product warranty. Do not dilute haze fluid with water or any other liquid. Discard haze fluid if it becomes contaminated.

## Basic service



Before servicing the Jem Ready 365™, read and observe all the precautions listed in “Safety information” on page 5. Any service not described in this section must be carried out by a Martin service technician.

### Cleaning

Excessive dust, haze fluid, and dirt build-up will degrade performance and cause overheating and damage to the machine that is not covered by the product warranty. To maintain adequate cooling, dust must be cleaned from the outer casing and air vents of the machine periodically.



Isolate the machine from power and allow to cool completely before cleaning. The haze output nozzle remains hot for a period after use.

- Remove dust from the air vents with a soft brush, cotton swab, vacuum, or compressed air.
- Clean haze fluid residues from the haze output of the machine using a damp cloth.
- Clean the outer casing with a damp cloth only.

### Fuse replacement

The two fuses for the haze machine are located on the electronics board inside the unit.



**DANGER!** Disconnect the power supply before removing any covers. Live parts inside!

To replace a fuse, disconnect the power cord from the supply, unscrew the screws holding the top cover of the unit and remove the cover. The electronics board is located in the compartment under the display.

Remove the spent fuse and replace with one of exactly the same size and rating. The fuse type is indicated below. Contact Martin Service if the fuse blows repeatedly.

F1

120V = 10AT  
230V = 6.3AT

F2

120V = 3.15AT  
230V = 3.15AT

# Troubleshooting

Problem	Probable cause(s)	Suggested remedy
Machine will not produce haze when control panel set to <b>RUN</b> or remote control Haze switch turned on	Machine not at operating temperature	Wait until <b>HEAT</b> message no longer shown
	<b>HAZE</b> set to 0	Increase setting
	<b>TRUN</b> set to 0	Increase setting
	DMX signal present	Disconnect or turn off DMX controller
Machine can be fired from control panel or remote control, but not by DMX controller	DMX address setting incorrect	Change DMX address (page 14)
	Poor connection in DMX line	Check DMX cables and connections
	LINK menu is set to SEND	Set LINK menu to RECV
Haze output is weak	Machine requires priming	Prime machine (page 15)
Wet, greasy, non-uniform haze output, fluid drips or spits from nozzle, or very loud noise when firing machine	Incompatible haze fluid	Use approved fluid!
Machine appears dead	Mains fuse blown	Replace fuse (page 21)
	No power at AC cable inlet	Check power cable and circuit breaker
Machine causes DMX errors to occur on other units when connected to a DMX system	LINK menu is set to SEND	Set LINK menu to RECV

## Status messages

message	reason
OFF	The heaters are Off, the unit is shut down.
HEAT	The unit is heating up to operating temperature.
RDY	The heater is at operating temperature, but Haze is not turned on (RUN set to STBY or HAZE set to 0%).
DMX	The heater is at operating temperature and the unit is under DMX control.
ON	The heater is in run mode and is producing haze.
CAL ERR	The machine has detected an error with its calibration settings and will not operate. Call Martin Service.
OVER TEMP	The machine has detected an error in the temperature sensor and will not operate. Call Martin Service.
WAIT	The machine is running a cleaning cycle which lasts 90 seconds (number may be 89 to 0)
GAS OUT	There is no gas pressure in the cylinder.
GAS LOW	The gas pressure is too low to operate and the machine will turn off in approximately 20 minutes.
BATT	(on start-up) The internal battery is low and the last shutdown did not complete. If this message displays on every start-up, call Martin Service to obtain a replacement battery.

### Resetting the machine after fluid out

If the machine runs out of fluid simply refill the fluid container and follow the priming instructions on page 15.



# Specifications

## Physical

Length .....	766mm
Width .....	318mm
Height.....	268mm
Dry weight .....	19Kg

## Performance

Operating time .....	continuous
Warm up time (approx) .....	5-6 minutes
Max' operating time at min output .....	8 hours

## Control and programming

Control options .....	onboard digital control panel, DMX (3&5 pin), .....Multi function digital remote control (optional).
DMX channels .....	3
RDM .....	RDM equipped

## Fluid system

Fluid pump .....	Oscillating piston, high pressure
Capacity .....	3.8 L
Compatible fluids .....	R365 Haze Fluid™ only

## Gas system

Type .....	Inert gas (CO2)
Supply type .....	Vapour take off ONLY
Storage.....	External gas cylinder, self-sealing quick connector
Pressure management ....	Pressure readout, low-pressure warning, OFG (Out of Gas) system
Typical gas consumption.....	250g (8.8 oz.) per hour

## Connections

DMX data.....	5 or 3 pin XLR
Remote / machine link .....	3 pin XLR
AC power .....	Neutrik PowerCon

## Electrical

AC power (EU models) .....	220-240V, 50/60Hz
AC power (US models) .....	110-120V, 50/60Hz
Main fuse (EU models) .....	6.3AT
Main fuse (US models) .....	10AT
Heat exchanger (EU models).....	600W
Heat exchanger (US models) .....	600W

## Thermal

Maximum ambient temperature (Ta max).....	40°C (104°F)
Exterior surface temperature, steady state, at 20°C ambient .....	40°C (104°F)
Max nozzle temperature.....	290°C (554°F)

## Approvals



European EMC:..... EN 61000-6-3:2001  
 European safety: ..... EN 60 335-1:2002  
 Immunity: ..... EN 61000-6-1:2001  
 ..... EN 50 366 : 2003 Electromagnetic fields  
 ETL approval (pending) ..... UL Std.998, CAN/CSA Std. C22.2 No 104-01

### Included items:

User manual  
 Power cable  
 Fluid Container 3.8L  
 Gas connection hose with 9mm and 3/8" BSP connectors

### Ordering information

Jem Ready 365 Hazer 120V 50/60Hz .....92225975  
 Jem Ready 365 Hazer 230V 50/60Hz .....92225970

### Accessories

Remote Control, JEM Ready 365™ .....92765041  
 Trolley, JEM Ready 365™ .....92620025  
 CO2 pressure regulator ..... Country specific

Flight cases which have been custom designed for transportation and storage of the Jem Ready 365 are available directly from [www.swanflight.com](http://www.swanflight.com).

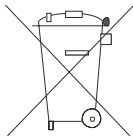
### Regulator Application Matrix

Part no.	Description	Common application
92620014	R365 REG UK	UK, Australia, Singapore, Denmark, Sweden, Iceland, Italy, Republic of Ireland, Malta, Austria, Norway, Finland, Algeria, United Arab Emirates, Switzerland, Hong Kong, Spain
92620015	R365 REG DE	Germany
92620016	R365 REG USA	USA, Canada, Brazil
92620017	R365 REG FR	France, Belgium, North Africa
92620018	R365 REG Custom	Contact Factory
92620019	R365 REG NL	Netherlands
92620020	R365 REG JPN	Japan
92620021	R365 REG RU	Russia

Should you wish to use a regulator other than the Martin-approved units above, please ensure that the regulator adheres to the following specifications:  
*CO2 regulator outputting 30psi (2 bar), preferably of two-stage design.*

*Specifications subject to change without notice. For the latest product specifications, see [www.martin.com](http://www.martin.com)*





#### **Disposing of this product**

Martin™ products are supplied in compliance with Directive 2002/96/EC of the European Parliament and of the Council of the European Union on WEEE (Waste Electrical and Electronic Equipment), as amended by Directive 2003/108/EC, where applicable.

Help preserve the environment! Ensure that this product is recycled at the end of its life. Your supplier can give details of local arrangements for the disposal of Martin products.



Martin Professional A/S, Olof Palmes Allé 18, DK-8200, Aarhus N  
Phone: +45 87 40 00 00 Internet: [www.martin.com](http://www.martin.com)