

U-Bracket option.

Single Tilt Kit Option
Vertical orientationDual Tilt Kit Option
Horizontal OrientationWood Beam Option
Vertical Orientation

Swivel Arm Beam Clamp

With Rotating Suspension Arm



Swivel Structural Beam Clamps are time-saving rigging solutions that provide a safe and load-rated method of securing loads from overhead Beams. Once anchored to a beam, they provide a simple and reliable method for aiming loudspeakers and other objects.

Swivel Beam Clamps secure to a building's overhead structural beams, steel or wood, for widths ranging from 3.0" to 12.0" (76 to 305 mm) wide.

It's lower suspension arm comes in a variety of lengths to suit the needs of the installation and rotates 360 degrees for precise aiming.

Swivel Beam Clamps support a variety of rigging and mounting options including the AJ Series adjustable U-Brackets, fixed length wire rope suspensions and the Steerables adjustable Tilt Cable Kits. These options provide accurate down tilt positioning for desired aiming requirements of any object from overhead.

A division of:
ADAPTIVE TECHNOLOGIES GROUP
1635 E. Burnett Street
Signal Hill, CA 90755 USA
PH: 562.424.1100 FX: 562.424.3520

ATM
FLY-WARE®

www.atmflyware.com

OPTIONAL ACCESSORIES

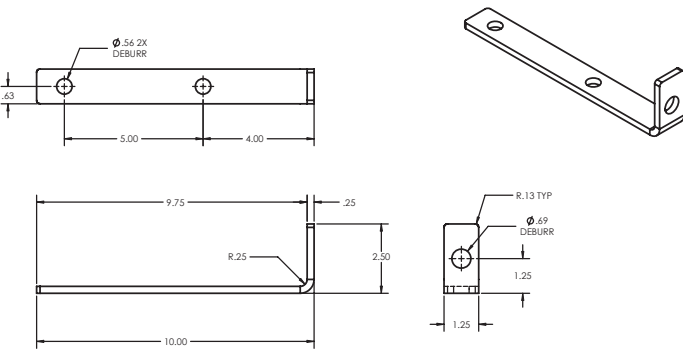
- **AJ-1524** - Adjustable U-Bracket
- **AJ-2336** - Adjustable U-Bracket
- **TCK Series** - Adjustable Tilt Cable Kit
- **TCK2 Series** - Adjustable Tilt Cable Kit
- **FC Series** - Fixed Length Wire Rope Assemblies

SPECIFICATIONS:

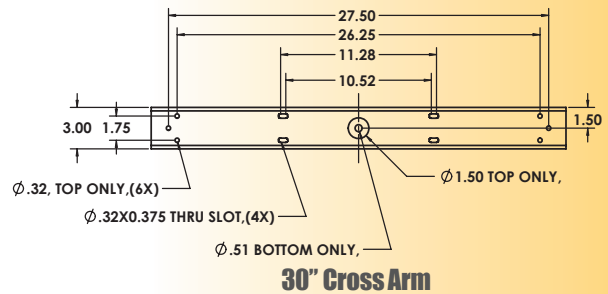
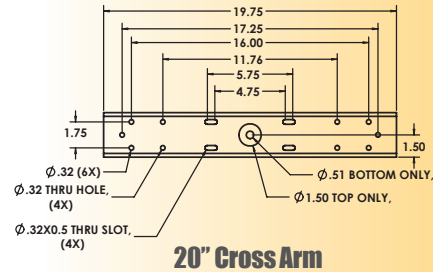
- Material:** Structural Steel Alloy
- Finish:** Powder Coat
- Colors:** Black / White
- Pan Rotation:** 360 horizontal
- Working Load:** 300 lb./136.4 Kg
- Design Factor:** 5:1 ratio
- Pack Count:** 1/carton

WOOD BEAM SUSPENSION OPTION

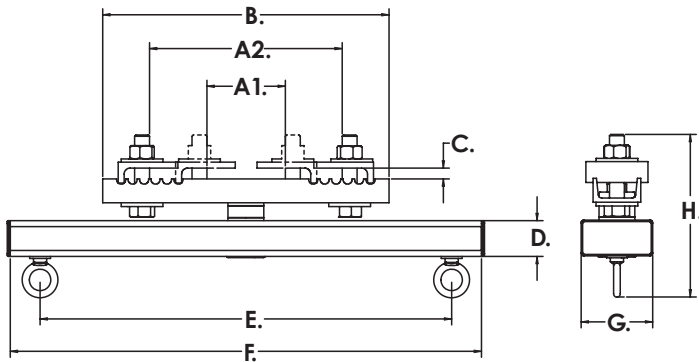
BC - LAM - KIT



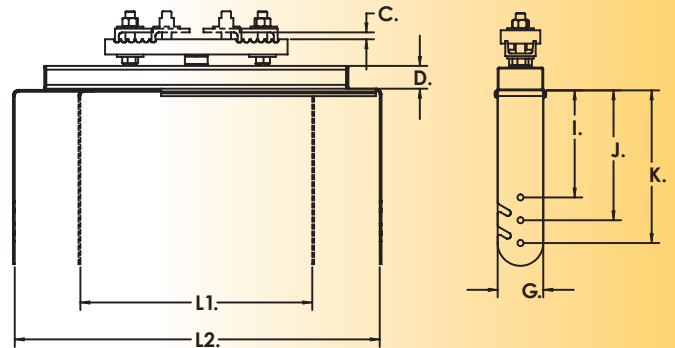
To suspend and swivel objects from structural wood and laminate beams, add this pre-engineered adapter bracket kit with the Swivel Beam.



EYEBOLT SUSPENSION OPTION



U-BRACKET SUSPENSION OPTION



SWIVEL BEAM ARRAY DIMENSIONS

	A1	A2	B	C	D	E	F	G	H (REF)	I	J	K	L1	L2
SBC3-8-CA-20	3	8	12	.50 MAX	1.5	17.25	19.75	3	6.8	7	8.5	10	15	24
SBC3-8-CA-30	3	8	12	.50 MAX	1.5	27.5	30	3	6.8	7.9	9.4	10.9	23	36
SBC8-12-CA-20	8	12	16	.50 MAX	1.5	17.25	19.25	3	6.8	7	8.5	10	15	24
SBC8-12-CA-30	8	12	16	.50 MAX	1.5	27.5	30	3	6.8	7.9	9.4	10.9	23	36