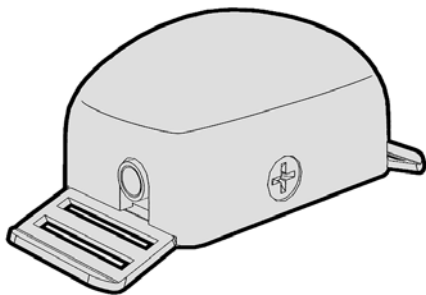


datavideo®



**TALLY LIGHT
INDICATOR
TD-2**

Quick Start Guide

www.datavideo.com

Warranty

Standard Warranty

- ◆ Datavideo equipment is guaranteed against any manufacturing defects for one year from the date of purchase.
- ◆ The original purchase invoice or other documentary evidence should be supplied at the time of any request for repair under warranty.
- ◆ Damage caused by accident, misuse, unauthorized repairs, sand, grit or water is not covered by this warranty.
- ◆ All mail or transportation costs including insurance are at the expense of the owner.
- ◆ All other claims of any nature are not covered.
- ◆ Cables & batteries are not covered under warranty.
- ◆ Warranty only valid within the country or region of purchase.
- ◆ Your statutory rights are not affected.

Two Year Warranty

- ◆ All Datavideo products purchased after 01-Oct.-2008 qualify for a free one year extension to the standard Warranty, providing the product is registered with Datavideo within 30 days of purchase. For information on how to register please visit www.datavideo-tek.com or contact your local Datavideo office or authorized Distributors
- ◆ Certain parts with limited lifetime expectancy such as LCD Panels, DVD Drives, Hard Drives are only covered for the first 10,000 hours, or 1 year (whichever comes first).

Any second year warranty claims must be made to your local Datavideo office or one of its authorized Distributors before the extended warranty expires.

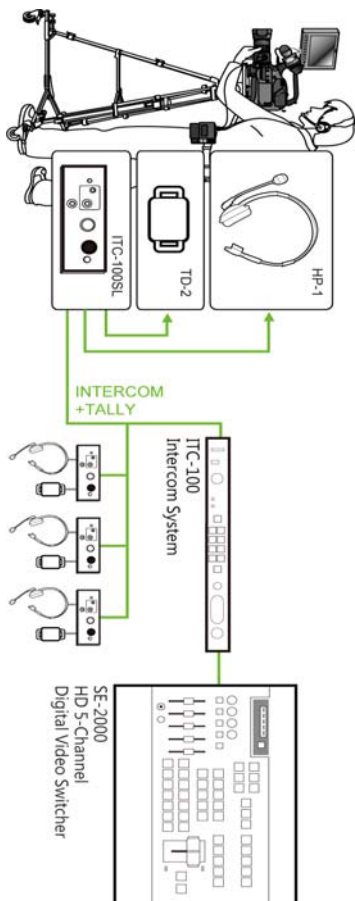
Disposal



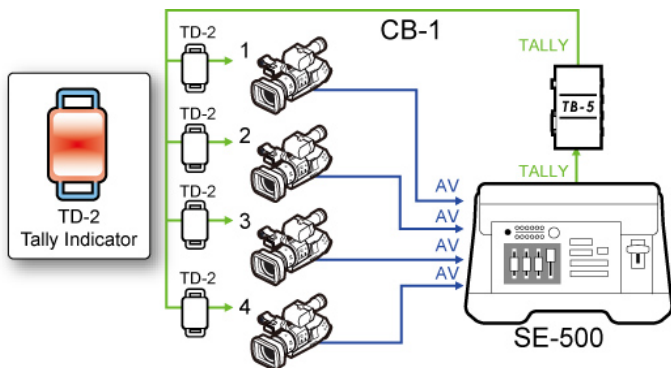
For EU Customers only - WEEE Marking

This symbol on the product indicates that it will not be treated as household waste. It must be handed over to the applicable take back scheme for the recycling of electrical and electronic equipment. For more detailed information about the recycling of this product, please contact your local Datavideo office.

System Diagram (A)

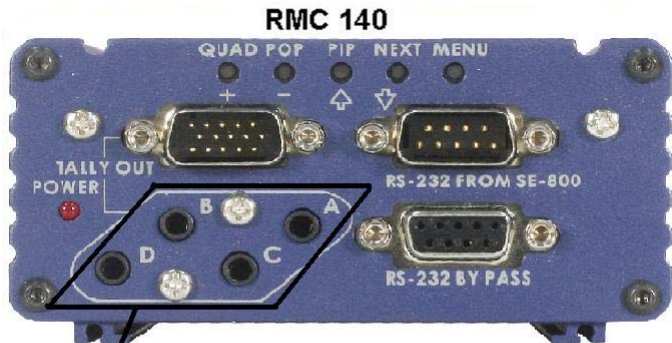


System Diagram (B)



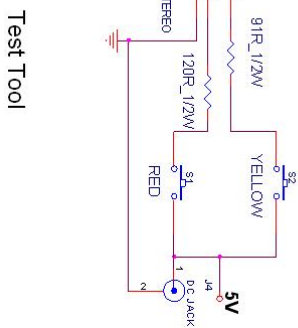
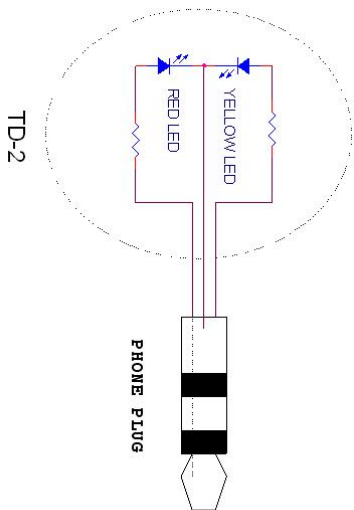
Tally light definition

Message	On Line/On Air/Live	Stand by/Cued	Free/Safe
Light	RED	AMBER	No light



Connect the TD-2 to the RMC 140 Tally Light Output 3.5mm Jack Sockets, via the CB-1 cable.

If you want to test the TD-2, you can use a simple test tool.



Service & Support

It is our goal to make your products ownership a satisfying experience. Our supporting staff is available to assist you in setting up and operating your system. Please refer to our web site www.datavideo.com for answers to common questions, support requests or contact your local office below.

Datavideo USA

Datavideo Corporation
7048 Elmer Avenue.
Whittier, CA 90602,
U.S.A.
Tel: +1-562-696 2324
Fax: +1-562-698 6930
E-mail: sales@datavideo.us

Datavideo Taiwan

Datavideo Technologies Co. Ltd
10F, No. 176, Jian 1st Rd., Chung Ho
District, New Taipei City 235, Taiwan,
R.O.C.
Tel: +886-2-8227-2888
Fax: +886-2-8227-2777
E-mail: service@datavideo.com.tw

Datavideo Hong Kong

Datavideo Hong Kong Ltd
G/F, 26 Cross Lane
Wanchai, Hong Kong
Tel: +852-2833-1981
Fax: +852-2833-9916
E-mail: info@datavideo.com.hk

Datavideo The Netherland

Datavideo Technologies Europe BV
Floridadreef 106
3565 AM Utrecht,
The Netherlands
Tel: +31-30-261-96-56
Fax: +31-30-261-96-57
E-mail: info@datavideo.nl

Datavideo China

Datavideo Technologies China Co
101, NO. 618, LiuYing Rd, Zhabei District,
Shanghai, China
Tel: +86 21-5603 6599
Fax: +86 21-5603 6770
E-mail: service@datavideo.cn

Datavideo France

Datavideo France s.a.r.l
Cit  Descartes 1, rue Albert Einstein
Champs sur Marne
77447-Marne la Vall e cedex 2
Tel: +33-1-60370246
E-mail: info@datavideo.fr

Datavideo United Kingdom

Datavideo UK Limited
Units1 & 2 Waterside Business Park
Hadfield, Glossop, Derbyshire
SK13 1BE, UK
Tel: +44-1457 851 000
Fax: +44-1457 850 964
E-mail: sales@datavideo.co.uk

Datavideo Singapore

Datavideo Technologies (S) PTE Ltd
No. 178 Paya Lebar Road #06-03
Singapore 409030
Tel: +65-6749 6866
Fax: +65-6749 3266
E-mail: sales@datavideo.sg

Datavideo India

Datavideo Technologies India Pvt l
A-132, Sec-63, Noida-201307,
Uttar Pradesh (UP), India.
Tel: +91-0120-2427337
Fax: +91-0120-2427338
E-mail: sales@datavideo.in



Please refer to our website for update the latest version manual.

www.datavideo.info/Converters/TD-2

datavideo®
www.datavideo.com

All the trademarks are the properties of their respective owners.

Datavideo Technologies Co., Ltd. All rights reserved 2018

Feb-10.2014 P/N: G082060707B2