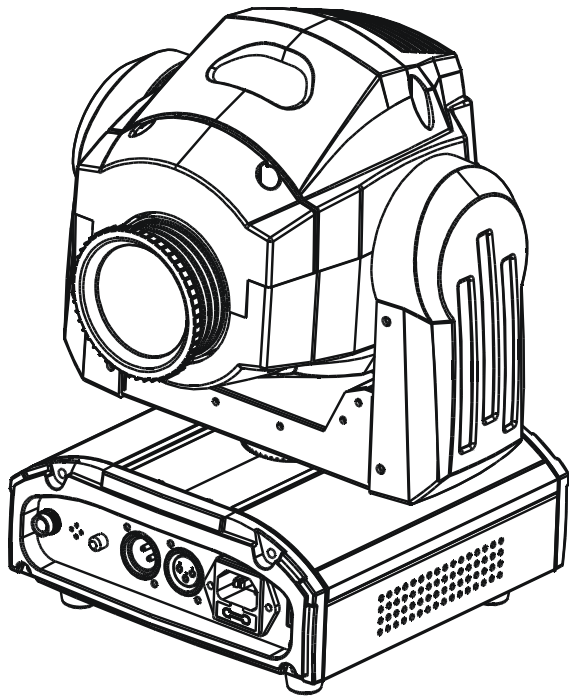




# INNO SPOT LED WIFLY



## User Instructions

©2013 ADJ Products, LLC all rights reserved. Information, specifications, diagrams, images, and instructions herein are subject to change without notice. ADJ Products, LLC logo and identifying product names and numbers herein are trademarks of ADJ Products, LLC. Copyright protection claimed includes all forms and matters of copyrightable materials and information now allowed by statutory or judicial law or hereinafter granted. Product names used in this document may be trademarks or registered trademarks of their respective companies and are hereby acknowledged. All non-ADJ Products, LLC brands and product names are trademarks or registered trademarks of their respective companies.

**ADJ Products, LLC** and all affiliated companies hereby disclaim any and all liabilities for property, equipment, building, and electrical damages, injuries to any persons, and direct or indirect economic loss associated with the use or reliance of any information contained within this document, and/or as a result of the improper, unsafe, insufficient and negligent assembly, installation, rigging, and operation of this product.

Europe Energy Saving Notice

Energy Saving Matters (EuP 2009/125/EC)

Saving electric energy is a key to help protecting the environment. Please turn off all electrical products when they are not in use. To avoid power consumption in idle mode, disconnect all electrical equipment from power when not in use. Thank you!

## Inno Spot LED WiFly

## General Information

**Unpacking:** Thank you for purchasing the Inno Spot LED WiFly by ADJ Products, LLC. Every Inno Spot LED WiFly has been thoroughly tested and has been shipped in perfect operating condition. Carefully check the shipping carton for damage that may have occurred during shipping. If the carton appears to be damaged, carefully inspect your fixture for any damage and be sure all equipment necessary to operate the unit has arrived intact. In the event damage has been found or parts are missing, please contact our toll free customer support number for further instructions. Please do not return this unit to your dealer without contacting customer support first.

**Introduction:** The Inno Spot LED WiFly is a ten channel DMX intelligent, moving head, mini LED fixture. The Inno Spot LED WiFly can operate as a stand alone fixture or in a Master/Slave configuration. The Inno Spot LED WiFly has three operating modes; a sound active, show mode, DMX controlled. This fixture is suitable for theaters, studios, retail stores, and other similar locations. *For best results use fog or special effects smoke to enhance the beams projections.*

**Customer Support:** ADJ Products, LLC provides a toll free customer support line, to provide help and to answer any question should you encounter problems during your set up or initial operation. You may also visit us on the web at [www.adj.com](http://www.adj.com) for any comments or suggestions. Service Hours are Monday through Friday 8:00 a.m. to 4:30 p.m. Pacific Standard Time.

Voice: (800) 322-6337  
Fax: (323) 582-2941  
E-mail: [support@adj.com](mailto:support@adj.com)

**Warning!** To prevent or reduce the risk of electrical shock or fire, do not expose this unit to rain or moisture.

**Warning!** *This may cause severe eye damage. Avoid looking directly into the light source at all times!*

**CAUTION: This unit like any wireless device is highly susceptible to static electricity. Static electricity can severely damage the unit. Before touching the antenna, please ground/discharge yourself.**

## Inno Spot LED WiFly

## General Instructions

To optimize the performance of this product, please read these operating instructions carefully to familiarize yourself with the basic operations of this unit. These instructions contain important safety information regarding the use and maintenance of this unit. Please keep this manual with the unit, for future reference.

## Inno Spot LED WiFly

## Features

- DMX-512 Protocol Compatible (Ten DMX Channels)
- 8 Colors + White
- 6 Rotating, Replaceable Gobos + Spot
- 3 Operating Modes - Sound Active, Show Mode, & DMX Control
- Internal Microphone
- Digital Display for Address and Function Setting
- UC3 Controller (Not Included)
- 4 Preprogrammed Shows

## Inno Spot LED WiFly

## Warranty Registration

The Inno Spot LED WiFly carries a 2 year (730 days) limited warranty. Please fill out the enclosed warranty card to validate your purchase and warranty. You may also register your product online at [www.adj-products.com](http://www.adj-products.com). All returned service items whether under warranty or not, must be freight pre-paid and accompany a return authorization (R.A.) number. If the unit is under warranty you must provide a copy of your proof of purchase invoice. Please contact ADJ Products, LLC customer support for a R.A. number.

## Inno Spot LED WiFly

## Handling Precautions

**Caution!** There are no user serviceable parts inside this unit. Do not attempt any repairs yourself, doing so will void your manufactures warranty. In the unlikely event your unit may require service please contact ADJ Products, LLC.

*During operation the housing may become extremely hot. Avoid touching the unit with bare hands while in use.*

*ADJ Products, LLC will not accept any liability for any resulting damages caused by the non-observance of this manual or any unauthorized modification to this unit.*

***For Your Own Personal Safety, Please Read and Understand This Manual Completely Before You Attempt To Install Or Operate This Unit!***

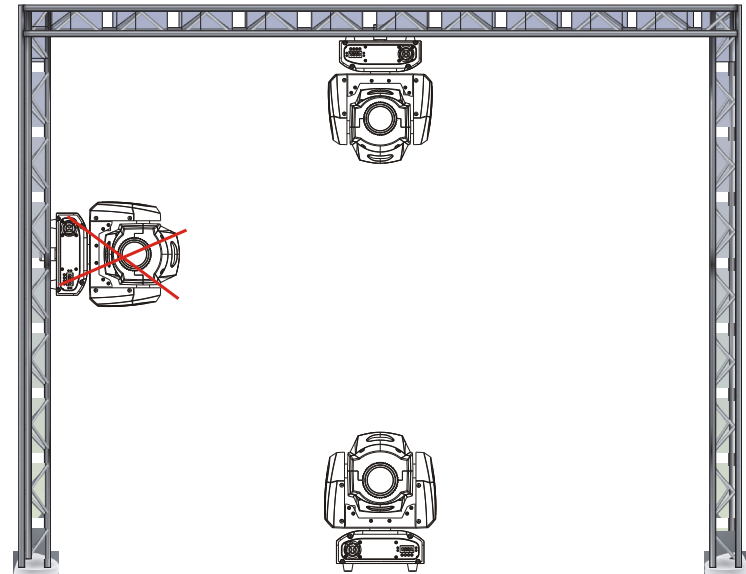
- To reduce the risk of electrical shock or fire, do not expose this unit rain or moisture
- Do not spill water or other liquids into or on to your unit.
- Be sure that the local power outlet match that of the required voltage for your unit.
- Do not attempt to operate this unit if the power cord has been frayed or broken.
- Do not attempt to remove or break off the ground prong from the electrical cord. This prong is used to reduce the risk of electrical shock and fire in case of an internal short.
- Disconnect from main power before making any type of connection.
- Do not remove the cover under any conditions. There are no user serviceable parts inside.
- Never operate this unit when it's cover is removed.
- Always be sure to mount this unit in an area that will allow proper ventilation. Allow about 6" (15cm) between this device and a wall.
- Do not attempt to operate this unit, if it becomes damaged.
- This unit is intended for indoor use only, use of this product outdoors voids all warranties.
- Always mount this unit in safe and stable matter.
- Power-supply cords should be routed so that they are not likely to be walked on or pinched by items placed upon or against them, paying particular attention to cords at plugs, convenience receptacles, and the point where they exit from the appliance.
- Cleaning -The fixture should be cleaned only as recommended by the manufacturer. See page 25 for cleaning details.
- Heat -This fixture should be situated away from heat sources such as radiators, heat registers, stoves, or other appliances (including amplifiers) that produce heat.
- The fixture should be serviced by qualified service personnel when:
  - A. Objects have fallen, or liquid has been spilled into the appliance.
  - B. The appliance has been exposed to rain or water.
  - C. The appliance does not appear to operate normally or exhibits a marked change in performance.

**CAUTION: This unit like any wireless device is highly susceptible to static electricity. Static electricity can severely damage the unit. Before touching the antenna, please ground/discharge yourself.**

When installing the unit, the trussing or area of installation must be able to hold 10 times the weight without any deformation. When installing the unit must be secured with a secondary safety attachment, e.g. an appropriate safety cable. Never stand directly below the unit when mounting, removing, or servicing the unit.

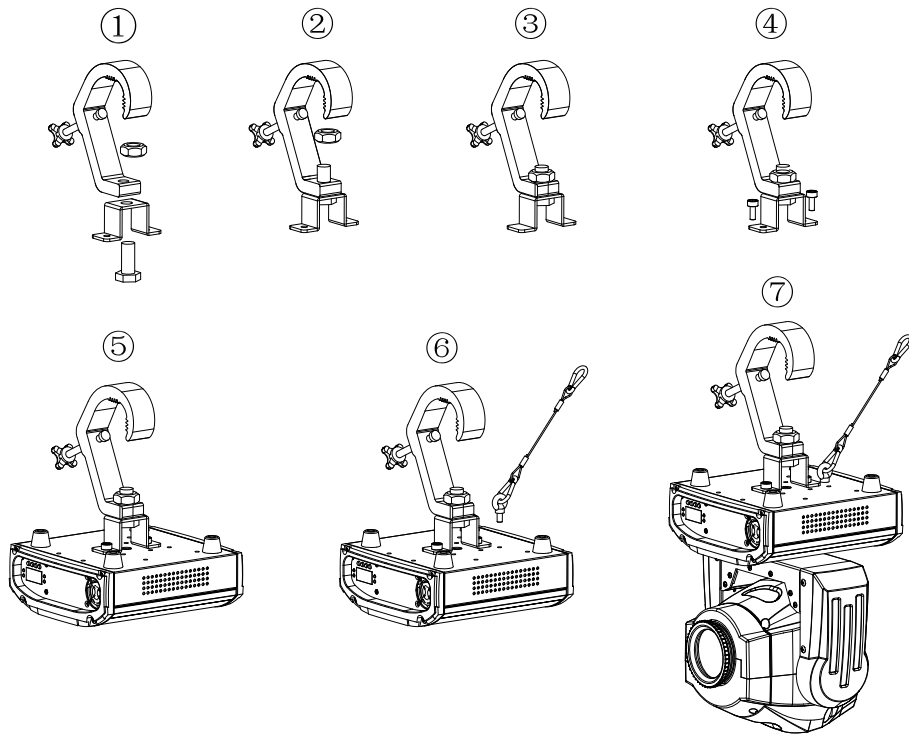
Overhead mounting requires extensive experience, including calculating working load limits, installation material being used, and periodic safety inspection of all installation material and unit. If you lack these qualifications, do not attempt the installation yourself.

These installaiton should be checked by a skilled person once a year.



The Inno Spot LED WiFly is fully operational in two different mounting positions, hanging upside-down from a ceiling or set on a flat level surface. To avoid internal damage to the unit, never mount the unit on its side as illustrated above. Be sure this fixture is kept at least 0.5m away from any flammable materials (decoration etc.). Always use and install the supplied safety cable as a safety measure to prevent accidental damage and/or injury in the event the clamp fails (see next page). Never use the carrying handles for secondary attachment.

**NOTICE:** The suitable environmental temperature for this lighting fixture is between -25° C to 45° C. Do not place this lighting fixture in an environment where the temperatures are under or above the temperatures stated above. This will allow the fixture to run at its best and help prolong the fixture life.



Screw one clamp via a M12 screw and nut onto the Omega holder. Insert the allen bolts into the respective holes on the bottom of the Inno Spot LED WiFly. Attach the safety-cable through the eyehole hook on the bottom of the base and over the trussing system or a safe fixation spot. Insert the end in the carabine and tighten the safety screw.

**Power Supply:** Before plugging your unit in, be sure the source voltage in your area matches the required voltage for your ADJ Inno Spot LED WiFly. The ADJ Inno Spot LED WiFly is available in a switchable 120v and 220v version. Because line voltage may vary from venue to venue, you should be sure your unit voltage matches the wall outlet voltage before attempting to operate you fixture. Also be sure to only use the included I.E.C. power cable supplied with the unit, this cable matches the voltage and current requirements of the unit.

**DMX-512:** DMX is short for Digital Multiplex. This is a universal protocol used by most lighting and controller manufactures as a form of communication between intelligent fixtures and controllers. A DMX controller sends DMX data instructions from the controller to the fixture. DMX data is sent as serial data that travels from fixture to fixture via the DATA “IN” and DATA “OUT” XLR terminals located on all DMX fixtures (most controllers only have a DATA “OUT” terminal).

**DMX Linking:** DMX is a language allowing all makes and models of different manufactures to be linked together and operate from a single controller, as long as all fixtures and the controller are DMX compliant. To ensure proper DMX data transmission, when using several DMX fixtures try to use the shortest cable path possible. The order in which fixtures are connected in a DMX line does not influence the DMX addressing. For example; a fixture assigned a DMX address of 1 may be placed anywhere in a DMX line, at the beginning, at the end, or anywhere in the middle. Therefore, the first fixture controlled by the controller could be the last fixture in the chain. When a fixture is assigned a DMX address of 1, the DMX controller knows to send DATA assigned to address 1 to that unit, no matter where it is located in the DMX chain.

**Data Cable (DMX Cable) Requirements (For DMX and Master/Slave Operation):** The Inno Spot LED WiFly can be controlled via DMX-512 protocol. The Inno Spot LED WiFly is a ten channel DMX unit. The DMX address is set electronically using the controls on the front panel of the unit. Your unit and your DMX controller require a approved DMX-512 110 Ohm Data cable for data input and



Figure 1

data output (Figure 1). We recommend Accu-Cable DMX cables. If you are making your own cables, be sure to use standard 110-120 Ohm shielded cable (This cable may be purchased at almost all professional sound and lighting stores). Your cables should be made with a male and female XLR connector on either end of the cable. Also remember that DMX cable must be daisy chained and cannot be split.

**Notice:** Be sure to follow figures two and three when making your own cables. Do not use the ground lug on the XLR connector. Do not connect the cable’s shield conductor to the ground lug or allow the shield conductor to come in contact with the XLR’s outer casing. Grounding the shield could cause a short circuit and erratic behavior.

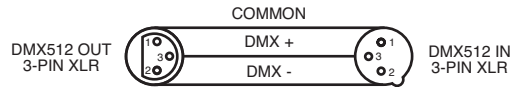


Figure 2

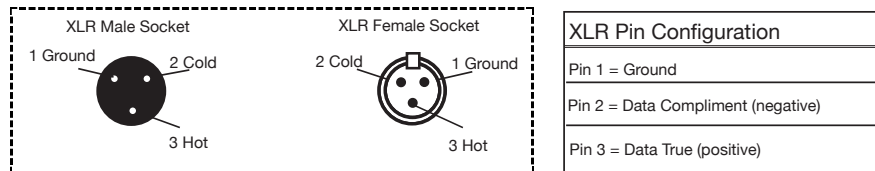


Figure 3

**Special Note: Line Termination.** When longer runs of cable are used, you may need to use a terminator on the last unit to avoid erratic behavior. A terminator is a 110-120 ohm 1/4 watt resistor which is connected between pins 2 and 3 of a male XLR connector (DATA + and DATA -). This unit is inserted in the female XLR connector of the last unit in your daisy chain to terminate the line. Using a cable terminator (ADJ part number Z-DMX/T) will decrease the possibilities of erratic behavior.

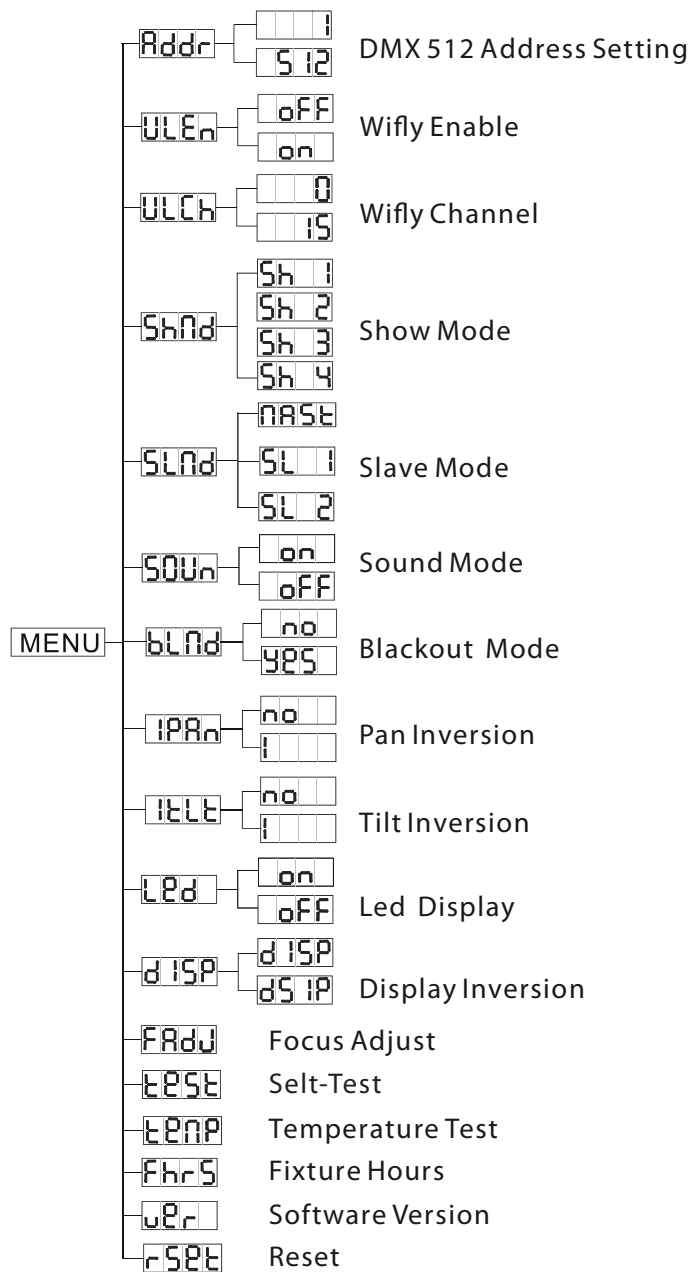


Termination reduces signal errors and avoids signal transmission problems and interference. It is always advisable to connect a DMX terminal, (Resistance 120 Ohm 1/4 W) between PIN 2 (DMX-) and PIN 3 (DMX +) of the last fixture.

Figure 4

**5-Pin XLR DMX Connectors.** Some manufactures use 5-pin DMX-512 data cables for DATA transmission in place of 3-pin. 5-pin DMX fixtures may be implemented in a 3-pin DMX line. When inserting standard 5-pin data cables in to a 3-pin line a cable adaptor must be used, these adaptors are readily available at most electric stores. The chart below details a proper cable conversion.

3-Pin XLR to 5-Pin XLR Conversion		
Conductor	3-Pin XLR Female (Out)	5-Pin XLR Male (In)
Ground/Shield	Pin 1	Pin 1
Data Compliment (- signal)	Pin 2	Pin 2
Data True (+ signal)	Pin 3	Pin 3
Not Used		Pin 4 - Do Not Use
Not Used		Pin 5 - Do Not Use



**System Menu:** When making adjustments you can press **ENTER** to confirm your setup then press and hold the **MENU** button for at least 3 seconds to lock it in, or you can wait 8 seconds for automatic setup. To exit without making any adjustments press the **MENU** button.

### ADDR - DMX Address Setting.

1. Press the either the MENU, UP, or DOWN buttons until “**ADDR**” is displayed, press ENTER.
2. The current address will now be displayed and flashing. Press the UP or DOWN buttons to find your desired address. Press ENTER to set your desired DMX address.

### ULEN - This activate WiFly mode and deactivate it.

1. Press the MENU button until “**ULEN**” is displayed, press ENTER.
2. Either “Off” or “On” will be displayed. Select “On” to activate and “Off” to deactivate.

### ULCH - This will let you select and set your WiFly address.

1. Press the MENU button until “**ULCH**” is displayed, press ENTER.
2. “**X**” will now be displayed, “X” representing a number between 0-15. Press the UP or DOWN buttons to find your WiFly address.
3. When you have found your desired WiFly address press ENTER to confirm and exit.

### SHND - This will let you choose one of the four pre-programmed shows. See show descriptions below.

1. Press the either the MENU button until “**SHND**” is displayed, press ENTER.

ENTER. Either “SH 1”, “SH 2”, “SH 3” or “SH 4” will be displayed.

2. Press the UP or DOWN buttons to find you desired show and then press ENTER to confirm and exit.

#### **SHOWS:**

**Show 1** - For fixtures placed on the floor, the tilt movement angle is 210°

**Show 2** - For fixtures fixed to the ceiling or truss, the tilt movement angle is 90°.

**Show 3** - For fixtures placed on a table or stage. The beam is projected at the audience’s direction; i.e. in front of the stage. Pan movement angle (left to right to left) is 160°. Tilt movement angle is 90°.

**Show 4** - For fixtures fixed to the ceiling or truss. The beam is projected at the audience’s direction; i.e. in front of the stage. Pan movement angle (left to right to left) is 160°. Tilt movement angle is 90°.

### **SLND - This will let you set the unit as a slave in a master/slave configuration.**

1. Press the MENU button until “SLND” is displayed, press ENTER. Either “SL 1” or “SL 2” will be displayed.

2. Press the UP or DOWN buttons until your desired setting is displayed, press ENTER to confirm.

**NOTE:** In a Master/Slave configuration you can set one fixture to Master and then set the next fixture to “SL 2”, the fixtures will now have contrast movement to each other.

### **SOUN - Sound Active mode.**

1. Press the MENU button until “SOUN” is displayed, press ENTER.

2. The display will show either “ON” or “OFF”. Press the UP or DOWN buttons to select “ON” to activate sound active mode, or “OFF” to deactivate sound active mode.

3. Press ENTER to confirm.

### **BLND - Blackout or Stand by mode.**

1. Press the MENU button until “BLND” is displayed, press ENTER. Either Yes or No will be displayed.

2. To activate Blackout tap the UP or DOWN buttons until “Yes” is displayed, press ENTER to confirm. The fixture will now be in Blackout mode. To deactivate Blackout mode, select “No” and press Enter.

### **I PAN - Pan Inversion**

1. Press the MENU button until “I PAN” is displayed, press ENTER. Either NO or 1 will be displayed.

2. To activate the Pan inversion press the UP or DOWN buttons until I is displayed, press ENTER to confirm. To deactivate Pan inversion, select No and press Enter.

### **I TLT - Tilt Inversion**

1. Press the MENU button until “I TLT” is displayed, press ENTER. Either NO or 1 will be displayed.

2. To activate the Tilt inversion press the UP or DOWN buttons until I is displayed, press ENTER to confirm. To deactivate Tilt inversion, select No and press Enter.

### **LED - With this function you can have the LED display turn off after 10 seconds.**

1. Press the MENU button until “LED” is displayed, press ENTER.

2. The display will show either “ON” or “OFF”. Press the UP or DOWN buttons to select “ON” to keep the LED display on at all times, or “OFF” to switch to have the LED display switch off after 10 seconds.

3. Press ENTER to confirm. To make you LED display reappear again press any button.

**DISP** - This function will reverse the display 180°.

1. Press the MENU button until “**DISP**” is displayed, press ENTER.
2. Press ENTER to “flip” the display. Press ENTER to “flip” it again. Press ENTER when you have made your desired setup.

**FADJ** - This function will allow you to focus the lens for a clear LED output.

1. Press the MENU button until “**FADJ**” is displayed, press ENTER. The fixture will turn a different way each time the ENTER button is pressed.
2. With the spot pointed at a flat wall or surface, at the distance it will be set up, you can turn the lens to adjust the clarity. Press MENU to exit.

**TEST** - This function will run a self test program. The test program will test pan/tilt movement and colors.

1. Press the MENU button until “**TEST**” is displayed, press ENTER.
2. The fixture will now run a self test.

**TEMP** - With this function you can check the temperature of the fixture.

1. Press the MENU button until “**TEMP**” is displayed, press ENTER.
2. The temperature of the fixture will now be displayed. Press MENU to exit.

**FHRS** - With this function you can display the running time of the unit.

1. Press the MENU button until “**FHRS**” is displayed, press ENTER.
2. The running time of the fixture will now be displayed. Press MENU to exit.

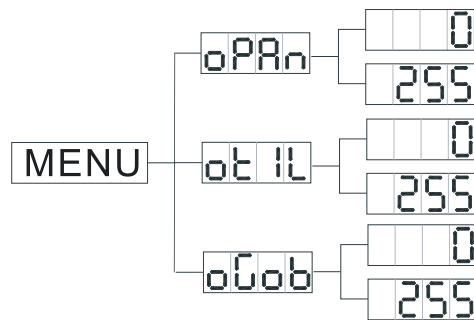
**VER** - With this function you can display the version software of the unit.

1. Press the MENU button until “**VER**” is displayed, press ENTER.
2. The software version will now be displayed. Press MENU to exit.

**RSET** - Use this function to reset the unit.

1. Press the MENU button until “**RSET**” is displayed, press ENTER.
2. The fixture will now reset.





To enter the home adjustment submenu, press the ENTER button for at least 5 seconds. In this submenu you are able to adjust the original position of the gobo wheel, tilt (Tilt home position) and pan (Pan home position).

## OPAN - Adjustment of the tilt home position.

1. Press the ENTER button for at least 5 seconds, then press the UP or DOWN buttons so that “**OPAN**” is displayed, press ENTER.
2. Use the UP and DOWN buttons to make your adjustments, and then press ENTER to confirm. Press the MENU button for one second to exit.

## OTIL - Adjustment of the tilt home position.

1. Press the ENTER button for at least 5 seconds, then press the UP or DOWN buttons so that “**OTIL**” is displayed, press ENTER.
2. Use the UP and DOWN buttons to make your adjustments, and then press ENTER to confirm. Press the MENU button for one second to exit.

## OGOB - Adjustment of the gobo wheel.

1. Press the ENTER button for at least 5 seconds, then press the UP or DOWN buttons so that “**OGOB**” is displayed, press ENTER.
2. Use the UP and DOWN buttons to make your adjustments, and then press ENTER to confirm. Press the MENU button for one second to exit.

**Operating Modes:** The Inno Spot LED WiFly can operate in three different modes. In each mode you can run the fixture as a stand alone fixture or in a master/slave configuration. This next section will detail the differences in the operating modes.

### • **Sound Active mode** -

The fixture will react to sound, chasing through the built-in programs.

### • **Show mode** -

The fixture will run one of four shows that you choose.

### • **DMX control mode** -

This function will allow you to control each individual fixtures traits with a standard DMX-512 controller such as the Elation® Show Designer.™

**Master-Slave Operation** This function will allow you to link up to 16 units together and operate without a controller. The units will be sound activated. In Master-Slave operation one unit will act as the controlling unit and the others will react to the controlling units programs. Any unit can act as a Master or as a Slave.

1. Using approved DMX data cables, daisy chain your units together via the XLR connector on the rear of the units. Remember the Male XLR connector is the input and the Female XLR connector is the output. The first unit in the chain (master) will use the female XLR connector only - The last unit in the chain will use the male XLR connector only. For longer cable runs we suggest a terminator at the last fixture.
2. On the Master unit find your desired show and set that show by pressing the ENTER button.
3. On the slave units press the MENU button until “**SLND**” is displayed, and Press ENTER. Choose either “**SL 1**” or “**SL 2**” and press ENTER. See page 12 for more info.
4. The slave units will now follow the Master unit.

**Universal DMX Control:** This function allows you to use a Elation® universal DMX-512 controller to control the chases and patterns, dimmer and strobe. A DMX controller allows you to create unique programs tailored to your individual needs.

1. The Inno Spot LED WiFly is a ten DMX channel DMX fixture. See pages 21-22 for detailed description of the DMX values and traits.

## Inno Spot LED WiFly

## Operation

2. To control your fixture in DMX mode, follow the set-up procedures on pages 5-7 as well as the set-up specifications that are included with your DMX controller.
3. Use the controller's faders to control the various DMX fixture traits.
4. This will allow you to create your own programs.
5. Follow the instruction on page 11 to set the DMX address.
6. For longer cable runs (more than a 100 feet) use a terminator on the last fixture.
7. For help operating in DMX mode consult the manual included with your DMX controller.

**Sound Active Mode:** This mode allows either single unit or several units linked together, to run to the beat of the music.

1. Press the MENU button until "**SOUN**" is displayed, and press ENTER. Tap the UP or DOWN buttons so that "**ON**" is displayed and press ENTER.

**Show Mode:** This mode allows either a single unit or several units linked together, to run one of four shows that you choose. See pages 11-12 for more information.

1. Press the MENU button until "**SHND**" is displayed, and press ENTER.
2. Press the UP or DOWN buttons until you find your desired show, and press ENTER.

## Inno Spot LED WiFly

## UC3 Control

The optional *UC3 Controller* (not included) may be used to control different functions including blackout.

Stand By	Blackout the unit		
Function	1. Sync. Strobe 2. Async strobe 3. Sound Strobe	Show 1-4	1. Select Color 2. Select Gobo
Mode	Sound (LED OFF)	Show (LED Slow Blinking)	LED ON

## Inno Spot LED WiFly

## WiFly Master-Slave Set Up

This feature will let you link units to run in a master-slave mode without the use of XLR cables.

1. Follow the instructions on page 11 to set the Wireless address. The addresses on each fixture must be the same.
2. After you have set the WiFly address, select your master unit and set your desired operating mode.
3. Put the antenna in either a up position or down position then turn the WiFly on. See page 11 to activate WiFly.

**Note:** All antennas must be in the same position, they must either be all up or all down, but never at an angle.

4. For the Slave units, put the unit in Slave mode. See page 12. Then activate WiFly.
5. If everything is set up correctly, the Master units signal strength will be displayed in the WiFly signal status window located on the rear of the unit.

**NOTE: If they do not sync up master-slave, switch the Master fixtures power off then on again.**

**DMX Mode:**

**Your DMX controller must be connected to a ADJ WiFly TransCeiver (sold separately).** Operating through a DMX controller gives the user the freedom to create their own programs tailored to their own individual needs. You are able to communicate up to 400 feet (open line of sight). The Inno Spot LED WiFly has 10 DMX channels. See pages 21-22 for the DMX traits.

1. This function will allow you to control each individual fixture's traits with a standard DMX 512 controller.
2. To run your fixture in DMX mode press the MODE button until "Addr" is displayed, and press ENTER. The current address that is set will be displayed Use the UP or DOWN buttons to select your desired DMX address, then press ENTER.
3. After you have set your DMX address you need to set the WiFly address. Follow the instructions on page 11 to set the Wireless address. The address must match the address set on the WiFly Transceiver.
4. After choosing your WiFly address, you need to activate WiFly mode. Follow the instructions on page 11 to activate the WiFly Mode.
5. Apply power to the ADJ WiFly Transceiver. The fixture must be set up to the same address as the fixture first before you apply power to WiFly TransCeiver.
6. If everything is set up properly and the fixture is receiving a Wireless signal, the strength of the WiFly signal will be displayed in the WiFly signal status window located on the rear of the unit.

Channel	Value	Function
1	0 - 255	540° PAN
2	0 - 255	270° TILT
3	0 - 14 15 - 28 29 - 42 43 - 56 57 - 70 71 - 84 85 - 98 99 - 112 113 - 127 128 - 254 255	<u>COLORS</u> WHITE RED BLUE GREEN YELLOW PINK LIGHT BLUE LIGHT GREEN LIGHT YELLOW RAINBOW EFFECT SLOW - FAST SOUND ACTIVE
4	0 - 9 10 - 18 19 - 27 28 - 36 37 - 46 47 - 55 56 - 63 64 - 73 74 - 82 83 - 91 92 - 100 101 - 110 111 - 119 120 - 127 128 - 254 255	<u>GOBO WHEEL</u> OPEN GOBO 1 GOBO 2 GOBO 3 GOBO 4 GOBO 5 GOBO 6 OPEN SHAKE GOBO 1 SHAKE GOBO 2 SHAKE GOBO 3 SHAKE GOBO 4 SHAKE GOBO 5 SHAKE GOBO 6 SHAKE GOBO WHEEL ROTATION SLOW - FAST SOUND ACTIVE
5	0 - 9 10 - 120 121 - 134 135 - 245 246 - 255	GOBO ROTATION STOP CLOCKWISE FAST - SLOW STOP COUNTER-CLOCKWISE SLOW - FAST STOP

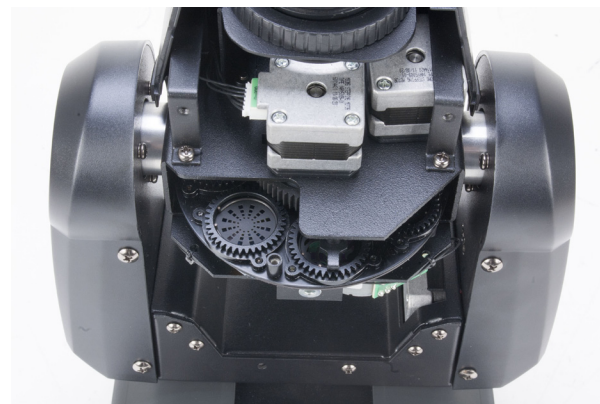
Inno Spot LED WiFly		DMX Traits
Channel	Value	Function
6	0 - 7	<u>SHUTTER/STROBE</u> BLACKOUT
	8 - 15	SHUTTER OPEN
	16 - 131	STROBING SLOW - FAST
	132 - 139	SHUTTER OPEN
	140 - 181	FAST CLOSE - SLOW OPEN
	182 - 189	SHUTTER OPEN
	190 - 231	FAST OPEN - SLOW CLOSE
	232 - 239	SHUTTER OPEN
	240 - 247	RANDOM STROBE
	248 - 255	SHUTTER OPEN
7	0 - 255	DIMMER 0% - 100%
8	0 - 7	<u>MOVING HEAD MOVEMENT</u> NO FUNCTION
	8 - 28	MOVEMENT 1
	29 - 49	MOVEMENT 2
	50 - 70	MOVEMENT 3
	71 - 91	MOVEMENT 4
	92 - 112	MOVEMENT 5
	113 - 133	MOVEMENT 6
	134 - 154	MOVEMENT 7
	155 - 175	MOVEMENT 8
	176 - 196	MOVEMENT 9
	197 - 217	MOVEMENT 10
	218 - 238	MOVEMENT 11
	239 - 255	MOVEMENT 12
9	0 - 255	MOVEMENT SPEED FAST - SLOW
10	0 - 6	<u>PRISM EFFECT</u> NO EFFECT
	7 - 255	PRISM EFFECT

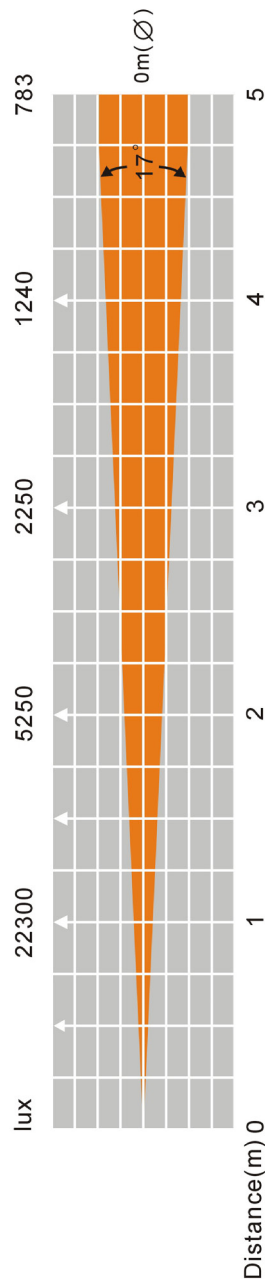
Inno Spot LED WiFly	Gobo Replacement
---------------------	------------------

This unit comes with interchangeable gobos. When changing the gobos please be very careful. Follow the instructions below, and see the figure pictures on the next page.

**Caution!** *Never open the unit when in use. Always disconnect the main power before attempting to change the gobos.*

1. To change the gobo, you must remove the top half of the moving head. The top half of the moving head does not have the lens attached to it.
2. Unscrew the 4 phillips screws that secure the top half of the head. Remove the top half of the head.
3. When you remove the shell you will be able to access the gobo wheel (see picture below). Rotate the head so that the lens is aimed up. Turn the gobo wheel with your hand until you find the gobo you would like to change.
4. Using a pair of needle nose pliers, grab the fixture ring that holds the gobo in place and remove the ring.
5. Once the ring is removed, rotate the head upside down so that the gobo falls into your hand.
6. Carefully insert your new gobo and insert the fixture ring.
7. Reassemble the unit.





Locate and remove the unit’s power cord. Once the cord has been removed locate the fuse holder located inside the power socket. Insert a flat-head screw driver into the power socket and gently pry out the fuse holder. Remove the bad fuse and replace with a new one. The fuse holder has a built-in socket for a spare fuse be sure not to confuse the spare fuse with active fuse.

Due to fog residue, smoke, and dust cleaning the internal and external optical lenses and mirror should be carried out periodically to optimize light output. Cleaning frequency depends on the environment in which the fixture operates (i.e. smoke, fog residue, dust, dew). In heavy club use we recommend cleaning on a monthly basis. Periodic cleaning will ensure longevity, and crisp output.

1. Use normal glass cleaner and a soft cloth to wipe down the outside casing.
2. Use a brush to wipe down the cooling vents and fan grill.
3. Clean the external optics with glass cleaner and a soft cloth every 20 days.
4. Clean the internal optics with glass cleaner and a soft cloth every 30-60 days.
5. Always be sure to dry all parts completely before plugging the unit back in.

**Trouble Shooting:** Listed below are a few common problems that you may encounter, with solutions.

**No light output from the unit;**

1. Be sure you have connected your unit into a standard 120v wall outlet. Be sure to voltage selector switch in the correct position.
2. Be sure the external fuse has not blown. The fuse is located on the rear panel of the unit.
3. Be sure the fuse holder is completely and properly seated.

**Unit does not respond to sound;**

1. Low frequencies (bass) should cause the unit to react to sound. Tapping on the microphone, quiet or high pitched sounds may not activate the unit.

## Inno Spot LED WiFly

## Warranty

### MANUFACTURER'S LIMITED WARRANTY

- A. ADJ Products, LLC hereby warrants, to the original purchaser, ADJ Products, LLC products to be free of manufacturing defects in material and workmanship for a prescribed period from the date of purchase (see specific warranty period on reverse). This warranty shall be valid only if the product is purchased within the United States of America, including possessions and territories. It is the owner's responsibility to establish the date and place of purchase by acceptable evidence, at the time service is sought.
- B. **For warranty service you must obtain a Return Authorization number (RA#) before sending back the product—please contact ADJ Products, LLC Service Department at 800-322-6337.** Send the product only to the ADJ Products, LLC factory. All shipping charges must be pre-paid. If the requested repairs or service (including parts replacement) are within the terms of this warranty, ADJ Products, LLC will pay return shipping charges only to a designated point within the United States. If the entire instrument is sent, it must be shipped in its original package. No accessories should be shipped with the product. If any accessories are shipped with the product, ADJ Products, LLC shall have no liability whatsoever for loss of or damage to any such accessories, nor for the safe return thereof.
- C. This warranty is void if the serial number has been altered or removed; if the product is modified in any manner which ADJ Products, LLC concludes, after inspection, affects the reliability of the product; if the product has been repaired or serviced by anyone other than the ADJ Products, LLC factory unless prior written authorization was issued to purchaser by ADJ Products, LLC; if the product is damaged because not properly maintained as set forth in the instruction manual.
- D. This is not a service contract, and this warranty does not include maintenance, cleaning or periodic check up. During the period specified above, ADJ Products, LLC will replace defective parts at its expense with new or refurbished parts, and will absorb all expenses for warranty service and repair labor by reason of defects in material or workmanship. The sole responsibility of ADJ Products, LLC under this warranty shall be limited to the repair of the product, or replacement thereof, including parts, at the sole discretion of ADJ Products, LLC. All products covered by this warranty were manufactured after August 15, 2012, and bear indentifying marks to that effect.
- E. ADJ Products, LLC reserves the right to make changes in design and/or improvements upon its products without any obligation to include these changes in any products theretofore manufactured.

No warranty, whether expressed or implied, is given or made with respect to any accessory supplied with products described above. Except to the extent prohibited by applicable law, all implied warranties made by ADJ Products, LLC in connection with this product, including warranties of merchantability or fitness, are limited in duration to the warranty period set forth above. And no warranties, whether expressed or implied, including warranties of merchantability or fitness, shall apply to this product after said period has expired. The consumer's and/or Dealer's sole remedy shall be such repair or replacement as is expressly provided above; and under no circumstances shall ADJ Products, LLC be liable for any loss or damage, direct or consequential, arising out of the use of, or inability to use, this product.

This warranty is the only written warranty applicable to ADJ Products, LLC Products and supersedes all prior warranties and written descriptions of warranty terms and conditions heretofore published.

### MANUFACTURER'S LIMITED WARRANTY PERIODS:

- **Lighting Products = 1-year (365 days) Limited Warranty** (Such as: Special Effect Lighting, Intelligent Lighting, UV lighting, Strobes, Fog Machines, Bubble Machines, Mirror Balls, Par Cans, Trussing, Lighting Stands etc. excluding LED and lamps)
- **Laser Products = 90-Day Limited Warranty**
- **L.E.D. Products = 2-year (730 days) Limited Warranty** (excluding motors, PCB boards, and power supplies, which have a 1-year (365 day Limited Warranty) and batteries which have a 180 day limited warranty).

ADJ Products, LLC - [www.adj.com](http://www.adj.com) - Inno Spot LED WiFly Instruction Manual Page 27

## Inno Spot LED WiFly

## Specifications

<b>Model:</b>	<b>Inno Spot LED WiFly</b>
<b>Voltage*:</b>	120v/60Hz or 230v/50Hz
<b>LED:</b>	1 x 50W LED
<b>Power Consumption:</b>	99W
<b>Dimensions:</b>	8.75"(L) x 8"(W) x 12.75"(H) 221mm x 202mm x 320mm
<b>Beam Angle:</b>	17 Degree
<b>Colors:</b>	Multiple
<b>Weight:</b>	15 Lbs. / 6.8 kgs.
<b>Fuse:</b>	2 Amp
<b>Duty Cycle:</b>	None
<b>DMX:</b>	10 DMX Channels
<b>Colors:</b>	8 + White
<b>Gobos:</b>	6 + Spot 23.8mm/0.2mm thickness (19mm viewable)
<b>Sound Active:</b>	Yes
<b>Working Position:</b>	Any Safe, Secure Position
<b>Warranty:</b>	2 Year (730 days)

\*Voltage is user selectable

**Please Note:** Specifications and improvements in the design of this unit and this manual are subject to change without any prior written notice.

ADJ Products, LLC  
6122 S. Eastern Ave. Los Angeles, CA 90040 USA  
Tel: 323-582-2650 / Fax: 323-725-6100  
Web: [www.adj.com](http://www.adj.com) / E-mail: [info@americandj.com](mailto:info@americandj.com)

A.D.J. Supply Europe B.V.  
Junostraat 2  
6468 EW Kerkrade  
Netherlands

[service@adjgroup.eu](mailto:service@adjgroup.eu) / [www.adj.eu](http://www.adj.eu)

Tel: +31 45 546 85 00 / Fax: +31 45 546 85 99

### Follow Us On:



[facebook.com/americandj](https://facebook.com/americandj)  
[twitter.com/americandj](https://twitter.com/americandj)  
[youtube.com/adjlighting](https://youtube.com/adjlighting)