

19.4" Modero® X Series Panoramic Tabletop Touch Panel

MXT-1901-PAN (FG5968-41)



Overview

The most elegant interface designed specifically for dedicated room control has been significantly enhanced to include a new G5 Graphic Engine to provide even faster and smoother animations and transitions, and we quadrupled the processing power with a new Quad Core Processor. The Modero X Series Touch Panels provide several industry firsts including a beautiful, panoramic capacitive multi-touch screen that provides users access to multiple applications with minimal navigation. It is hardware-ready for support of Near Field Communication™ (NFC) Technology to allow personalization of the user experience and productivity enhancing capabilities through integration with NFC capable personal devices. The distinctive, low-profile design is engineered to sit perfectly on a table without obstructing views. Modero X Series is the control surface that simply delivers more.

Common Applications

The MXT-1901-PAN is ideal for boardrooms, conference rooms or auditoriums where a panoramic control surface is needed to provide access to multiple functions simultaneously while remaining elegantly unobtrusive. In residences, it is perfect for kitchens, home theaters or home offices where the panoramic control surface can be used to manage systems throughout the house.

Features

- **G5 Graphics Engine and Quad Core Processing** – The most powerful processing in the industry delivers smooth gesturing, swiping, dynamic reordering, enhanced animation with transitions all at higher speeds for an experience any user will enjoy

- **Simplified Enterprise Touch Panel Updates** – Deploy and update touch panel files from a network URL for simplified company-wide updates
- **Built-in Web Browser and Document Viewers** – Conveniently simplifies accessing and presenting documents during meetings
- **Panoramic Control Surface** – Combined with the new PanTastic UI, the panoramic touch panels take the user experience to a whole new level with an impressive control surface to perform activities much in the same way you use a computer – multi-tasking with dedicated spaces
- **Latest Communication Technologies** – HD video chat and conferencing using integrated camera (tabletop and landscape versions only) and supports Near Field Communication (NFC) – short-range wireless technologies that deliver peer-to-peer communication by 'sharing, pairing and transaction' between RF devices like exchanging data/identities
- **Enhanced Usability** – External phone connections via Bluetooth or USB and HD video streaming
- **Perfect From Any Angle** – Includes In-Plane Switching (IPS), the latest technology in popular tablet/mobile devices that delivers the widest viewing angles and the most accurate color reproduction on the market

Dealer Benefits

- **Attract More Corporate Customers** - The elegant design and simple beauty of the Modero X Series will create demand from both new and current customers
- **Address Unique Requirements** – With a panoramic profile, the Modero X Series provides dealers with a solution for unique uses where multiple applications must be viewed simultaneously
- **Differentiate Yourself** – The Modero X Series offers design and technology features unmatched in the industry

Customer Benefits

- **Multi-Task Capability** – The contemporary design provides a large control surface, which allows multiple views for different activities such as presenting, controlling and previewing
- **Simple to Use Interfaces** – The capacitive multi-touch screen combined with intuitive user-interfaces makes it easy for anyone to operate sophisticated meeting room equipment
- **Sleek, Low-Profile Design** - The Modero X Series is engineered to sit perfectly on a table without obstructing views

Specifications

TOUCH SCREEN DISPLAY	
Display Type	TFT Active Matrix Color LCD with In-plane Switching Technology (IPS)
Display Size (WH)	Landscape: 20.4" x 6.9" (519 mm x 175 mm), 20.4" (518 mm) diagonal
Viewable Area (WH)	Landscape: 18.7" x 5.9" (475 mm x 151 mm), 19.4" (493 mm) diagonal
Resolution (WH)	Landscape: 1920x530
Aspect Ratio (WH)	Landscape: 18:5
Brightness	350 cd/m ²
Contrast Ratio	1000:1
Color Depth	16.7M colors
Illumination	LED
Touch Overlay	Projected Capacitive, multi-touch support, 3 simultaneous max
Viewing Angle	Vertical ± 89°, Horizontal ± 89°

MEMORY	
SDRAM	2 GB
Flash	16 GB
Maximum Project Size	12 GB flash, available for apps and touch panel files

COMMUNICATIONS	
ETHERNET	10/100 port, RJ-45 connector. Supported IP and IP-Based Protocols: UCP, TCP, ICMP, ICSP, IGMP, DHCP, Telnet, FTP, DNS, RFB (for VNC), HTTP
USB	(3) USB host 2.0, Type A ports: Firmware upgrade, Touch Panel File Transfer, JPEG Image Viewer, HID Peripherals, USB Audio Output for Headsets
Near Field Communication (NFC)	Supports standards ISO/IEC 15693, ISO/IEC 14443A, ISO/IEC 14443B; Unique Identifier (UID), typ range = .25", max = .5"
Bluetooth*	<p>Mouse/Keyboard: HID Profile v1.1, requires MXA-BT Bluetooth Adapter (FG5968-19)</p> <p>Handset: Hands Free Profile v1.5, Headset Profile v1.2, requires MXA-BT Bluetooth Adapter (FG5968-19) and MXA-HST Bluetooth Handset (FG5968-17)</p>

VIDEO	
Supported Video Codecs	<p>MPEG2-TS: MPEG-2 Main Profile @High Level up to 720p at 25 fps (decode only)</p> <p>MPEG-2-TS: H.264 High Profile @Layer 4, AAC-LC up to 720p at 25 fps (encode/decode)</p> <p>MJPEG up to 720p at 25 fps (decode only)</p>
Supported Video Transport Streams	MPEG-TS for MPEG2 and H.264; HTTP for MJPEG
Max Number of Active Video Streams	One decode plus one encode
Video Conferencing	Panel-to-panel and video chat*

AUDIO	
Microphone	-42dB +/- 3dB sensitivity FET microphone
Speakers	4 ohm, 2 Watt, 300Hz cutoff frequency
Supported Audio Codecs	<p>MP2 Layer I and II, MP3 (8 kHz, 11.025 kHz, 12 kHz, 16 kHz, 22.05 kHz, 24 kHz, 32 kHz, 44.1 kHz, 48 kHz)</p> <p>AAC-LC (8 kHz, 96 kHz)</p> <p>G.711 with μLaw (VoIP encode/decode at 8kHz)</p>
File Formats	WAV, MP3 (as part of touch panel file only - no USB storage)
Audio Output	USB Audio USB port (head/hand set support)*
Intercom*	Full Duplex VoIP, SIP v2.0

GRAPHICS ENGINE	
AMX G5	G5 enhanced feature set supporting multi-touch and gestures, scrolling, transitions, applications - See TPD5 Operations Guide for more information

EMBEDDED APPLICATIONS	
Viewer Applications*	PDF, JPEG, BMP, PNG, TIFF, GIF
Remote Management	VNC Server
Video Conferencing	Skype
Audio Conferencing	Audio (full duplex intercom*)

FRONT PANEL COMPONENTS	
Light Sensor	Photosensitive light detector for automatic adjustment of the panel brightness
Proximity Detector	Max range = ~3', typ range = ~1', FOV = ~10 degrees
Camera	HD 720p camera for video conferencing/video chat support
LED Indicators	Camera active indicator
Sleep Button	Sleep button to activate sleep mode and powering off. Also provides access to setup pages (can be disabled)

CONNECTIONS	
Ethernet	10/100 port, RJ-45 connector
USB	(3) USB host 2.0, Type A ports (1) Micro USB device port (currently not in use)
Power	2-pin, locking 3.5mm Phoenix connector

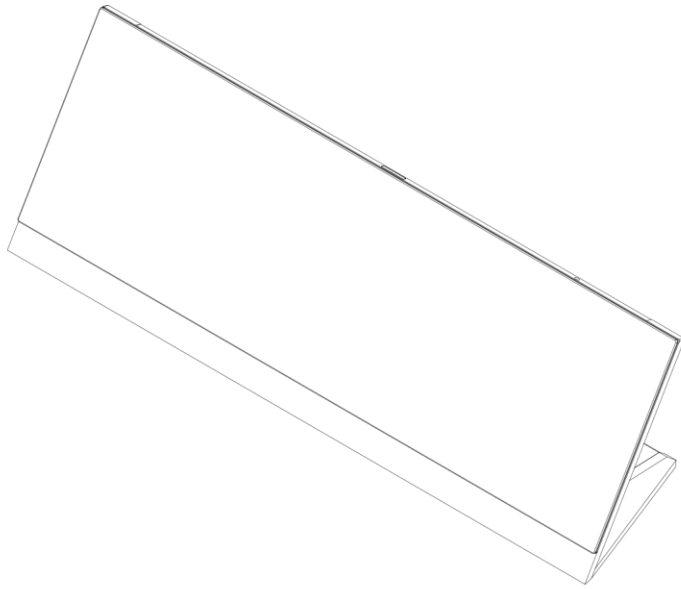
ENVIRONMENTAL	
Temperature (Operating)	32° F to 104° F (0° C to 40° C)
Temperature (Storage)	4° F to 140° F (-20° C to 60° C)
Humidity (Operating)	20% to 85% RH
Humidity (Storage)	5% to 85% RH
Power ("Heat") Dissipation	On: 119.4 BTU/hr Standby: 23.9 BTU/hr

GENERAL	
Dimensions (HWD)	7" x 20 3/8" x 5 5/16" (177 mm x 519 mm x 135 mm)
Weight	9.5 lbs (4.31 Kg)
Power Consumption	Full-On: 35 W (12 VDC, 2.9 A) Standby: 7 W (12 VDC, 0.6 A)
Start-Up Inrush Current	60 A for 80 µsec
External Power Supply Required	Requires one of these AMX power sources (not included): PSR4.4 Power Supply, 4.4 A, 3.5 mm Phoenix with Retention Screws (FG423-46) PSN4.4 Power Supply, 4.4 A, 3.5 mm Phoenix, 13.5 VDC (FG423-45) MXA-MPL Modero X Series Multi Preview Live (FG5968-10) MXA-MP Modero X Series Multi Preview (FG5968-20)
Certifications	FCC Part 15 Class B C-Tick CISPR 22 Class B CE EN 55022 Class B and EN 55024 CB Scheme IEC 60950-1 IC IEC/EN-60950 UL 60950-1 RoHS/WEEE compliant
Included Accessories	<ul style="list-style-type: none"> • Locking 2-pin Phoenix mate (41-0002-SA) • MXA-USB-C, USB Port Cover Kit, Modero X Series Touch Panel (FG5968-18) • HPG-10-10K, 3/4" Mini-Grommet (FG570-01) • MXA-CLK, Modero X Series Cleaning Kit (FG5968-16)
Optional Accessories	<ul style="list-style-type: none"> • MXA-MP, Modero X Series Multi Preview (FG5968-20)

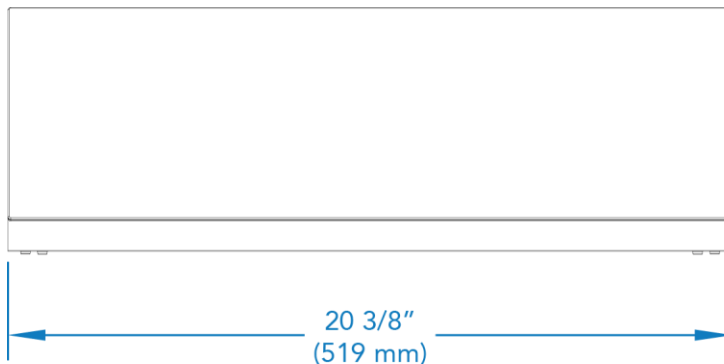
	<ul style="list-style-type: none">•MXA-MPL, Modero X Series Multi Preview Live (FG5968-10)•PSR4.4 Power Supply, 4.4 A, 3.5 mm Phoenix with Retention Screws (FG423-46)•Power supply, 4.4A, 3.5mm Phoenix, 13.5VDC (FG423-45)•HPG-10-10K, Mini-Grommet, 10-Pack (FG570-01-10K)•MXA-BT Bluetooth USB Adapter for Modero X Series (FG5968-19)•MXA-HST, Bluetooth Handset for Modero X Series Touch Panels (FG5968-17)•MXA-CLK, Modero X Series Cleaning Kit (FG5968-16)•MXA-USB-C, USB Port Covers for the Modero X Series Touch Panels (FG5968-18)
--	---

*This feature will be available upon release of a future firmware update

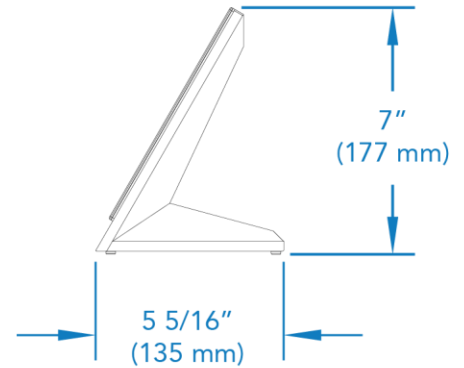
For a more detailed pictorial drawing please visit: <http://www.amx.com/products/MXT-1901-PAN.asp>



MXT-1901-PAN
(Isometric View)



MXT-1901-PAN
(Front View)



MXT-1901-PAN
(Right View)

About AMX

AMX hardware and software solutions simplify the implementation, maintenance, and use of technology to create effective environments. With the increasing number of technologies and operating platforms at work and home, AMX solves the complexity of managing this technology with reliable, consistent and scalable systems. Our award-winning products span control and automation, system-wide switching and audio/video signal distribution, digital signage and technology management. They are implemented worldwide in conference rooms, homes, classrooms, network operation / command centers, hotels, entertainment venues, broadcast facilities, and more. ©2014 AMX. All rights reserved. Specifications subject to change. Revised 19-March-2014.

AMX.com | 800.222.0193 | 469.624.8000 | +1.469.624.7400 | fax 469.624.7153