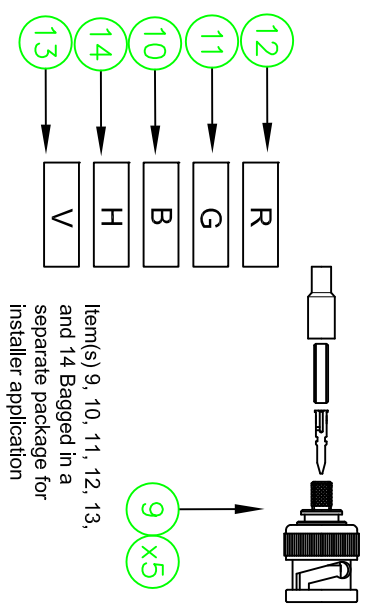
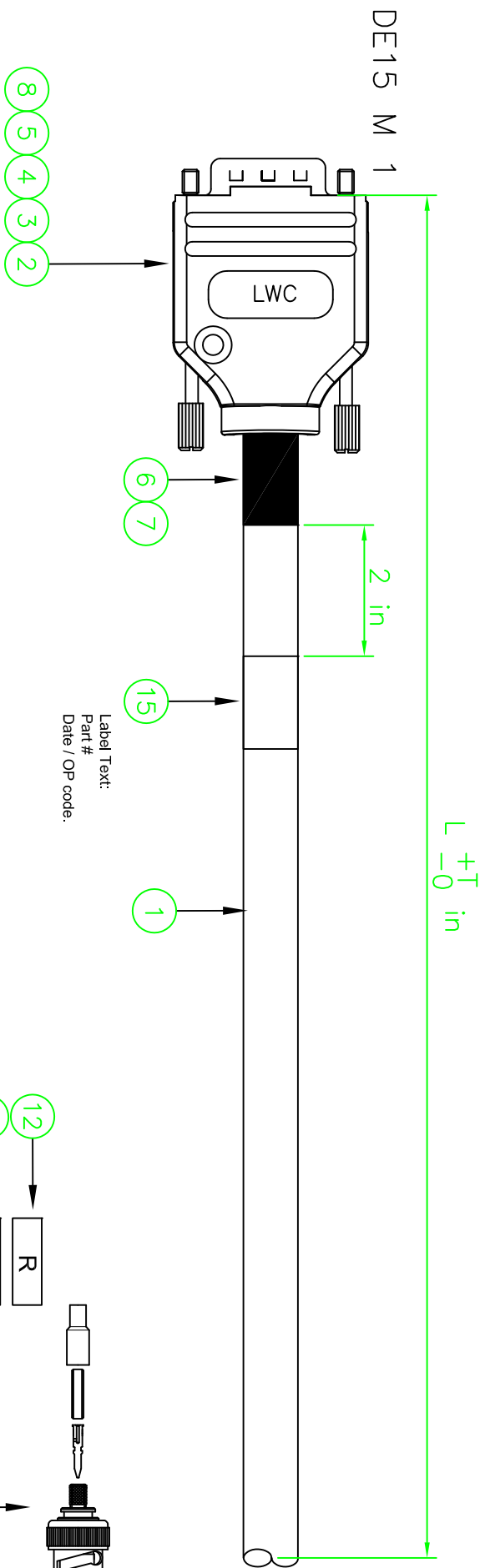


REV	DESCRIPTION	DATE
0	ISSUE	04/01/11



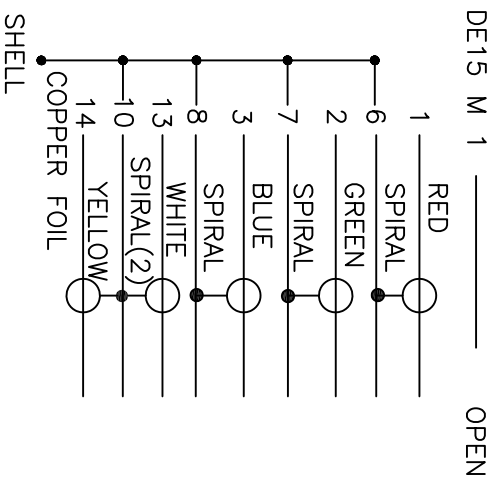
Standard Lengths Shown,
Custom lengths upon request

D-INSTALLKIT-CRP-100	1200	6
D-INSTALLKIT-CRP-75	900	6
D-INSTALLKIT-CRP-50	600	6
D-INSTALLKIT-CRP-35	420	4
D-INSTALLKIT-CRP-25	300	3
P/N.	L(in)	T(in)

LIBERTY AV SOLUTIONS 11675 RIDGELINE DRIVE COLORADO SPRINGS, CO 80921		WWW.LIBAV.COM (800) 530-8998	
SCALE	None	TITLE: Assembly Specification CBL, ASY, VGA, PLN	
UNLESS OTHERWISE SPECIFIED TOLERANCES: x ±.015 xx ±.010 xxx ±.005 ANGLE ± 1°		PART NUMBER: D-INSTALL-CRP-XXX	DR: RP
SHEET 1/2	DWG. #: LWC-ASY-00358	CH: RP	AP: RP

REV	DESCRIPTION	DATE
0	ISSUE	04/01/11

PIN OUT (Video)



Manufacturing Bill of Materials

15	LAT-19-361-1	1	EA	Label, Self laminating
14	SM3/16-H	1	EA	Heat Shrink, Shmarker Gray H
13	SM3/16-V	1	EA	Heat Shrink, Shmarker Black V
12	SM3/16-R	1	EA	Heat Shrink, Shmarker Red
11	SM3/16-G	1	IN	Heat Shrink, Shmarker Green
10	SM3/16-B	1	EA	Heat Shrink, Shmarker Blue
9	MHR-BNC	5	EA	BNC Plug, 4-Pc MHR Crimp
8	FP-301-1/16BLK	2.75	IN	Heat Shrink, 1/16" 2:1 BLK
7	FP-301-3/8BLK	3	IN	Heat Shrink, 3/8" 2:1 BLK
6	EPS-200-1/2BLK	2	IN	Heat Shrink, 1/2" 2:1 ADH BLK
5	130-142	3.3	IN	Copper RF Tape
4	JUMPER WIRE	1	EA	24 AWG Copper wire 1"
3	MHDTZK9K	1	EA	DE09 Hood, Metal
2	PPEDHS-15P	1	EA	DE15 Plug, Nickel
1	RGB5C-PLN	***	IN	BULK Cable, MHR 5-Wire PLN
Item	P/N	QTY	UOM	DESCRIPTION

LIBERTY AV SOLUTIONS
 11675 RIDGELINE DRIVE
 COLORADO SPRINGS, CO 80921
 WWW.LIBAV.COM
 (800) 530-8998

SCALE: None
 TITLE: Assembly Specification
 CBL, ASY, VGA, PLN

PART NUMBER:
 D-INSTALL-CRP-XXX
 DR: RP
 CH: RP

UNLESS OTHERWISE SPECIFIED TOLERANCES:
 x ±.015 xx ±.010
 xxx ±.005 ANGLE ± 1°
 SHEET 2/2
 Dwg. #: LWC-ASY-00358
 AP: RP