

**INTERCOM BASE UNIT**

# **ITC-200B**



## **Quick Start Guide**



## Warnings and Precautions

1. Read all of these warnings and save them for later reference.
2. Follow all warnings and instructions marked on this unit.
3. Unplug this unit from the wall outlet before cleaning. Do not use liquid or aerosol cleaners. Use a damp cloth for cleaning.
4. Do not use this unit in or near water.
5. Do not place this unit on an unstable cart, stand, or table. The unit may fall, causing serious damage.
6. Slots and openings on the cabinet top, back, and bottom are provided for ventilation. To ensure safe and reliable operation of this unit, and to protect it from overheating, do not block or cover these openings. Do not place this unit on a bed, sofa, rug, or similar surface, as the ventilation openings on the bottom of the cabinet will be blocked. This unit should never be placed near or over a heat register or radiator. This unit should not be placed in a built-in installation unless proper ventilation is provided.
7. This product should only be operated from the type of power source indicated on the marking label of the AC adapter. If you are not sure of the type of power available, consult your Datavideo dealer or your local power company.
8. Do not allow anything to rest on the power cord. Do not locate this unit where the power cord will be walked on, rolled over, or otherwise stressed.
9. If an extension cord must be used with this unit, make sure that the total of the ampere ratings on the products plugged into the extension cord do not exceed the extension cord's rating.
10. Make sure that the total amperes of all the units that are plugged into a single wall outlet do not exceed 15 amperes.
11. Never push objects of any kind into this unit through the cabinet ventilation slots, as they may touch dangerous voltage points or short out parts that could result in risk of fire or electric shock. Never spill liquid of any kind onto or into this unit.
12. Except as specifically explained elsewhere in this manual, do not attempt to service this product yourself. Opening or removing covers that are marked "Do Not Remove" may expose you to dangerous voltage points or other risks, and will void your warranty. Refer all service issues to qualified service personnel.
13. Unplug this product from the wall outlet and refer to qualified service personnel under the following conditions:
  - a. When the power cord is damaged or frayed;
  - b. When liquid has spilled into the unit;
  - c. When the product has been exposed to rain or water;
  - d. When the product does not operate normally under normal operating conditions. Adjust only those controls that are covered by the operating instructions in this manual; improper adjustment of other controls may result in damage to the unit and may often require extensive work by a qualified technician to restore the unit to normal operation;
  - e. When the product has been dropped or the cabinet has been damaged;
  - f. When the product exhibits a distinct change in performance, indicating a need for service.

## Warranty

Datavideo warrants that the equipment it manufactures shall be free from defects in material and workmanship for a period of 12 months from the date of product purchased. If equipment fails due to such defects, Datavideo will, at its option, repair or provide a replacement for the defective part or product.

Equipment that fails after the warranty period, has been operated or installed in a manner other than that specified by Datavideo, or has been subjected to abuse or modification, will be repaired for time and material charges at the Buyer's expense. This warranty does not affect your statutory rights within the Country of purchase.

### For EU Customers only - WEEE Marking.



This symbol on the product indicates that it will not be treated as household waste. It must be handed over to the applicable take-back scheme for the recycling of electrical and electronic equipment. For more detailed information about the recycling of this product, please contact your local Datavideo office.

## Packing List

- 1 x HP-2 (two ears headset)
- 1 x Goose neck LED light
- 4 x Headphone
- 4 x ITC-100SL
- 1 x Tally LED TD-1 with Black Velcro
- 4 x XLR Cable + CON 20M
- 1 x AD Switch DC12V / 1.5A
- 1 x ITC-200B QSG

## **Introduction**

Communicating and directing multiple cameramen in order to capture the most excited and memorable performance and moment during a live show are the critical factors in determining the success of a video production. Datavideo is proud to introduce the ITC-200B, the Expandable Intercom Base Unit and ITC-200E, the Expansion Unit for supporting the base unit that allow director to communicate up to 16 scattering cameramen on the location.

## **Description**

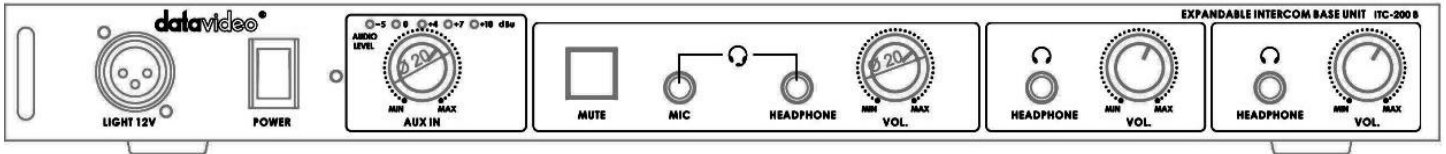
Both ITC-200B and ITC-200E are designed to be 19" Rack Mount, while ITC-200B is an 8 Way Intercom / Talkback System and ITC-200E is an expandable unit to combine with ITC-200B in becoming a 16 ways intercom system. The system acts as an effective inter-communication unit in a quite complicated production environment that provides bi-directional communication between the director and other members in the production team. Both units can also be a perfect fit for Datavideo's SE-900, the Digital SD Switcher, or third party switchers.

## **Features**

### **ITC-200B 1U 19" Rackmountable Base Unit for Director**

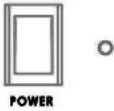
- ◆ Jack Socket 1/4' (6.3mm) for Headset with microphone
- ◆ Base Unit MUTE button for MIC
- ◆ X2, Jack Socket 1/4' (6.3mm) for Headphones without microphone
- ◆ Light port
- ◆ AUX In Audio level indicate
- ◆ Rear Panel 8x 5pin XLR connectors for cable connection to ITC-100SL Belt Packs,
- ◆ AUX In/Out , 2 x Tally input, cascade port, DC PWR port

# Front Panel



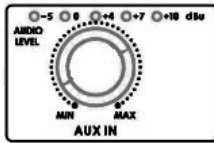
## 12V Light Socket

12V Powered light socket for gooseneck light (supplied).



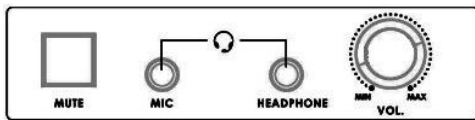
## On / Off Switch

Powers the ITC-200B On / Off. Red LED indicates that unit is switched on.



## AUX In Volume Control

Controls the Rear Panel AUX In Volume.



## MUTE Button

This button is mute the microphone audio.

## Microphone Socket

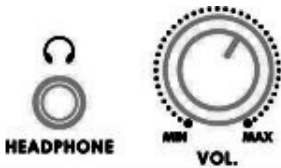
1/4" / 6.3mm Stereo Socket for combined Microphone Headset.

## Headphone Socket (main part)

1/4" / 6.3mm Stereo Headphone Socket for conventional headphones.

## Volume Control

Controls the Volume of the built-in speaker or outputs to the headphones or mic/headset according to what is connected



## (Headphone Socket & Volume Control) x2

The ITC-200 has two groups Headphone Socket & Volume Control, this two group's function is bypass from the main part.

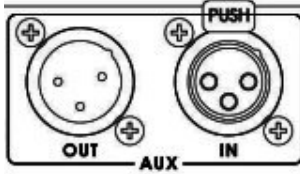
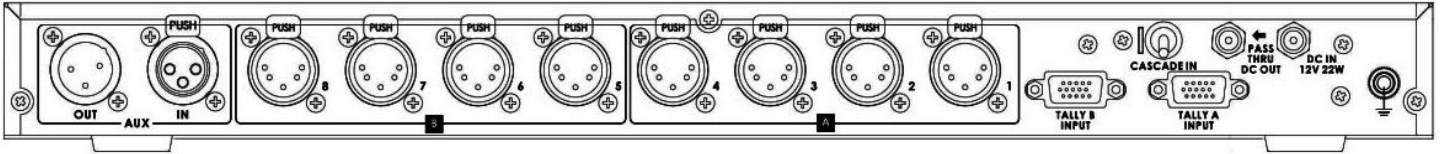
## Headphone Socket (main part)

1/4" / 6.3mm Stereo Headphone Socket for conventional headphones.

## Volume Control

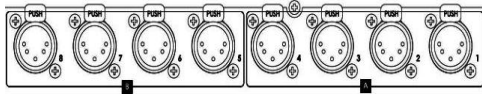
Controls the volume of the headphones.

# Rear Panel



## AUX IN / OUT

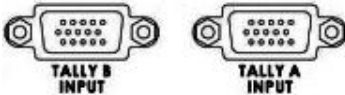
XLR stereo pair for a line level auxiliary analog audio source.



## Channel Input / Output XLR Sockets

Each of the 8 channels has an XLR connector that carries unidirectional signals between the ITC-200B and ITC-100SL.

All connections are contained within the one cable. Channels 1 ~ 4 are supplied tally light information from tally A; channels 5 ~ 8 are supplied tally light information from tally B.



## Tally Inputs A & B

Tally Inputs A & B are configured for direct connection to the Datavideo RMC-140, RMC-90 or SE-500.

They supply bi-color tally information to the ITC-100SL; RED indicates Live and AMBER indicates Cued. Tally A will feed information to channels 1 ~ 4 and Tally B will feed information to channels 5 ~ 8



## CASCADE IN

The ITC-200B CASCADE IN, Let you connect ITC-200E CASCADE OUT, after connect ITC-200B & ITC-200E, the ITC-200B can control ITC-200B & ITC-200E at same time.



## DC Power Input 12V

Connect the 12V power supply. The power supply plug has a screw in locking collar to secure the connection.

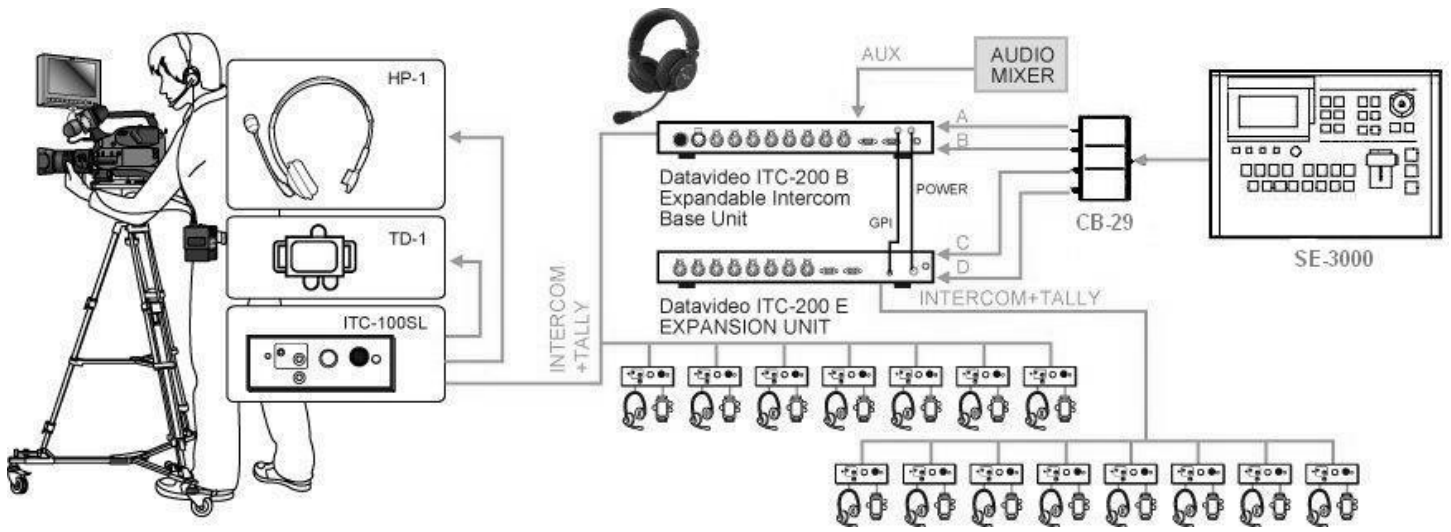
The ITC-200B power has one pass through DC output allow you connect the ITC-200E DC IN for ITC-200E power supply.



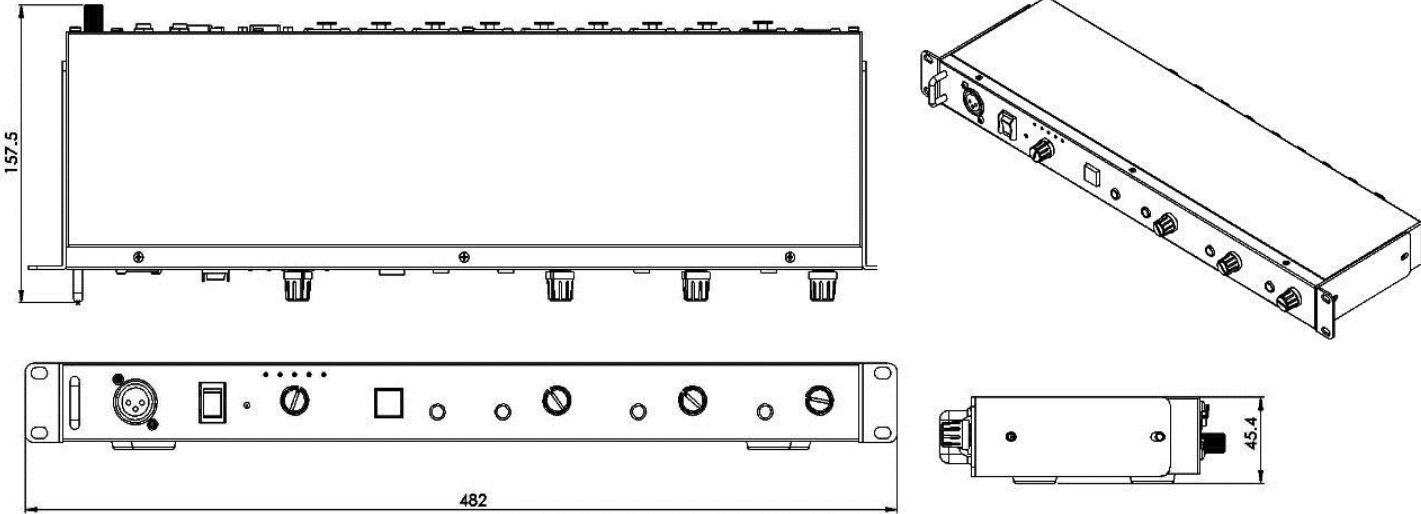
## Ground Terminal

When connecting this unit to any other component, make sure that it is properly grounded by connecting this terminal to an appropriate point. When connecting, use the socket and be sure to use wire with a cross-sectional area of at least 1.0 mm<sup>2</sup>.

# Application Diagram



# Dimension





## Specification

<b>INPUTS / OUTPUTS</b>	<b>POWER</b>	12V 1.5A (22W)
	<b>TALLY</b>	2 x 15 Pin Sub female Sockets for Tally A and Tally B
	<b>MIC / HEADSET</b>	6.5mm Stereo Jack Socket for combination Headphone / Microphone Headset Impedance 8~600 ohms 100mW(min)
	<b>HEADPHONE</b>	¼" (6.3mm) Stereo Headphone Socket Headset Impedance 8~600 ohms 100mW(min)
	<b>LIGHT SOCKET (12V DC)</b>	3 pin XLR connector. Pin2: 12V, Pin3: GND. Light power consumption 12V/100mA(max).
	<b>AUX IN / OUT</b>	3 PIN XLR connector
	<b>INTERCOM / TALLY OUTPUT</b>	CH1-8 ,5 PIN XLR Female connector
<b>FREQUENCY RESPONSE</b>		550-3.6KHz, < +/-3dB
<b>THD</b>		< 3%
<b>S/N</b>		> 50dB
<b>OPERATING RANGE</b>		Up to 200m between Base Station and Slave
<b>OPERATING TEMP. RANGE</b>		5 ~ 45°C
<b>DIMENSION</b>		W: 440mm x D: 130mm x H: 40mm(1U height 19" rack)

## Service & Support

It is our goal to make your products ownership a satisfying experience. Our supporting staff is available to assist you in setting up and operating your system. Please refer to our web site [www.datavideo-tek.com](http://www.datavideo-tek.com) for answers to common questions, support requests or contact your local office below.

Datavideo Global Website: [www.datavideo-tek.com](http://www.datavideo-tek.com)

### Datavideo Corporation

Tel: +1 562 696 2324	Fax: +1 562-698-6930	E-Mail: <a href="mailto:contactus@datavideo.us">contactus@datavideo.us</a>
----------------------	----------------------	--

### Datavideo Technologies Europe BV

Tel: +31-30-261-96-56	Fax: +31-30 261-96-57	E-Mail: <a href="mailto:service@datavideo.nl">service@datavideo.nl</a>
-----------------------	-----------------------	--

### Datavideo UK Limited

Tel: +44 1457 851 000	Fax: +44 1457 850 964	E-Mail: <a href="mailto:sales@datavideo.co.uk">sales@datavideo.co.uk</a>
-----------------------	-----------------------	--

### Datavideo Technologies Co., Ltd

Tel: +886 2 8227 2888	Fax: +886-2-8227-2777	E-mail: <a href="mailto:service@datavideo.com.tw">service@datavideo.com.tw</a>
-----------------------	-----------------------	--

### Datavideo Technologies China Co., Ltd

Tel: +86 21-5603 6599	Fax: +86 21-5603 6770	E-mail: <a href="mailto:service@datavideo.cn">service@datavideo.cn</a>
-----------------------	-----------------------	--

### Datavideo Technologies (S) PTE LTD

Tel: +65-6749 6866	Fax: +65-6749 3266	E-mail: <a href="mailto:service@datavideo.sg">service@datavideo.sg</a>
--------------------	--------------------	--

### Datavideo HK Limited.

Tel: +852 2833 1981	Fax: +852-2833-9916	E-mail: <a href="mailto:info@datavideo.com.hk">info@datavideo.com.hk</a>
---------------------	---------------------	--

### Datavideo France

Tel: +33 1 60 37 02 46	Fax: +33 1 60 37 67 32	E-Mail: <a href="mailto:info@datavideo.fr">info@datavideo.fr</a>
------------------------	------------------------	--

### Datavideo India

Tel: +91 120 4309120	Fax: +91 120 4309121	E-Mail: <a href="mailto:sales@datavideo.in">sales@datavideo.in</a>
----------------------	----------------------	--

All the trademarks are the properties of their respective owners.

Datavideo Technologies Co., Ltd. All rights reserved 2018

G082060627B1