



---

INSTRUCTION BOOK FOR  
Senior Electrol®

---



# Important Safety Instructions

When using your video equipment, basic safety precautions should always be followed, including the following:

1. Read and understand all instructions before using.
2. Position the cord so that it will not be tripped over, pulled, or contact hot surfaces.
3. If an extension cord is necessary, a cord with a current rating at least equal to that of the appliance should be used. Cords rated for less amperage than the appliance may overheat.
4. To reduce the risk of electric shock, do not disassemble this appliance. Contact an authorized service dealer when repair work is required. Incorrect reassembly can cause electric shock when the appliance is used subsequently.
5. The use of an accessory attachment not recommended by the manufacturer may cause a risk of fire, electric shock, or injury to persons.

## Pre-Installation

1. Carefully unpack screen and remove outer wrapping from case.
2. Remove instruction cover plate (Fig. 1). Do not remove metal shipping brace (secures roller), wrapping paper, or tape strips until screen is installed.
3. Make sure to recheck measurement of screen location before installation.

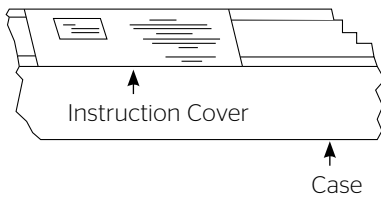


Figure 1

**NOTE:** Screen is not centered in box. Screen surface is set 18 $\frac{3}{8}$ " from motor end.

### Ironing Board

Some Senior Electrols, depending on size and type of picture surface, contain an ironing board to flatten the fabric (long strip attached). The ironing board is part of the screen. Do not remove or alter (Fig. 2).

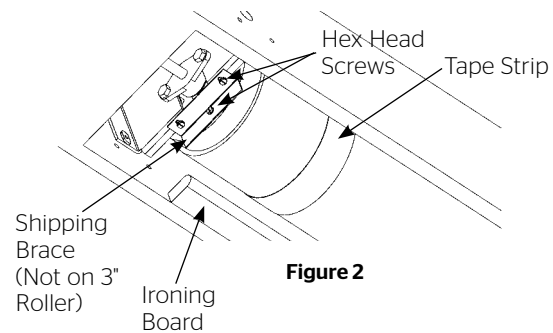
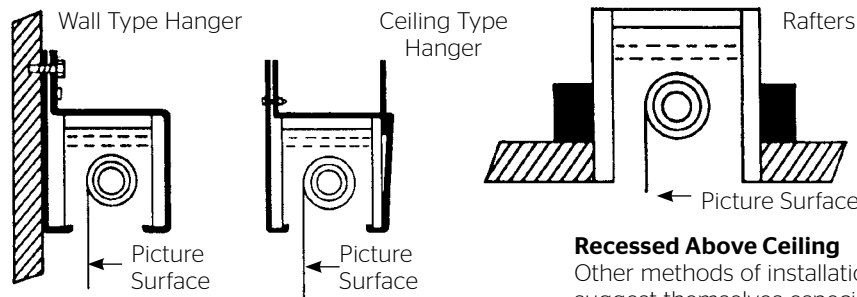


Figure 2

## Installation

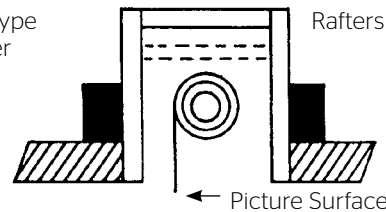
### Hangers (If required)

1. Make sure one hanger is approximately 25" from end of case (motor end).
2. Make sure second hanger is approximately 11  $\frac{1}{2}$ " from opposite end of case.
3. Place a third hanger on the center line of fabric.
4. Make sure hangers are placed to fit into notches provided on screens equipped with an ironing board.
5. Make sure hanger used on motor end does not interfere with motor access door.



### Wall or Ceiling Mount With Hangers

Wall Type Hangers with ceiling hanger adapters are standard equipment. For wall type, use wall hanger only. For ceiling type installation, use the wall type hanger and ceiling adapters as shown in Fig. 3 on page 4.



### Recessed Above Ceiling

Other methods of installation will no doubt suggest themselves especially in new buildings where it would be an easy matter to provide a recess for the screen to conceal it when not in use.

### Do Not Seal In-Allow Access.

### For Exposed Installation

If the screen is to be mounted in an exposed position, it may be covered with finished plywood, veneer paneling, plastic wall covering or a valance.

## Installation

---

**NOTE:** Unit is not to be installed in air handling space.

1. Level unit lengthwise with a carpenter's level and plumb level.

**⚠ CAUTION! Do not completely seal in unit. Access room must be allowed for motor repair or fabric replacement.**

2. Remove shipping brace by removing 3 hex head screws (Fig. 2).

**⚠ CAUTION! Do not cut wrapping paper or tape with knife or any sharp tool. Remove by hand.**

3. Remove wrapping paper and tape strips (Fig. 2).
4. Install electrical hook up that applies to your unit. Make sure to review your Electrical Installation Checklists and wiring diagrams (included) for either 120 volt switch, 220/240 volt switch, or DRC low voltage control. Unit should be installed by a qualified electrician.

**NOTE:** Must be installed in accordance with the requirements of the Local Building Codes, the Canadian Electrical Code (CEC), CAN/CSA C22.1 and the National Electric Code (NEC), NFPA 70.

5. Test installation by carefully running surface up and down several times. Be prepared to stop screen.
6. Check for satisfactory condition by running screen a few times.

**NOTE:** The picture surface, when rolled down, should have a full wrap around the roller. Do not allow any part of the roller to become exposed.

## Screen Adjustment

---

Surface travel is stopped automatically in the fully opened and closed positions by limit switches that are properly adjusted at Da-Lite. Should it be necessary to adjust for more or less drop of picture (viewing area), proceed in the following manner:

### More Screen Drop

1. Place operating switch in **"down"** position.
2. When the screen stops, turn the **"down"** limit knob one-quarter turn clockwise.
3. Test by raising picture surface approximately two feet, then lower again. Repeat until desired drop is attained.

**⚠ CAUTION! When screen is in bottom position, do not adjust for more than 3" of additional drop. Roller should not be exposed.**

### Less Screen Drop

1. Raise picture surface approximately two feet above desired level.
2. Place operating switch in **"off"** position.
3. Turn the **"down"** limit knob one-quarter turn counterclockwise.
4. Test by raising and lowering picture surface.
5. Repeat steps 3 and 4 until desired drop is attained.

**NOTE:** Limit "down" switch knob controls stopping point of picture surface in bottom position.  
Limit "up" switch knob controls stopping point of picture surface inside case.

# Picture Surface Rolled Up Or Closed Position

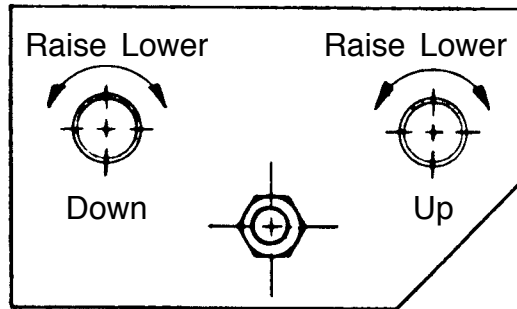
**NOTE:** Adjustments should not be necessary to screen in the rolled up or closed position. If necessary, use the following procedures:

## Picture Surface Rolls Too Far Into Case

1. Lower picture surface approximately two feet with operating switch.
2. Place operating switch in "off" position.
3. Turn the "up" limit knob one-quarter turn clockwise.
4. Press operating switch to raise picture surface. Repeat operation if picture surface continues to roll too far into case.

## Picture Surface Does Not Roll Completely Into Case

1. Place operating switch in "up" position.
2. Turn the "up" limit knob one-quarter turn counterclockwise.
3. Test by lowering picture surface approximately two feet with operating switch, then raise picture. Repeat operation if desired position is not reached.



## Senior Electrol® Instructions

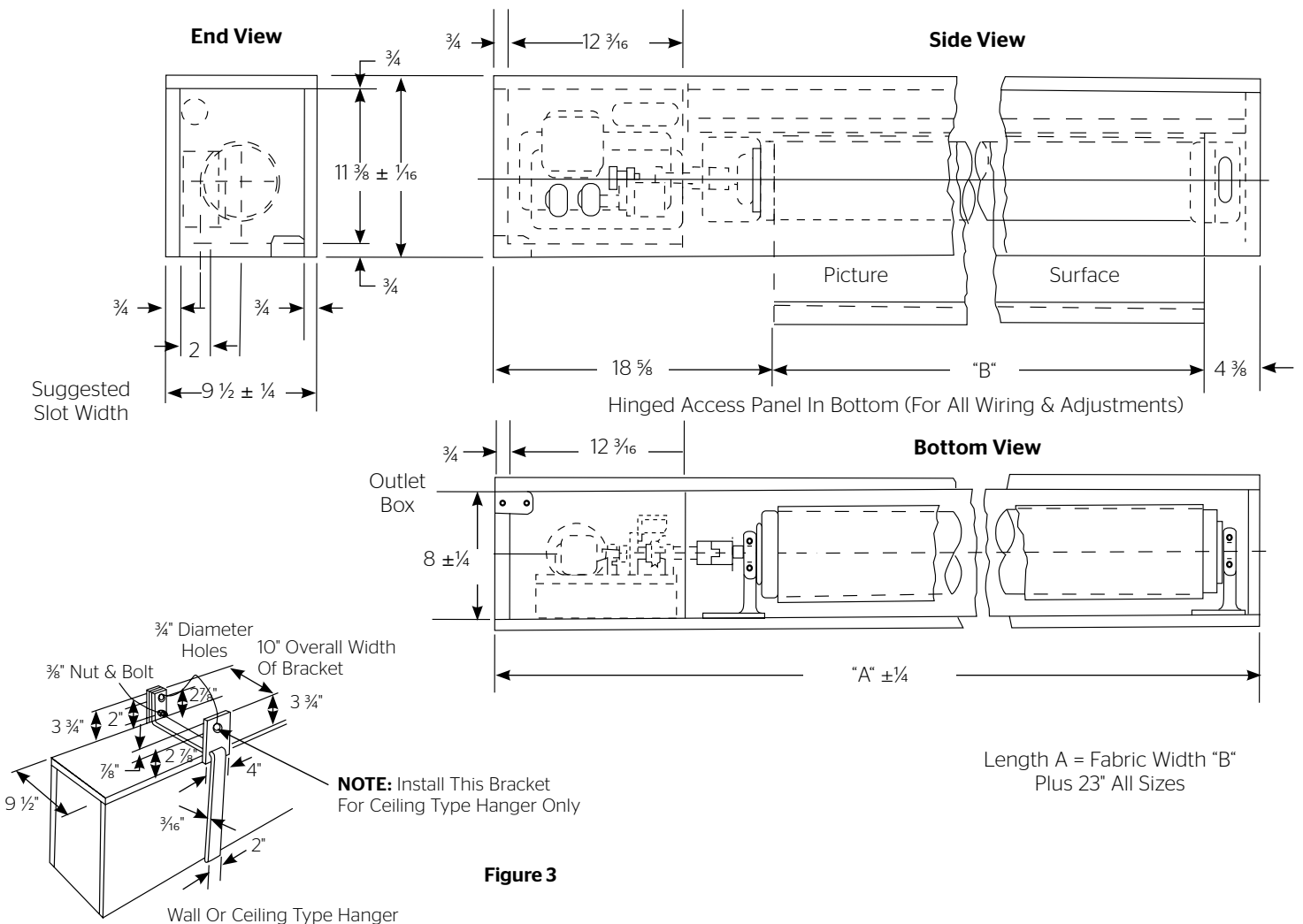
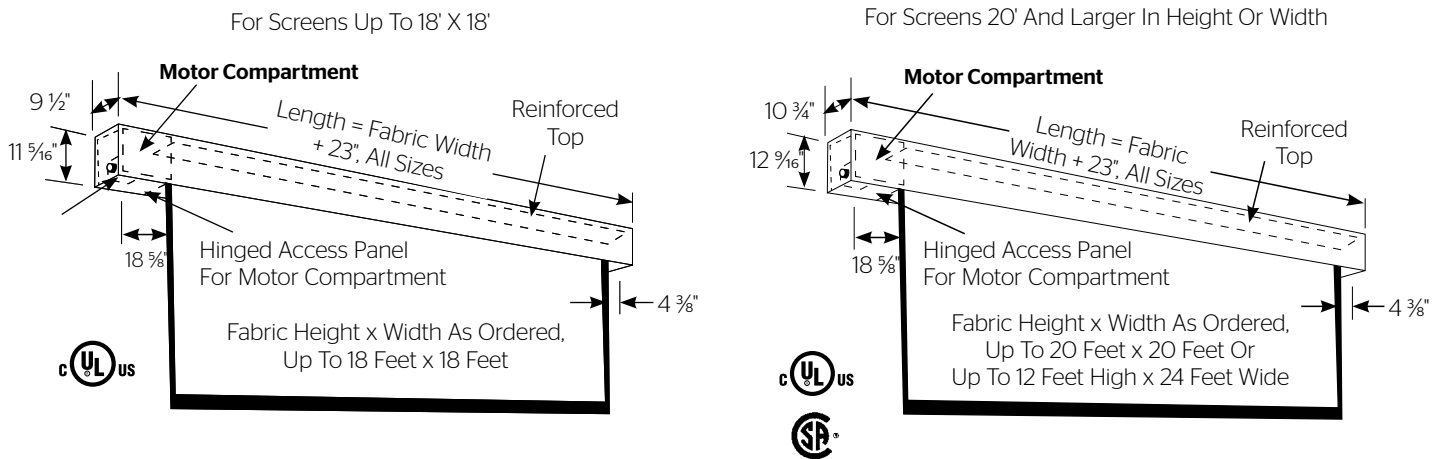


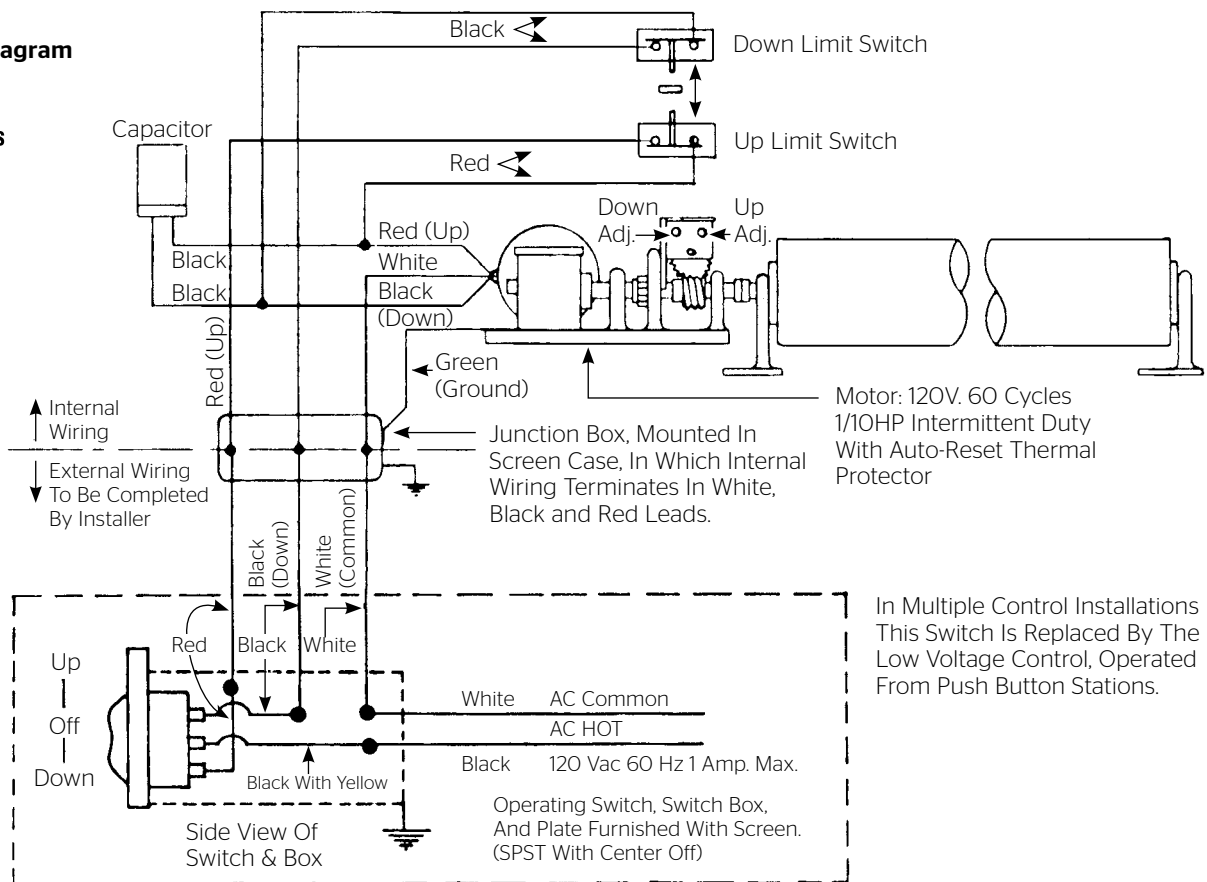
Figure 3

# Senior Electrol® Instructions



# Senior Electrol® Installation

## 120V Wiring Diagram



## 240 Volt Wiring Diagram For Standard Wall Switch:

Da-Lite offers two styles of 240 volt wall switches for standard operation. Please see wiring diagram included in wall switch box included with screen.

# Troubleshooting

Visit [www.da-lite.com/products/tutorials.php](http://www.da-lite.com/products/tutorials.php) to find installation and troubleshooting tutorials. You will also find a link to Live Chat for interactive support and you can contact us by email at

[info@da-lite.com](mailto:info@da-lite.com) or by phone at (800) 622-3737 or (574) 267-8101 with any troubleshooting questions.

Symptom	Cause	Solution
<b>Screen will not operate and motor does not hum.</b>	Blown fuse.	Replace fuse.
	Tripped circuit breaker.	Reset circuit breaker.
	Improper wiring to operating switch.	Tighten all loose wire connections. Correct any improper connections. Check for power. "Down" Position Check for power across black and white leads. "Up" Position Check for power across red and white leads.
	Improper wiring to junction box in screen.	"Down" Position Check for power at black and white leads. "Up" Position Check for power at red and white leads.
	Thermal overload tripped (excessive overheating).	Let motor cool down for 15 minutes. Try again.
	Burned out motor winding.	Disconnect motor leads and check for continuity between black and white wires for "down" position. Check for continuity between red and white wires for "up" position. Replace gear motor if either combination shows an open circuit.
	Defective limit switch	Disconnect "down" limit switch from circuit. Check for continuity. Switches are normally closed and open on contact.
<b>Motor hums.</b>	Temporary binding.	With power "off," turn roller by hand to free binding.
	Shipping bracket not removed.	Remove shipping bracket and wooden wedge.
	Defective capacitor.	Replace capacitor.

# Troubleshooting

Symptom	Cause	Solution
Screen will not move "up."  Motor does not hum.  Motor hums.	Blown fuse or tripped circuit breaker.	Replace fuse or reset circuit breaker.
	No power between red and white leads in junction box.	Correct improper wiring.
	Thermal overload tripped.	Let motor cool for 15 minutes. Try again.
	Burned out motor winding.	Check for power between red and white motor leads. Replace motor if there is power.
	Temporary binding.	With power off, turn roller by hand to free binding.
Motor hums.	Burned out capacitor.	Replace capacitor.
	Broken wire or loose connection in "up" position circuit.	Secure connection or replace wire.
Scraping or grinding noise.	If metal shipping bracket is left attached to screen, it may be rubbing on motor end of roller.	Remove shipping bracket.
Gear noise.	Gear may need lubrication.	Apply grease.
Fabric rubbing.	Normal condition. <b>NOTE: Screens with ironing boards have fabric that drags across the board.</b>	
Incorrect stopping point in upward position.	Lost roller wrap.	Lift bottom edge up and over roller.
	Limit switch out of adjustment.	See installation instructions.
Incorrect stopping point in downward direction.	Lost roller wrap.	See above.
	Limit switch out of adjustment.	See installation instructions.
Inconsistent stopping points.	Limit switch travel plate not moving.	Tighten set screws located on nylon gears (drives limit switch).
	Excessive end play in lead screw of limit switch assembly.	Tighten nut between adjusting knobs. Tighten lead screw of limit switch.
Screen does not stop going up or down.	Limit switch assembly paddle damaged or is out of place.	Remove and check limit switch assembly. Repair or replace as necessary.

## LIMITED ONE YEAR WARRANTY ON DA-LITE PRESENTATION PRODUCTS

Milestone AV Technologies LLC warrants certain Da-Lite branded products to the original purchaser only, to be free from defects in materials and workmanship for a period of one (1) year from the date of purchase by the original purchaser; provided they are properly operated according to Da-Lite's instructions and are not damaged due to improper handling or treatment after shipment from the factory.

This warranty does not apply to equipment showing evidence of misuse, abuse or accidental damage, or which has been tampered with or repaired by a person other than authorized Da-Lite personnel.

Da-Lite's sole obligation under this warranty shall be to repair or to replace (at Da-Lite's option) the defective part of the merchandise. Returns for service should be made to your Da-Lite dealer. If it is necessary for the dealer to return the screen or part to Da-Lite, transportation expenses to and from Da-Lite are payable by the purchaser and Da-Lite is not responsible for damage in shipment. To protect yourself against damage or loss in transit, insure the product and prepay all transportation expenses.

**TO THE MAXIMUM EXTENT PERMITTED BY APPLICABLE LAW, THIS WARRANTY IS IN LIEU OF ALL OTHER WARRANTIES, EXPRESS OR IMPLIED, INCLUDING WARRANTIES AS TO FITNESS FOR USE AND MERCHANTABILITY.** Any implied warranties of fitness for use, or merchantability, that may be mandated by statute or rule of law are limited to the one (1) year warranty period. This warranty gives you specific legal rights, and you may also have other rights, which vary from state-to-state. **TO THE MAXIMUM EXTENT PERMITTED BY APPLICABLE LAW, NO LIABILITY IS ASSUMED FOR EXPENSES OR DAMAGES RESULTING FROM INTERRUPTION IN OPERATION OF EQUIPMENT, OR FOR INCIDENTAL, DIRECT, OR CONSEQUENTIAL DAMAGES OF ANY NATURE.**

In the event that there is a defect in materials or workmanship of a Da-Lite product, you may contact our Sales Partners at PO Box 137, Warsaw, IN 46581-0137, (574) 267-8101, (800) 622-3737.

**IMPORTANT: THIS WARRANTY SHALL NOT BE VALID AND DA-LITE BRANDED PRODUCTS SHALL NOT BE BOUND BY THIS WARRANTY IF THE PRODUCT IS NOT OPERATED IN ACCORDANCE WITH THE DA-LITE WRITTEN INSTRUCTIONS.**

Keep your sales receipt to prove the date of purchase and your original ownership.



A Milestone AV Technologies Brand

3100 North Detroit Street  
Warsaw, Indiana 46582  
P: 574.267.8101 or 800.622.3737  
F: 574.267.7804 or 877.325.4832  
E: info@da-lite.com  
www.da-lite.com

DL-0255 12.13

© 2013 Milestone AV Technologies LLC. Printed in U.S.A.

46490